

## FOREWORD

This wiring diagram manual has been prepared to provide information on the electrical system of the 2004 IS 300.

Applicable models: JCE10 Series

For service specifications and repair procedures of the above models other than those listed in this manual, refer to the following manuals;

Manual Name	Pub. No.
• 2003 LEXUS IS 300 Repair Manual Volume 1 Volume 2	RM1054U1 RM1054U2
• 2003 LEXUS New Car Features	NCF259U

All information in this manual is based on the latest product information at the time of publication. However, specifications and procedures are subject to change without notice.

**TOYOTA MOTOR CORPORATION**

### NOTICE

When handling supplemental restraint system components (removal, installation or inspection, etc.), always follow the direction given in the repair manuals listed above to prevent accidents and supplemental restraint system malfunction.

# 2004 IS 300 ELECTRICAL WIRING DIAGRAM

	Section Code	Page
INTRODUCTION .....	A	2
HOW TO USE THIS MANUAL .....	B	3
TROUBLESHOOTING .....	C	12
ABBREVIATIONS .....	D	17
GLOSSARY OF TERMS AND SYMBOLS .....	E	18
RELAY LOCATIONS .....	F	20
ELECTRICAL WIRING ROUTING .....	G	32
SYSTEM CIRCUITS .....	H	54
GROUND POINT .....	I	292
POWER SOURCE (Current Flow Chart) .....	J	300
CONNECTOR LIST .....	K	308
PART NUMBER OF CONNECTORS .....	L	318
OVERALL ELECTRICAL WIRING DIAGRAM .	M	322

= 2003 TOYOTA MOTOR CORPORATION  
All rights reserved. This book may not be reproduced or copied, in whole or in part, without the written permission of Toyota Motor Corporation.

# A INTRODUCTION

This manual consists of the following 13 sections:

No.	Section	Description
A	INDEX	Index of the contents of this manual.
	INTRODUCTION	Brief explanation of each section.
B	HOW TO USE THIS MANUAL	Instructions on how to use this manual.
C	TROUBLE-SHOOTING	Describes the basic inspection procedures for electrical circuits.
D	ABBREVIATIONS	Defines the abbreviations used in this manual.
E	GLOSSARY OF TERMS AND SYMBOLS	Defines the symbols and functions of major parts.
F	RELAY LOCATIONS	Shows position of the Electronic Control Unit, Relays, Relay Block, etc. This section is closely related to the system circuit.
G	ELECTRICAL WIRING ROUTING	Describes position of Parts Connectors, Splice points, Ground points, etc. This section is closely related to the system circuit.
H	INDEX	Index of the system circuits.
	SYSTEM CIRCUITS	Electrical circuits of each system are shown from the power supply through ground points. Wiring connections and their positions are shown and classified by code according to the connection method. (Refer to the section, "How to use this manual"). The "System Outline" and "Service Hints" useful for troubleshooting are also contained in this section.
1	GROUND POINT	Shows ground positions of all parts described in this manual.
J	POWER SOURCE (Current Flow Chart)	Describes power distribution from the power supply to various electrical loads.
K	CONNECTOR LIST	Describes the form of the connectors for the parts appeared in this book. This section is closely related to the system circuit.
L	PART NUMBER OF CONNECTORS	Indicates the part number of the connectors used in this manual.
M	OVERALL ELECTRICAL WIRING DIAGRAM	Provides circuit diagrams showing the circuit connections.

## HOW TO USE THIS MANUAL B

This manual provides information on the electrical circuits installed on vehicles by dividing them into a circuit for each system.

The actual wiring of each system circuit is shown from the point where the power source is received from the battery as far as each ground point. (All circuit diagrams are shown with the switches in the OFF position.)

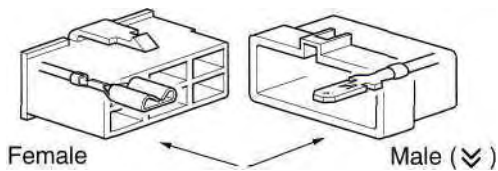
When troubleshooting any problem, first understand the operation of the circuit where the problem was detected (see System Circuit section), the power source supplying power to that circuit (see Power Source section), and the ground points (see Ground Point section). See the System Outline to understand the circuit operation.

When the circuit operation is understood, begin troubleshooting of the problem circuit to isolate the cause. Use Relay Location and Electrical Wiring Routing sections to find each part, junction block and wiring harness connectors, wiring harness and wiring harness connectors, splice points, and ground points of each system circuit. Internal wiring for each junction block is also provided for better understanding of connection within a junction block.

Wiring related to each system is indicated in each system circuit by arrows (from\_\_, to\_\_). When overall connections are required, see the Overall Electrical Wiring Diagram at the end of this manual.



- [A]** : System Title
- [B]** : Indicates a Relay Block. No shading is used and only the Relay Block No. is shown to distinguish it from the J/B  
Example: ① Indicates Relay Block No.1
- [C]** : ( ) is used to indicate different wiring and connector, etc. when the vehicle model, engine type, or specification is different.
- [D]** : Indicates related system.
- [E]** : Indicates the wiring harness and wiring harness connector. The wiring harness with male terminal is shown with arrows (↘).  
Outside numerals are pin numbers.

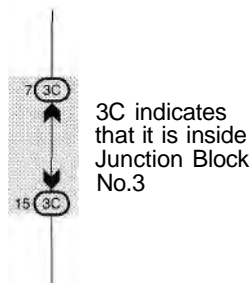


The first letter of the code for each wiring harness and wiring harness connector(s) indicates the component's location, e.g, "E" for the Engine Compartment, "I" for the Instrument Panel and Surrounding area, and "B" for the Body and Surrounding area.

When more than one code has the first and second letters in common, followed by numbers (e.g, IH1, IH2), this indicates the same type of wiring harness and wiring harness connector.

- [F]** : Represents a part (all parts are shown in sky blue). The code is the same as the code used in parts position.
- [G]** : Junction Block (The number in the circle is the J/B No. and the connector code is shown beside it). Junction Blocks are shaded to clearly separate them from other parts.

Example:

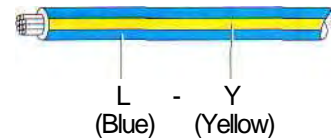


- [H]** : When 2 parts both use one connector in common, the parts connector name used in the wire routing section is shown in square brackets [ ].

- [I]** : Indicates the wiring color.  
Wire colors are indicated by an alphabetical code.  
B = Black    W = White    BR = Brown  
L = Blue    V = Violet    SB = Sky Blue  
R = Red    G = Green    LG = Light Green  
p = Pink    Y = Yellow    GR = Gray  
O = Orange

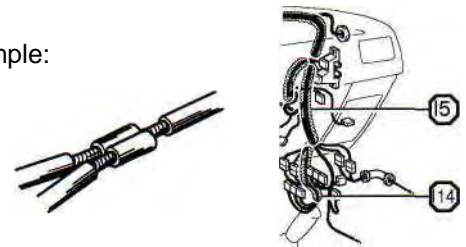
The first letter indicates the basic wire color and the second letter indicates the color of the stripe.

Example: L - Y



- [J]** : Indicates a wiring Splice Point (Codes are "E" for the Engine Room, "I" for the Instrument Panel, and "B" for the Body).

Example:



The Location of splice Point I 5 is indicated by the shaded section.

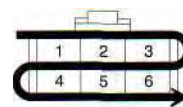
- [K]** : Indicates a shielded cable.



- [L]** : Indicates the pin number of the connector. The numbering system is different for female and male connectors.

Example: Numbered in order from upper left to lower right

Numbered in order from upper right to lower left



Female



Male

- [M]** : Indicates a ground point.

The first letter of the code for each ground point(s) indicates the component's location, e.g, "E" for the Engine Compartment, "I" for the Instrument Panel and Surrounding area, and "B" for the Body and Surrounding area.

- [N]** : Page No.

## B HOW TO USE THIS MANUAL

### [O] SYSTEM OUTLINE

Current is applied at all times through the STOP fuse to TERMINAL 2 of the stop light SW.  
When the ignition SW is turned on, current flows from the GAUGE fuse to TERMINAL 8 of the light failure sensor, and also flows through the rear lights warning light to TERMINAL 4 of the light failure sensor.

#### STOP LIGHT DISCONNECTION WARNING

When the ignition SW is turned on and the brake pedal is pressed (Stop light SW on), if the stop light circuit is open, the current flowing from TERMINAL 7 of the light failure sensor to TERMINALS 1, 2 changes, so the light failure sensor detects the disconnection and the warning circuit of the light failure sensor is activated.

As a result, the current flows from TERMINAL 4 of the light failure sensor to TERMINAL 11 to GROUND and turns the rear lights warning light on. By pressing the brake pedal, the current flowing to TERMINAL 8 of the light failure sensor keeps the warning circuit on and holds the warning light on until the ignition SW is turned off.

### [P] SERVICE HINTS

#### S6 STOP LIGHT SW

2-1 : Closed with the brake pedal depressed

#### L4 LIGHT FAILURE SENSOR

- 1, 2, 7-GROUND : Approx. 12 volts with the stop light SW on
- 4, 8-GROUND : Approx. 12 volts with the ignition SW at **ON** position
- 11-GROUND : Always continuity

### [Q] ○ : PARTS LOCATION

Code	See Page	Code	See Page	Code	See Page
C7	34	L4	36	R7	37
H17	36	R6	37	S6	35

### [R] ○ : RELAY BLOCKS

Code	See Page	Relay Blocks (Relay Block Location)
1	18	R/B No.1 (Instrument Panel Left)

### [S] ○ : JUNCTION BLOCK AND WIRE HARNESS CONNECTOR

Code	See Page	Junction Block and Wire Harness (Connector Location)
IB	20	Instrument Panel Wire and Instrument Panel J/B (Lower Finish Panel)
3C	22	Instrument Panel Wire and J/B No.3 (Instrument Panel Left Side)

### [T] □ : CONNECTOR JOINING WIRE HARNESS AND WIRE HARNESS

Code	See Page	Joining Wire Harness and Wire Harness (Connector Location)
IE1	42	Floor Wire and Instrument Panel Wire (Left Kick Panel)
BV1	50	Luggage Room Wire and Floor Wire (Luggage Compartment Left)

### [U] ▽ : GROUND POINTS

Code	See Page	Ground Points Location
BL	50	Under the Left Quarter Pillar
BO	50	Back Panel Center

### [V] ○ : SPLICE POINTS

Code	See Page	Wire Harness with Splice Points	Code	See Page	Wire Harness with Splice Points
I5	44	Cowl Wire	B18	50	Luggage Room Wire

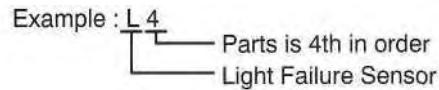
[O]: Explains the system outline.

[P] : Indicates values or explains the function for reference during troubleshooting.

[Q]: Indicates the reference page showing the position on the vehicle of the parts in the system circuit.

Example : Part "L4" (Light Failure Sensor) is on page 36 of the manual.

\* The letter in the code is from the first letter of the part, and the number indicates its order in parts starting with that letter.



[R] : Indicates the reference page showing the position on the vehicle of Relay Block Connectors in the system circuit.

Example : Connector "1" is described on page 18 of this manual and is installed on the left side of the instrument panel.

[S] : Indicates the reference page showing the position on the vehicle of J/B and Wire Harness in the system circuit.

Example : Connector "3C" connects the Instrument Panel Wire and J/B No.3. It is described on page 22 of this manual, and is installed on the instrument panel left side.

[T] : Indicates the reference page describing the wiring harness and wiring harness connector (the female wiring harness is shown first, followed by the male wiring harness).

Example : Connector "IE1" connects the floor wire (female) and Instrument panel wire (male). It is described on page 42 of this manual, and is installed on the left side kick panel.

[U] : Indicates the reference page showing the position of the ground points on the vehicle.

Example : Ground point "BO" is described on page 50 of this manual and is installed on the back panel center.

[V] : Indicates the reference page showing the position of the splice points on the vehicle.

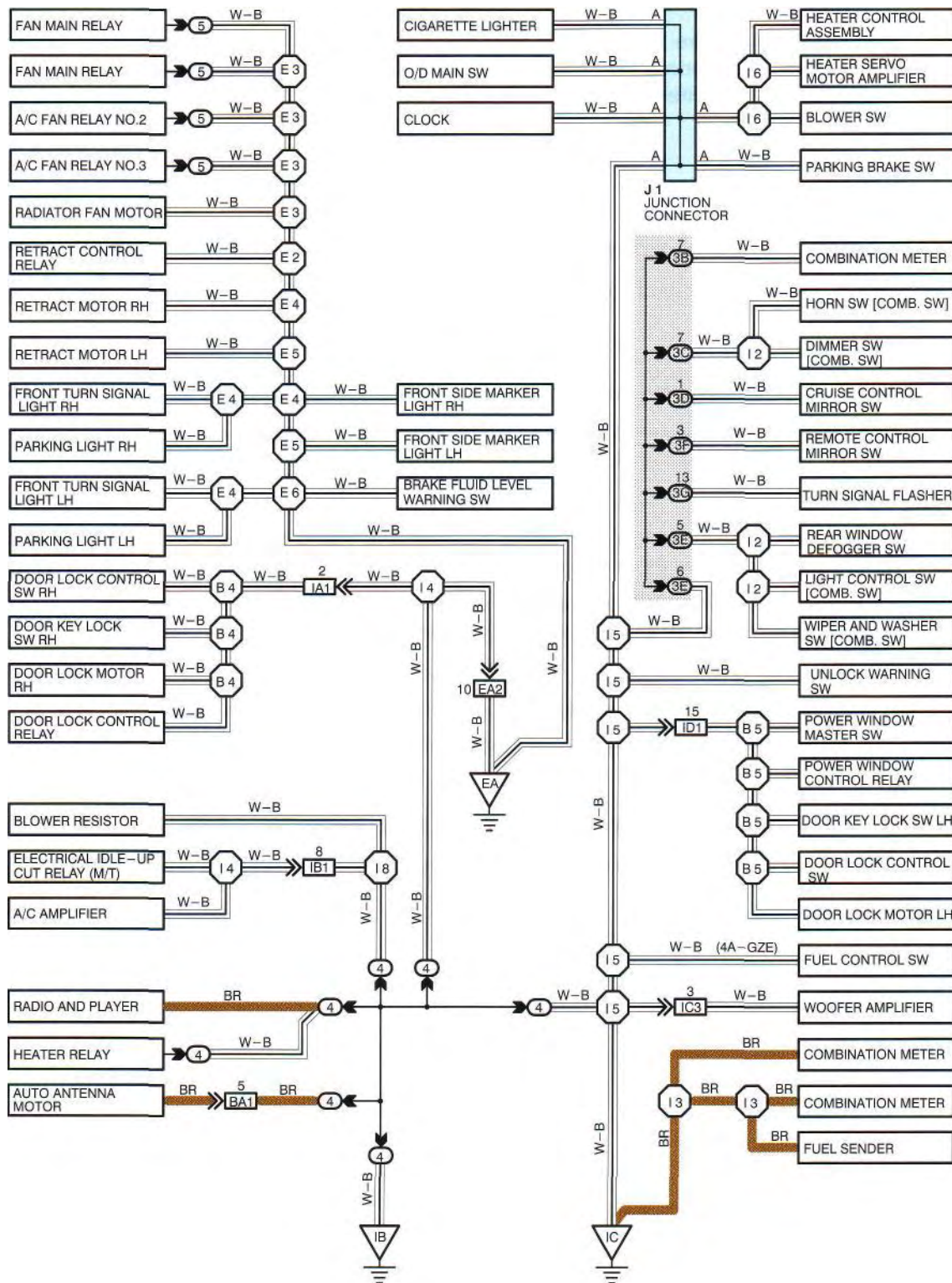
Example : Splice point "I5" is on the Cowl Wire Harness and is described on page 44 of this manual.



## B HOW TO USE THIS MANUAL

The ground points circuit diagram shows the connections from all major parts to the respective ground points. When troubleshooting a faulty ground point, checking the system circuits which use a common ground may help you identify the problem ground quickly. The relationship between ground points ( $\nabla_{EA}$ ,  $\nabla_{IB}$  and  $\nabla_{IC}$  shown below) can also be checked this way.

### I GROUND POINT

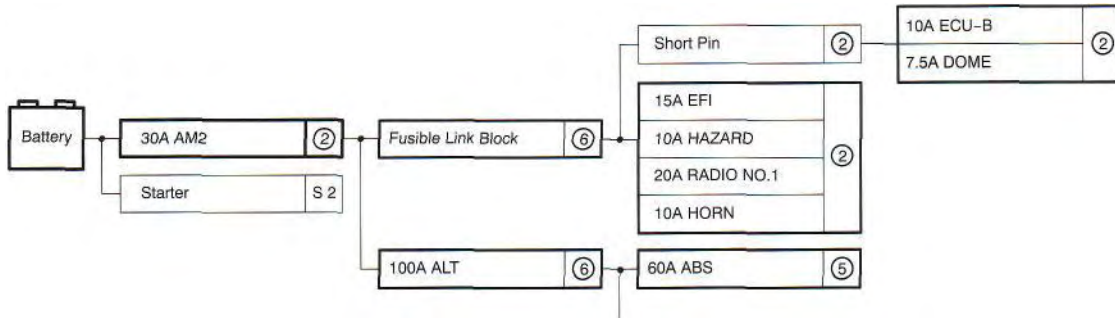


The system shown here is an EXAMPLE ONLY. It is different to the actual circuit shown in the SYSTEM CIRCUITS SECTION.

The "Current Flow Chart" section, describes which parts each power source (fuses, fusible links, and circuit breakers) transmits current to. In the Power Source circuit diagram, the conditions when battery power is supplied to each system are explained. Since all System Circuit diagrams start from the power source, the power source system must be fully understood.

## J POWER SOURCE (Current Flow Chart)

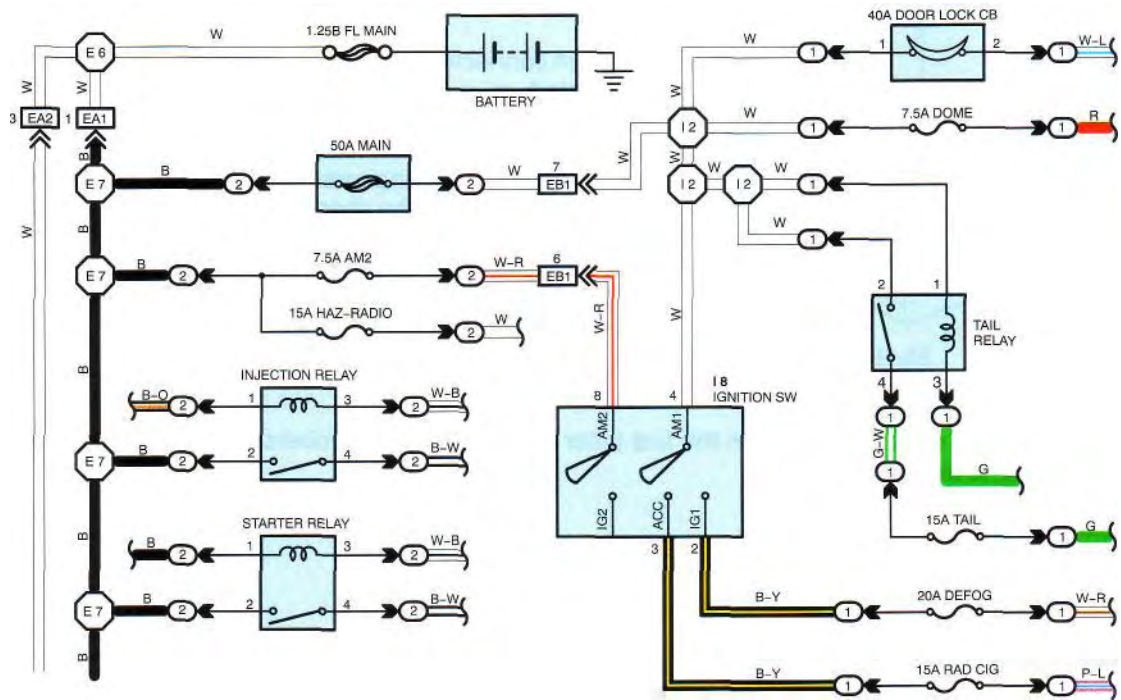
The chart below shows the route by which current flows from the battery to each electrical source (Fusible Link, Circuit Breaker, Fuse, etc.) and other parts.



Engine Room R/B (See Page 20)

Fuse	System	Page
20A STOP	ABS	194
	ABS and Traction Control	187
	Cruise Control	180
	Electronically Controlled Transmission and A/T Indicator	166
	Multiplex Communication System	210
10A DOME	Cigarette Lighter and Clock	214
	Combination Meter	230
	Headlight	112
	Interior Light	122
	Key Reminder and Seat Belt Warning	
	Light Auto Turn Off	

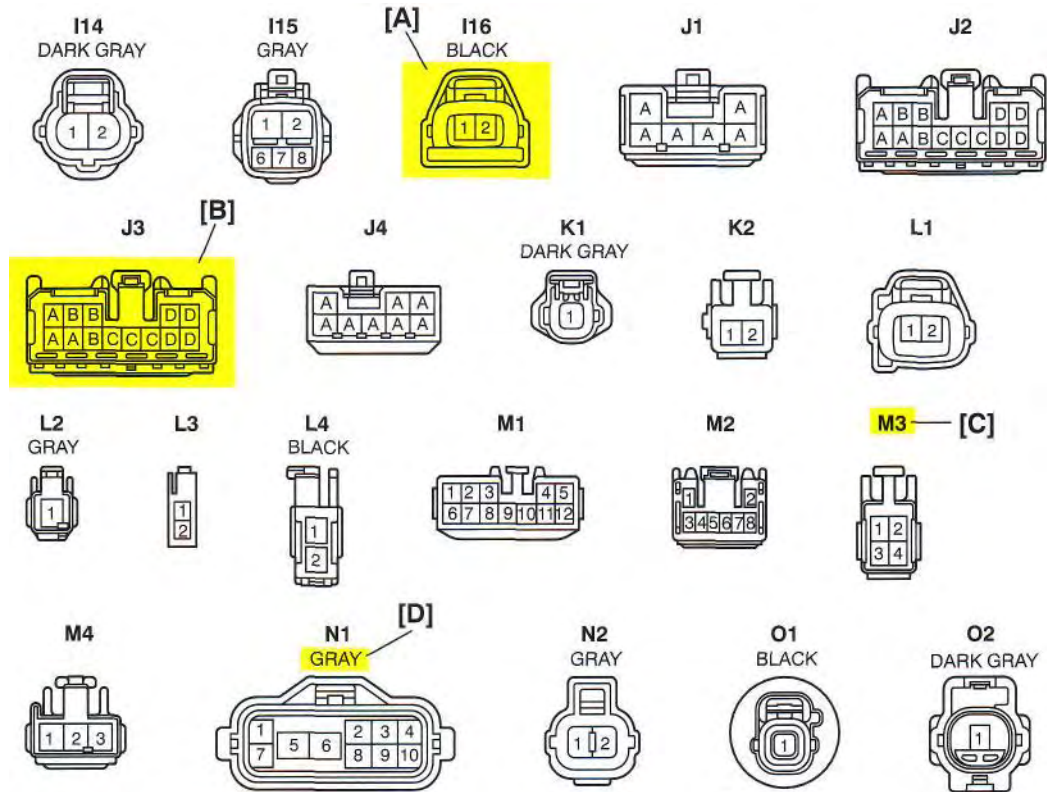
## POWER SOURCE



The system shown here is an EXAMPLE ONLY. It is different to the actual circuit shown in the SYSTEM CIRCUITS SECTION.

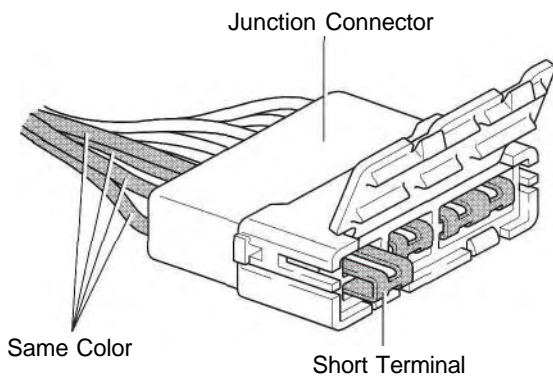
## B HOW TO USE THIS MANUAL

### K CONNECTOR LIST



[A] : Indicates connector to be connected to a part. (The numeral indicates the pin No.)

[B] : Junction Connector  
Indicates a connector which is connected to a short terminal.



Junction connector in this manual include a short terminal which is connected to a number of wire harnesses. Always perform inspection with the short terminal installed. (When installing the wire harnesses, the harnesses can be connected to any position within the short terminal grouping. Accordingly, in other vehicles, the same position in the short terminal may be connected to a wire harness from a different part.)

Wire harness sharing the same short terminal grouping have the same color.

[C] : Parts Code  
The first letter of the code is taken from the first letter of part, and the numbers indicates its order in parts which start with the same letter.

[D] : Connector Color  
Connectors not indicated are milky white in color.

## L PART NUMBER OF CONNECTORS

Code	Part Name	Part Number	Code	Part Name	Part Number
A 1	A/C Ambient Temp. Sensor	90980-11070	D 4	Diode (Door Courtesy Light)	90980-11608
A 2	A/C Condenser Fan Motor	90980-11237	D 5	Diode (Key Off Operation)	90980-10962
A 3	A/C Condenser Fan Relay	90980-10940	D 6	Diode (Luggage Compartment Light)	90980-11608
A 4	A/C Triple Pressure SW (A/C Dual and Single Pressure SW)	90980-10943	D 7	Door Lock Control Relay	90980-10848
[A]	A/T Oil Temp. Sensor [B]	90980-11143	D 8	Door Courtesy Light LH	90980-11148
A 6	ABS Actuator	90980-11151	D 9	Door Courtesy Light RH	90980-11097
A 7	ABS Actuator	90980-11009	D10	Door Courtesy SW LH	
A 8	ABS Speed Sensor Front LH	90980-10941	D11	Door Courtesy SW RH	90980-11156
A 9	ABS Speed Sensor Front RH	90980-11002	D12	Door Courtesy SW Front LH	
A10	Airbag Sensor Front LH	90980-11856	D13	Door Courtesy SW Front RH	
A11	Airbag Sensor Front RH		D14	Door Courtesy SW Rear LH	
A12	Airbag Sensor Rear LH	90980-11194	D15	Door Courtesy SW Rear RH	
		90980-11170	D16	Door Unlock SW LH	90980-11170

[A] : Part Code

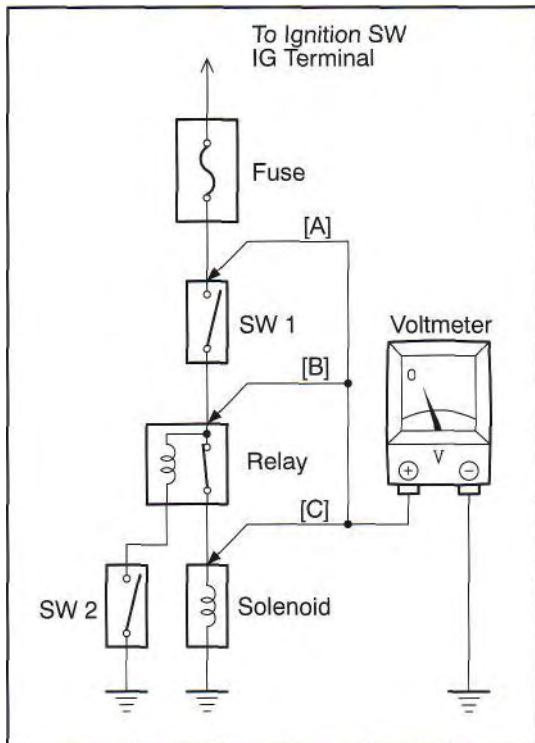
[B] : Part Name

[C] : Part Number

Toyota Part Number are indicated.

Not all of the above part numbers of the connector are established for the supply.

## C TROUBLESHOOTING



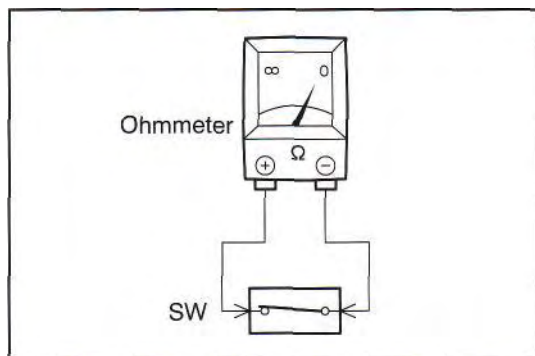
### VOLTAGE CHECK

- (a) Establish conditions in which voltage is present at the check point.

Example:

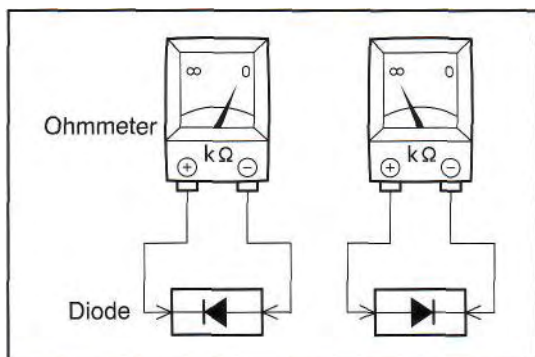
- [A] - Ignition SW on
- [B] - Ignition SW and SW 1 on
- [C] - Ignition SW, SW 1 and Relay on (SW 2 off)

- (b) Using a voltmeter, connect the negative lead to a good ground point or negative battery terminal, and the positive lead to the connector or component terminal. This check can be done with a test light instead of a voltmeter.



### CONTINUITY AND RESISTANCE CHECK

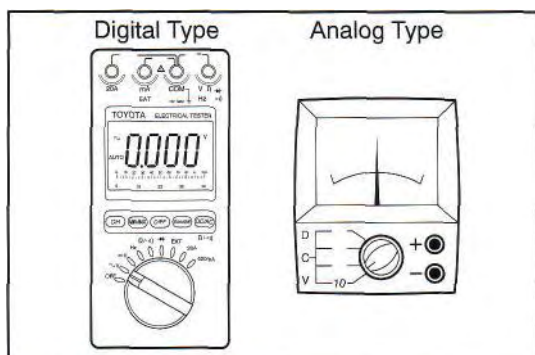
- (a) Disconnect the battery terminal or wire so there is no voltage between the check points.
- (b) Contact the two leads of an ohmmeter to each of the check points.



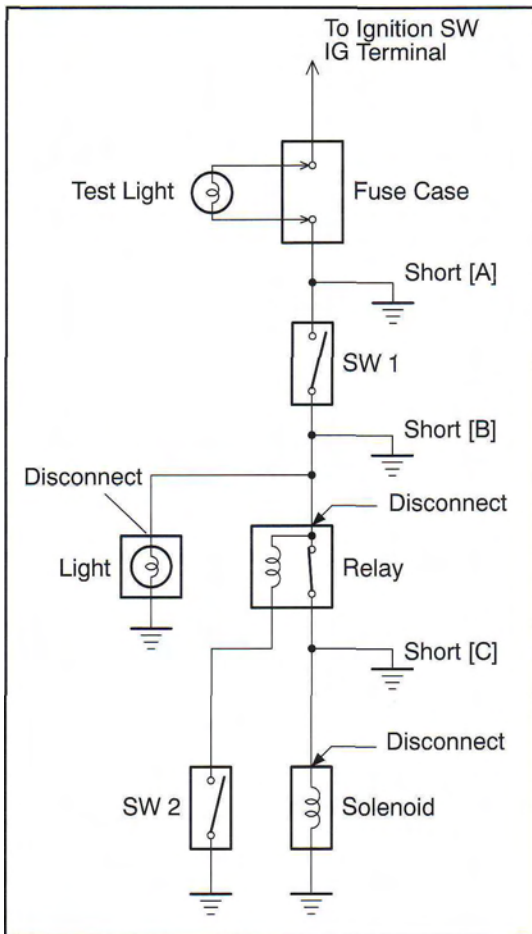
If the circuit has diodes, reverse the two leads and check again.

When contacting the negative lead to the diode positive side and the positive lead to the negative side, there should be continuity.

When contacting the two leads in reverse, there should be no continuity.



- (c) Use a volt/ohmmeter with high impedance (10 kΩ/V minimum) for troubleshooting of the electrical circuit.



## FINDING A SHORT CIRCUIT

- Remove the blown fuse and disconnect all loads of the fuse.
- Connect a test light in place of the fuse.
- Establish conditions in which the test light comes on.

Example:

- [A] - Ignition SW on
- [B] - Ignition SW and SW 1 on
- [C] - Ignition SW, SW 1 and Relay on (Connect the Relay) and SW 2 off (or Disconnect SW 2)

- Disconnect and reconnect the connectors while watching the test light.  
The short lies between the connector where the test light stays lit and the connector where the light goes out.
- Find the exact location of the short by lightly shaking the problem wire along the body.

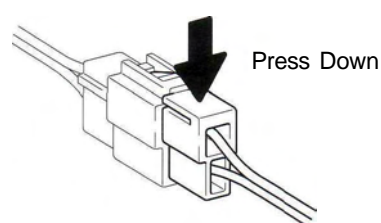
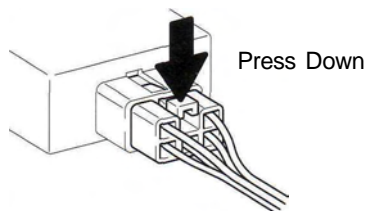
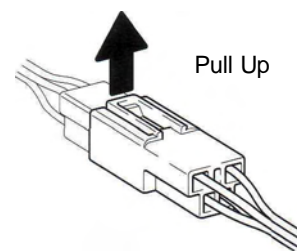
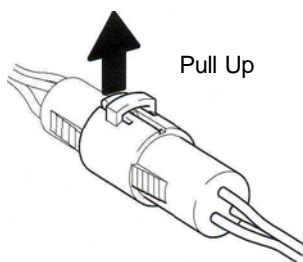
## CAUTION:

- Do not open the cover or the case of the ECU unless absolutely necessary. (If the IC terminals are touched, the IC may be destroyed by static electricity.)
- When replacing the internal mechanism (ECU part) of the digital meter, be careful that no part of your body or clothing comes in contact with the terminals of leads from the IC, etc. of the replacement part (spare part).

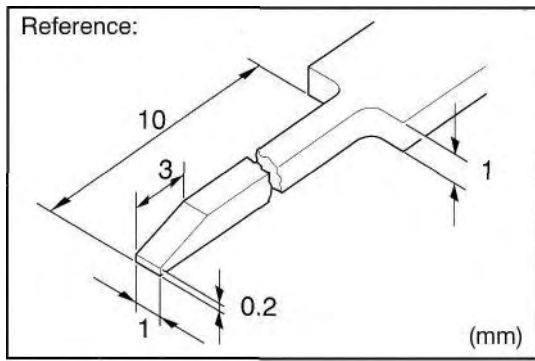
## DISCONNECTION OF MALE AND FEMALE CONNECTORS

To pull apart the connectors, pull on the connector itself, not the wire harness.

HINT: Check to see what kind of connector you are disconnecting before pulling apart.



## C TROUBLESHOOTING



### HOW TO REPLACE TERMINAL (with terminal retainer or secondary locking device)

#### 1. PREPARE THE SPECIAL TOOL

HINT: To remove the terminal from the connector, please construct and use the special tool or like object shown on the left.

#### 2. DISCONNECT CONNECTOR

#### 3. DISENGAGE THE SECONDARY LOCKING DEVICE OR TERMINAL RETAINER.

(a) Locking device must be disengaged before the terminal locking clip can be released and the terminal removed from the connector.

(b) Use a special tool or the terminal pick to unlock the secondary locking device or terminal retainer.

#### NOTICE:

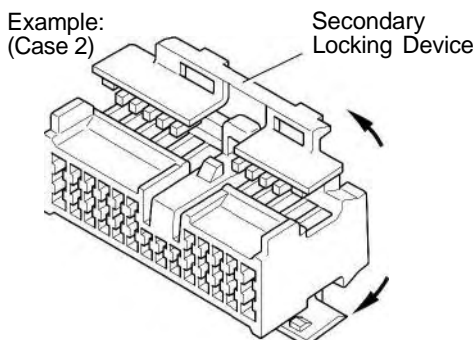
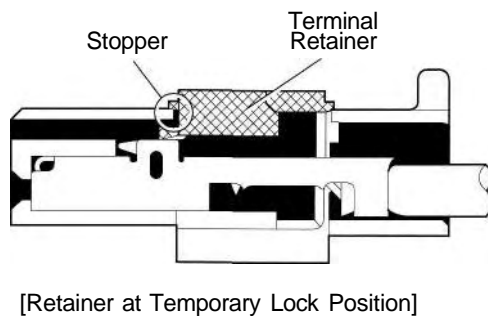
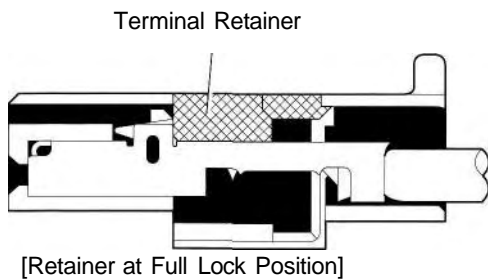
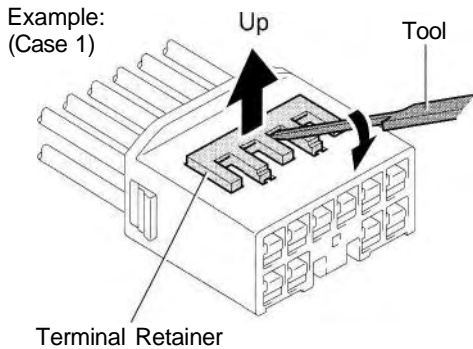
**Do not remove the terminal retainer from connector body.**

#### [A] For Non-Waterproof Type Connector

HINT: The needle insertion position varies according to the connector's shape (number of terminals etc.), so check the position before inserting it.

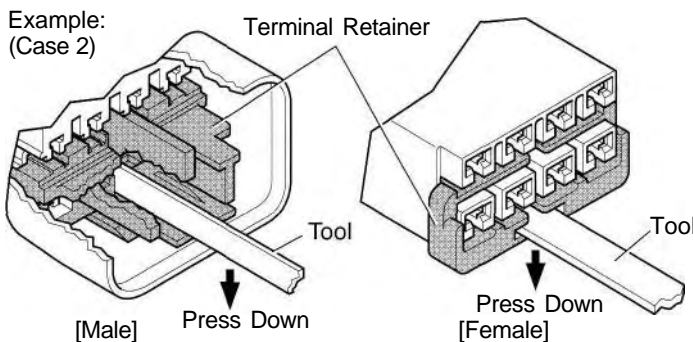
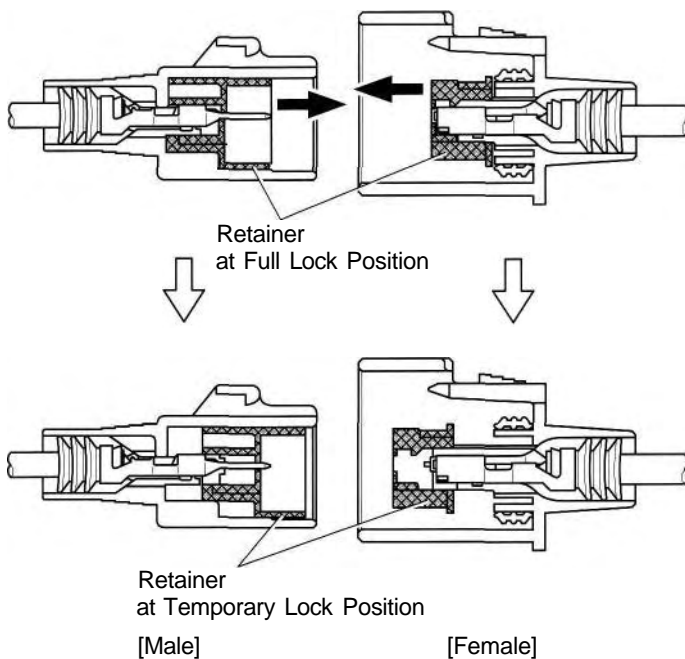
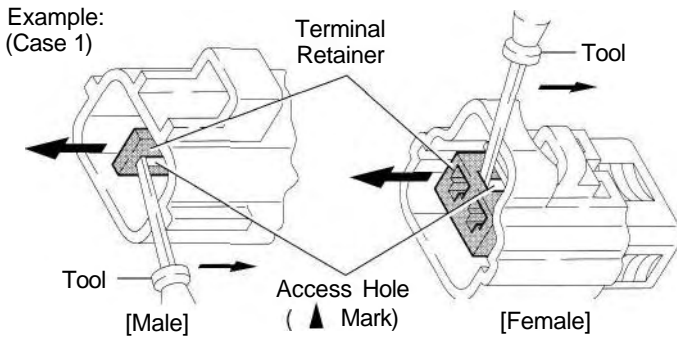
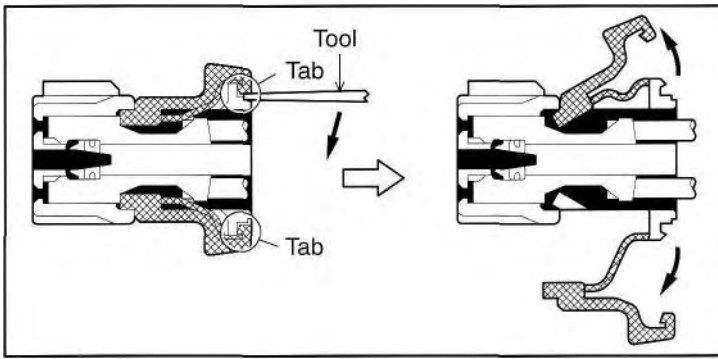
#### "Case 1"

Raise the terminal retainer up to the temporary lock position.



#### "Case 2"

Open the secondary locking device.



[B] For Waterproof Type Connector

HINT: Terminal retainer color is different according to connector body.

Example:

- Terminal Retainer : Connector Body
- Black or White : Gray
- Black or White : Dark Gray
- Gray or White : Black

"Case 1"

Type where terminal retainer is pulled up to the temporary lock position (Pull Type).

Insert the special tool into the terminal retainer access hole (▲Mark) and pull the terminal retainer up to the temporary lock position.

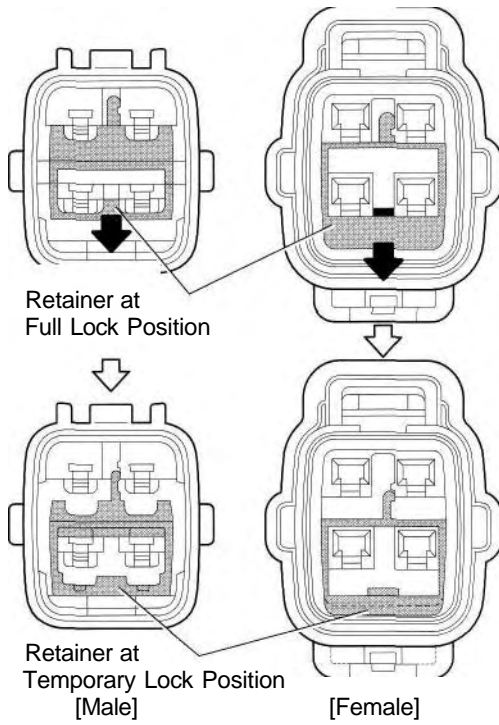
HINT: The needle insertion position varies according to the connector's shape (Number of terminals etc.), so check the position before inserting it.

"Case 2"

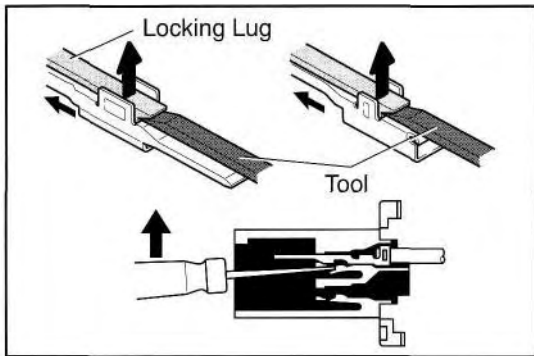
Type which cannot be pulled as far as Power Lock insert the tool straight into the access hole of terminal retainer as shown.



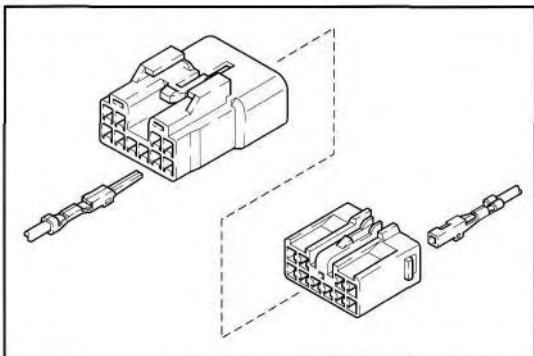
## C TROUBLESHOOTING



Push the terminal retainer down to the temporary lock position.



(c) Release the locking lug from terminal and pull the terminal out from rear.

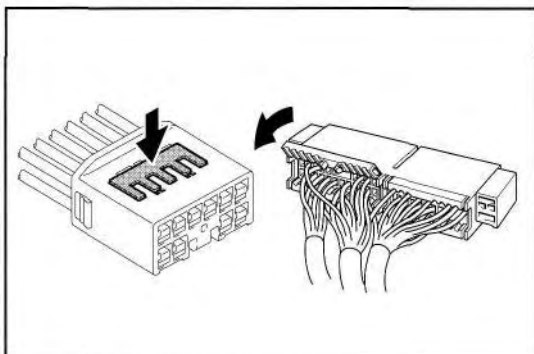


### 4. INSTALL TERMINAL TO CONNECTOR

(a) Insert the terminal.

HINT:

1. Make sure the terminal is positioned correctly.
2. Insert the terminal until the locking lug locks firmly.
3. Insert the terminal with terminal retainer in the temporary lock position.



(b) Push the secondary locking device or terminal retainer in to the full lock position.

### 5. CONNECT CONNECTOR

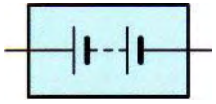
**ABBREVIATIONS**

The following abbreviations are used in this manual.

A/C	Air Conditioning
A/T	Automatic Transmission
ABS	Anti-Lock Brake System
ACIS	Acoustic Control Induction System
BA	Brake Assist
COMB.	= Combination
ECU	Electronic Control Unit
ESA	Electronic Spark Advance
ETCS-i	= Electronic Throttle Control System-intelligent
EVAP	Evaporative Emission
FFC	Flexible Flat Circuit
IC	Integrated Circuit
J/B	Junction Block
LCD	Liquid Crystal Display
LED	Light Emitting Diode
LH	Left-Hand
MPX	Multiplex
O/D	Overdrive
R/B	Relay Block
RH	Right-Hand
S/D	Sedan Type
SFI	Sequential Multiport Fuel Injection
SRS	Supplemental Restraint System
SW	Switch
TEMP.	= Temperature
TRAC	= Traction Control
VSC	Vehicle Stability Control
VSV	Vacuum Switching Valve
W/G	Wagon Type
w/	With
w/o	Without

\* The titles given inside the components are the names of the terminals (terminal codes) and are not treated as being abbreviations.

# E GLOSSARY OF TERMS AND SYMBOLS



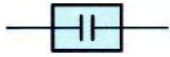
## BATTERY

Stores chemical energy and converts it into electrical energy. Provides DC current for the auto's various electrical circuits.



## GROUND

The point at which wiring attaches to the Body, thereby providing a return path for an electrical circuit; without a ground, current cannot flow.



## CAPACITOR (Condenser)

A small holding unit for temporary storage of electrical voltage.



## 1. SINGLE FILAMENT

## HEADLIGHTS

Current flow causes a headlight filament to heat up and emit light. A headlight may have either a single (1) filament or a double (2) filament

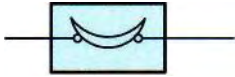


## CIGARETTE LIGHTER

An electric resistance heating element.



## 2. DOUBLE FILAMENT



## CIRCUIT BREAKER

Basically a reusable fuse, a circuit breaker will heat and open if too much current flows through it. Some units automatically reset when cool, others must be manually reset.



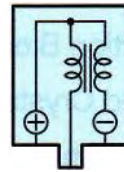
## HORN

An electric device which sounds a loud audible signal.



## DIODE

A semiconductor which allows current flow in only one direction.



## IGNITION COIL

Converts low-voltage DC current into high-voltage ignition current for firing the spark plugs.



## DIODE, ZENER

A diode which allows current flow in one direction but blocks reverse flow only up to a specific voltage. Above that potential, it passes the excess voltage. This acts as a simple voltage regulator.



## LIGHT

Current flow through a filament causes the filament to heat up and emit light.



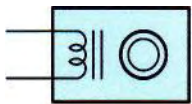
## PHOTODIODE

The photodiode is a semiconductor which controls the current flow according to the amount of light.



## LED (LIGHT EMITTING DIODE)

Upon current flow, these diodes emit light without producing the heat of a comparable light.



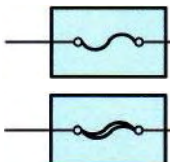
## DISTRIBUTOR, IIA

Channels high-voltage current from the ignition coil to the individual spark plugs.



## METER, ANALOG

Current flow activates a magnetic coil which causes a needle to move, thereby providing a relative display against a background calibration.



## FUSE

A thin metal strip which burns through when too much current flows through it, thereby stopping current flow and protecting a circuit from damage.



## METER, DIGITAL

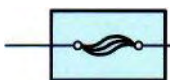
Current flow activates one or many LED's, LCD's, or fluorescent displays, which provide a relative or digital display.

(for Medium Current Fuse)

## FUSIBLE LINK

A heavy-gauge wire placed in high amperage circuits which burns through on overloads, thereby protecting the circuit. The numbers indicate the crosssection surface area of the wires.

(for High Current Fuse or Fusible Link)

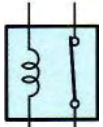


## MOTOR

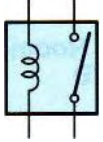
A power unit which converts electrical energy into mechanical energy, especially rotary motion.

**RELAY**

Basically, an electrically operated switch which may be normally closed (1) or open (2). Current flow through a small coil creates a magnetic field which either opens or closes an attached switch.



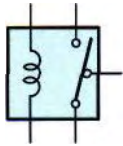
**1. NORMALLY CLOSED**



**2. NORMALLY OPEN**

**RELAY, DOUBLE THROW**

A relay which passes current through one set of contacts or the other.



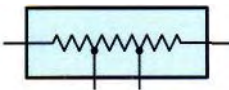
**RESISTOR**

An electrical component with a fixed resistance, placed in a circuit to reduce voltage to a specific value.



**RESISTOR, TAPPED**

A resistor which supplies two or more different non adjustable resistance values.



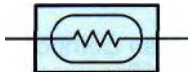
**RESISTOR, VARIABLE or RHEOSTAT**

A controllable resistor with a variable rate of resistance. Also called a potentiometer or rheostat.



**SENSOR (Thermistor)**

A resistor which varies its resistance with temperature.



**SENSOR, SPEED**

Uses magnetic impulses to open and close a switch to create a signal for activation of other components.



(Reed Switch Type)

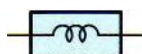
**SHORT PIN**

Used to provide an unbroken connection within a junction block.



**SOLENOID**

An electromagnetic coil which forms a magnetic field when current flows, to move a plunger, etc.



**SPEAKER**

An electromechanical device which creates sound waves from current flow.



**SWITCH, MANUAL**

Opens and closes circuits, thereby stopping (1) or allowing (2) current flow.

**1. NORMALLY OPEN**

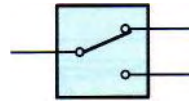


**2. NORMALLY CLOSED**



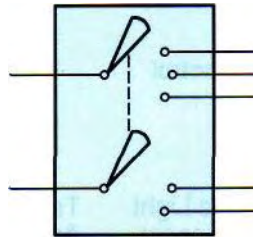
**SWITCH, DOUBLE THROW**

A switch which continuously passes current through one set of contacts or the other.



**SWITCH, IGNITION**

A key operated switch with several positions which allows various circuits, particularly the primary ignition circuit, to become operational.



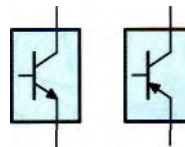
**SWITCH, WIPER PARK**

Automatically returns wipers to the stop position when the wiper switch is turned off.



**TRANSISTOR**

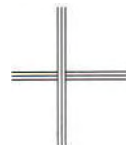
A solidstate device typically used as an electronic relay; stops or passes current depending on the voltage applied at "base".



**WIRES**

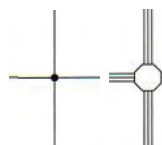
Wires are always drawn as straight lines on wiring diagrams.

**(1) NOT CONNECTED**



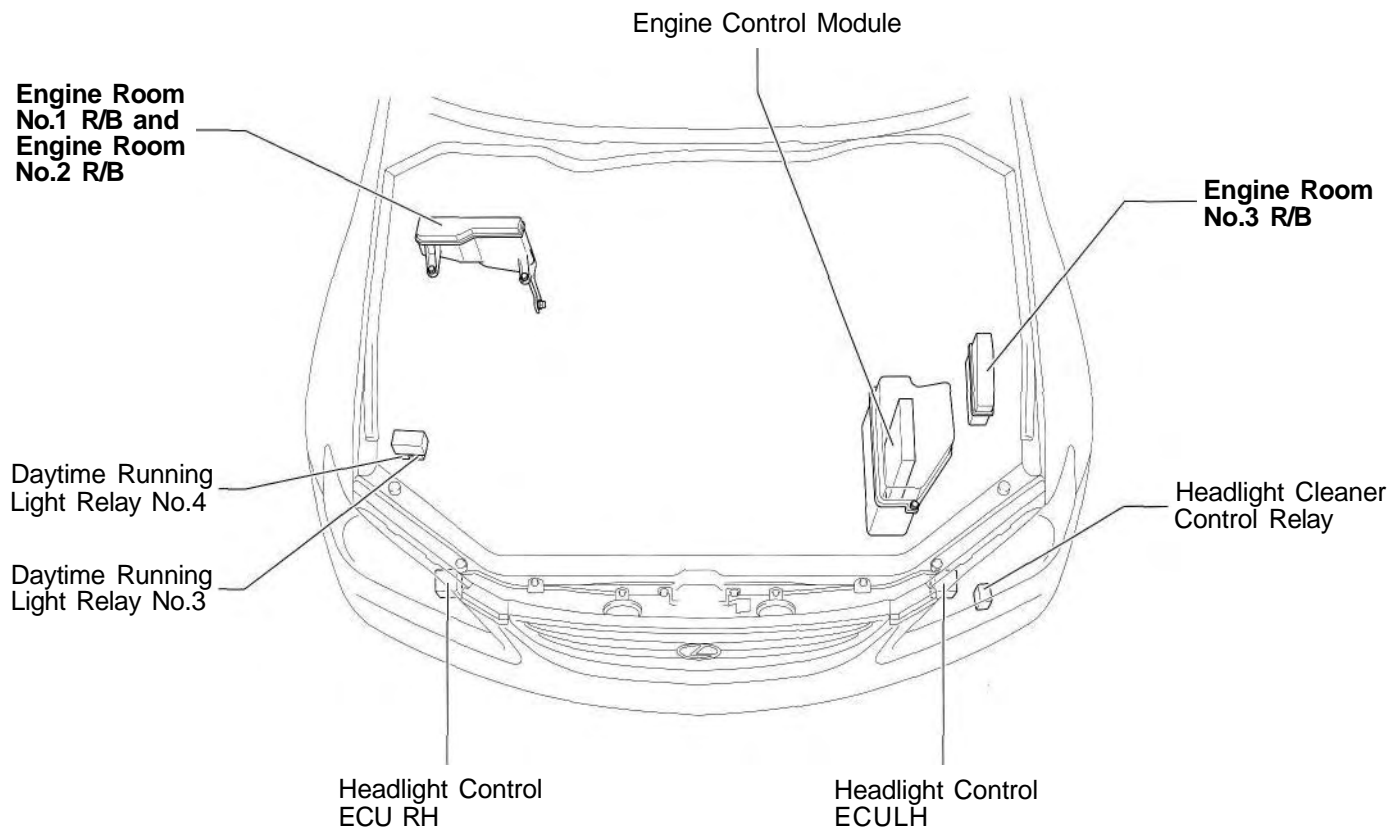
Crossed wires (1) without a black dot at the junction are not joined; crossed wires (2) with a black dot or octagonal (O) mark at the junction are spliced (joined) connections.

**(2) SPLICED**

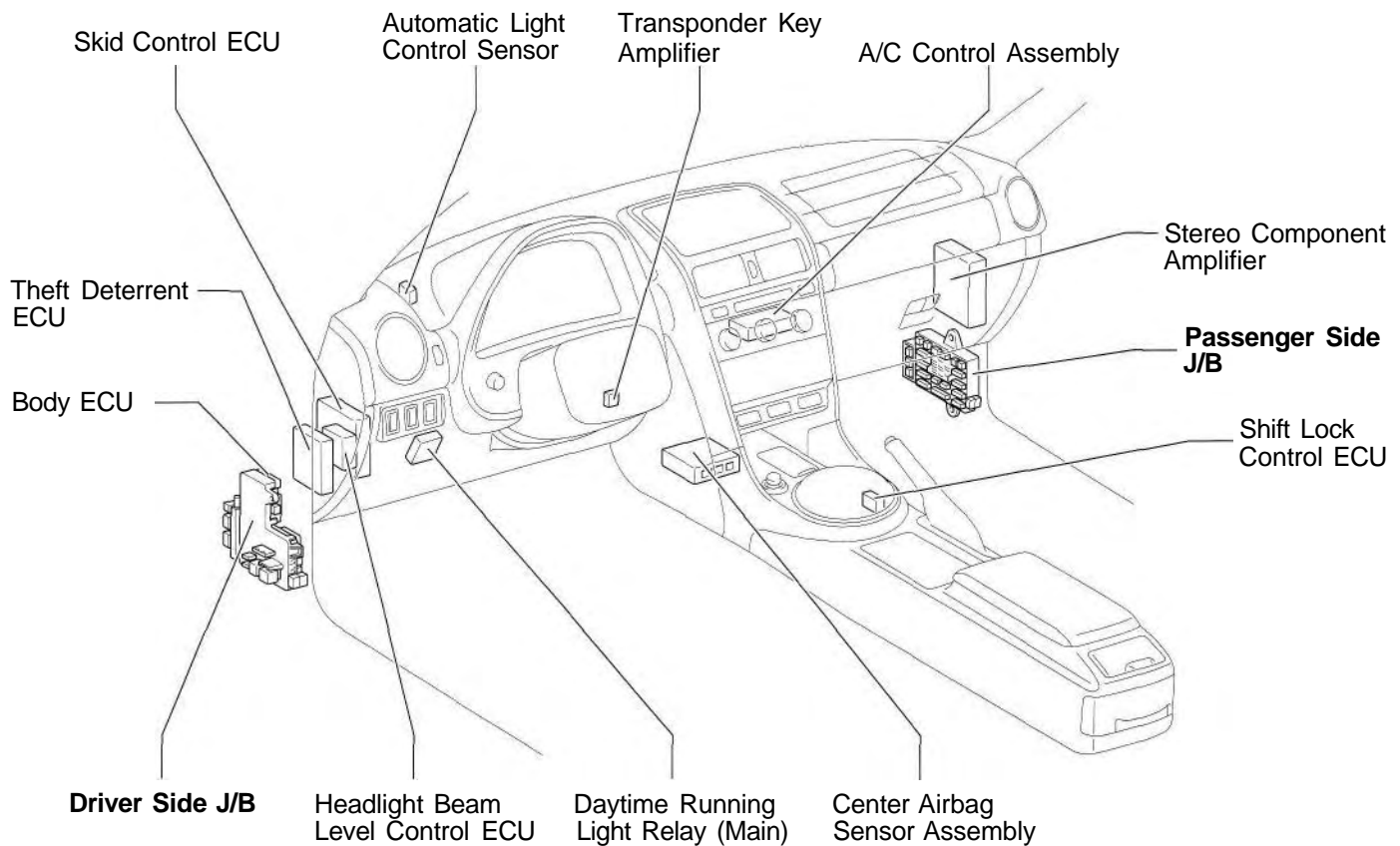


# F RELAY LOCATIONS

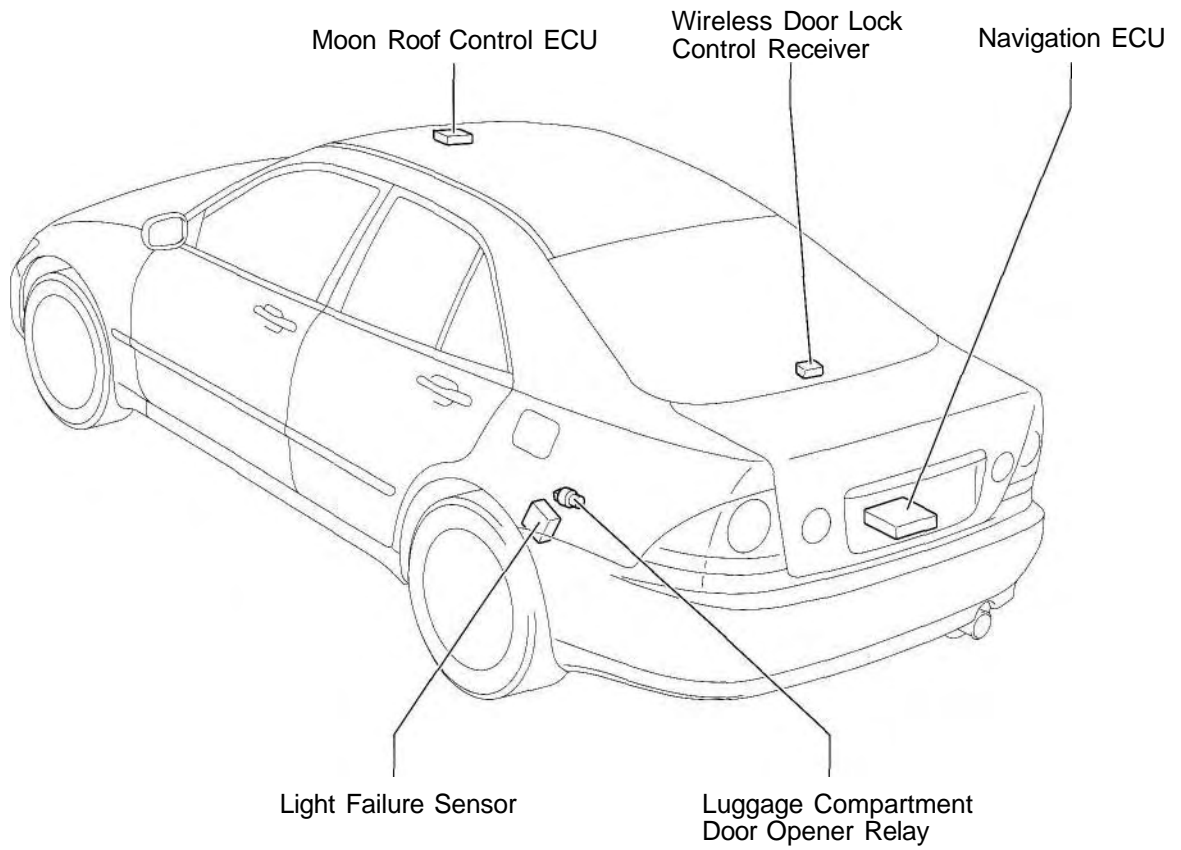
## [Engine Compartment]



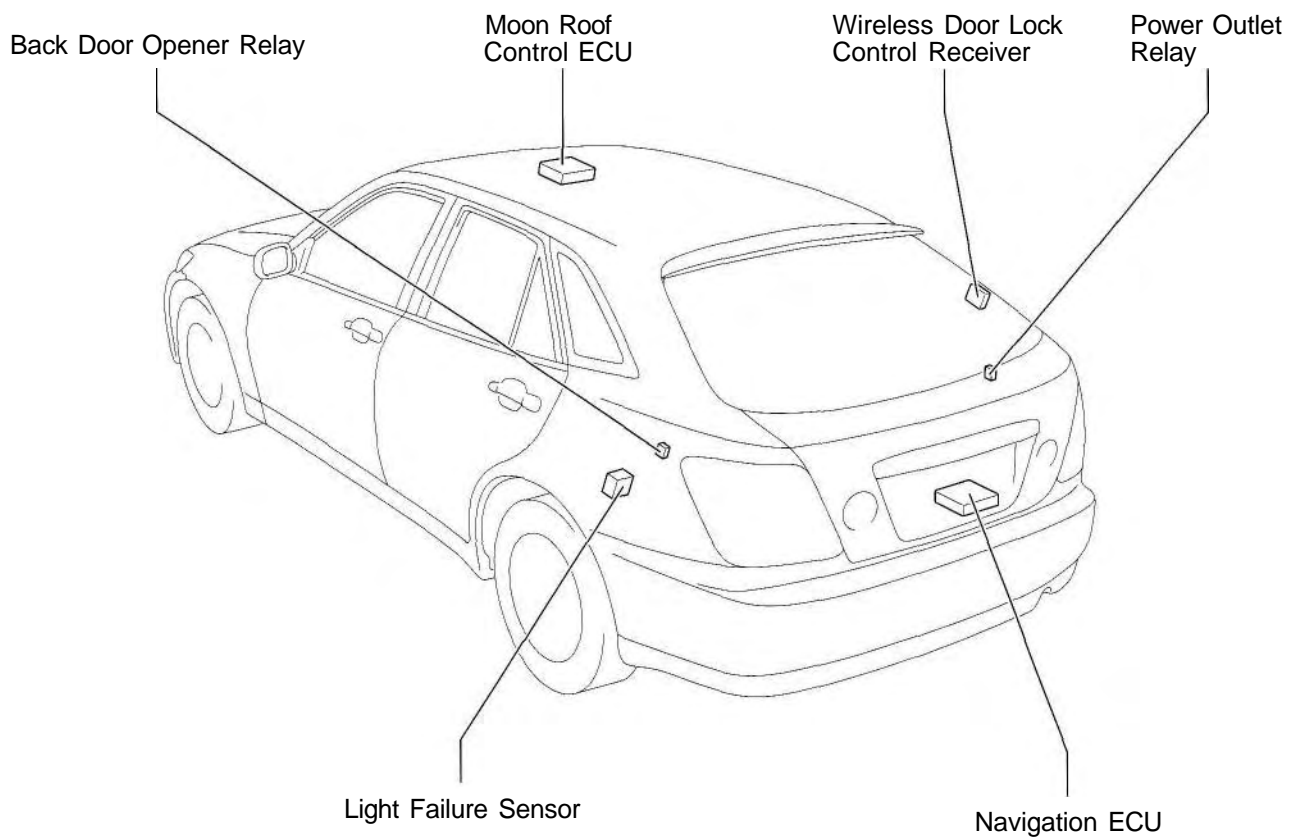
## [Instrument Panel]



**[Body]  
(S/D)**



**(W/G)**



# F RELAY LOCATIONS

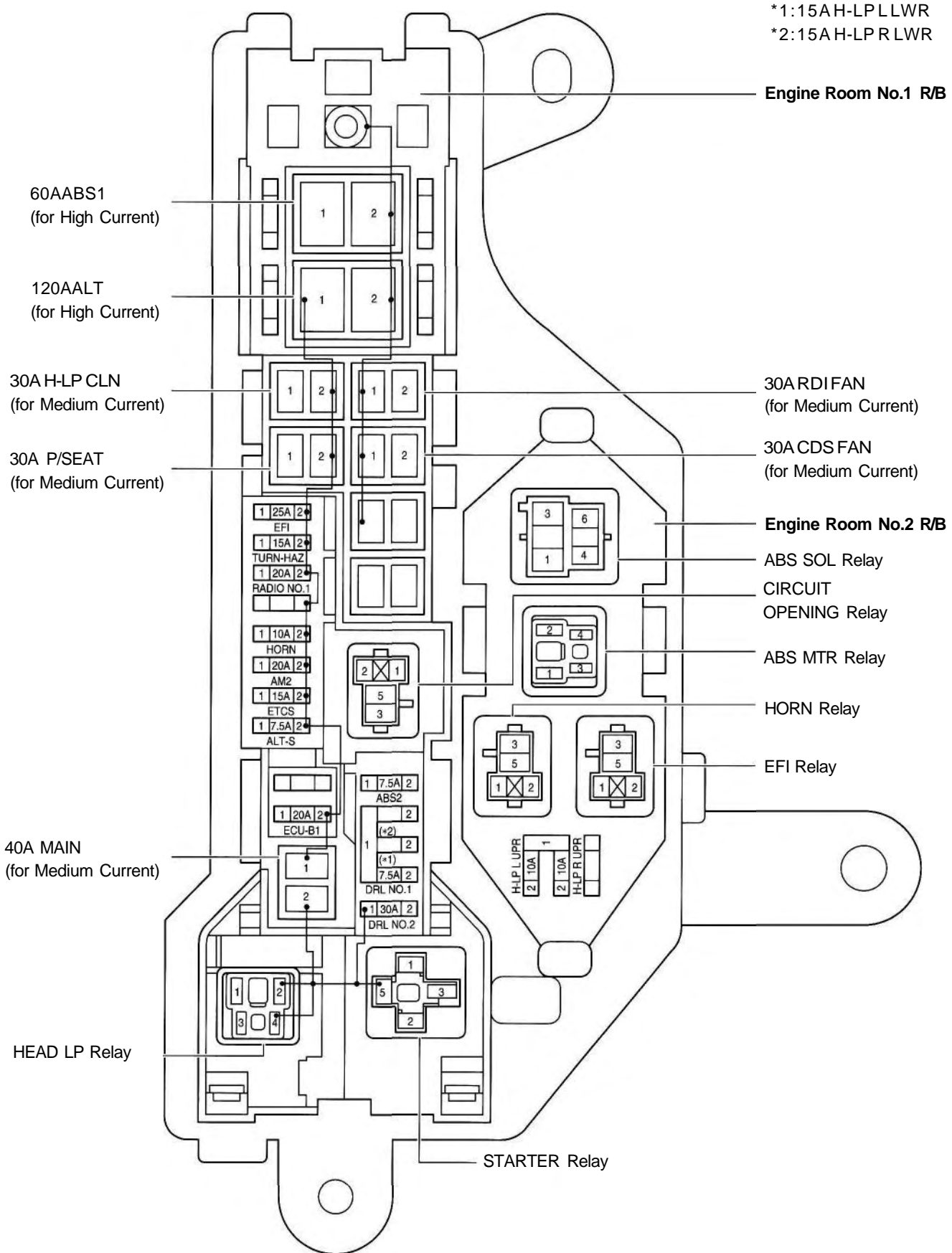
① : Engine Room No.1 R/B

② : Engine Room No.2 R/B

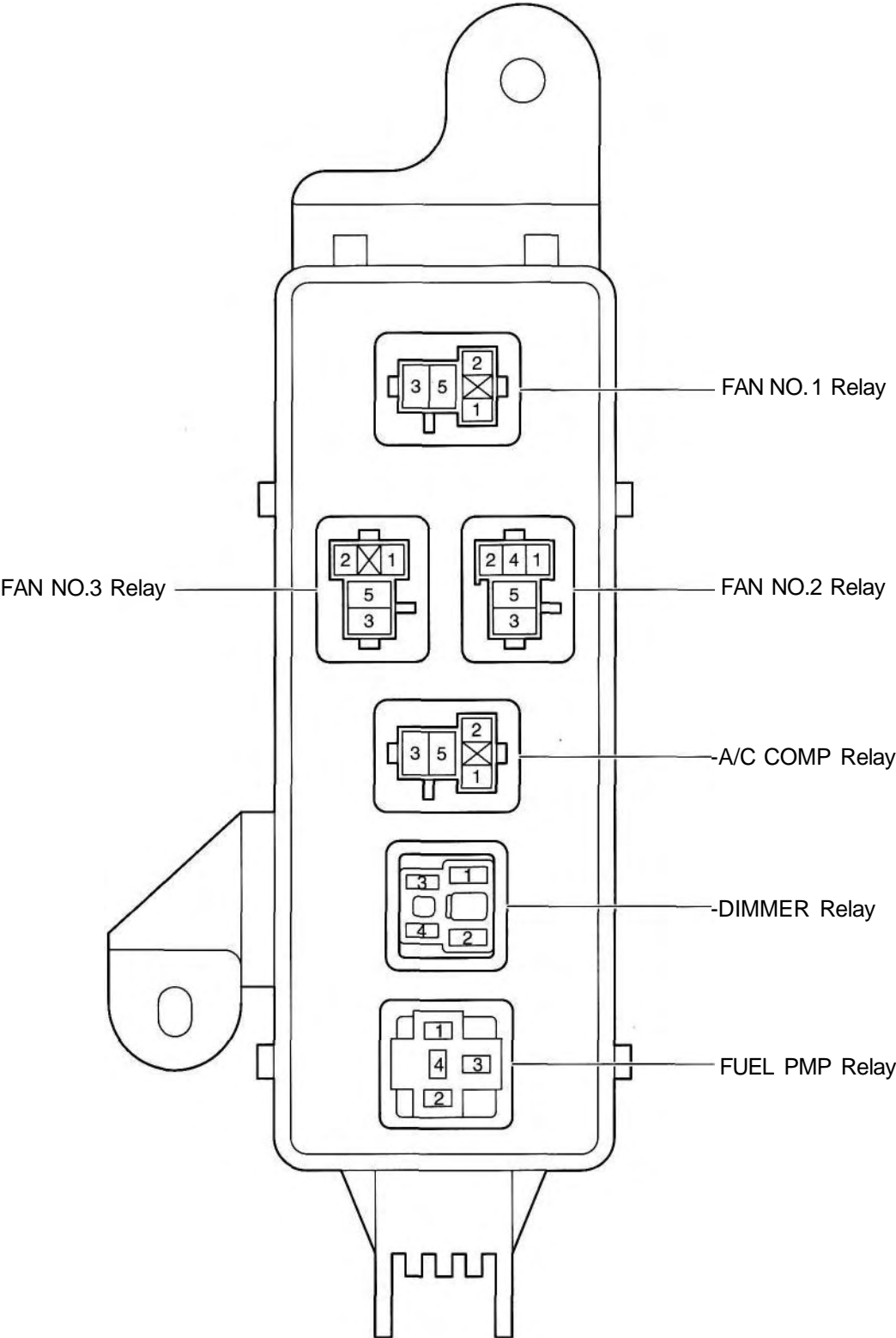
Engine Compartment Right (See Page 20)

\*1:15AH-LP L L W R

\*2:15AH-LP R L W R



③ : Engine Room No.3 R/B Engine Compartment Left (See Page 20)

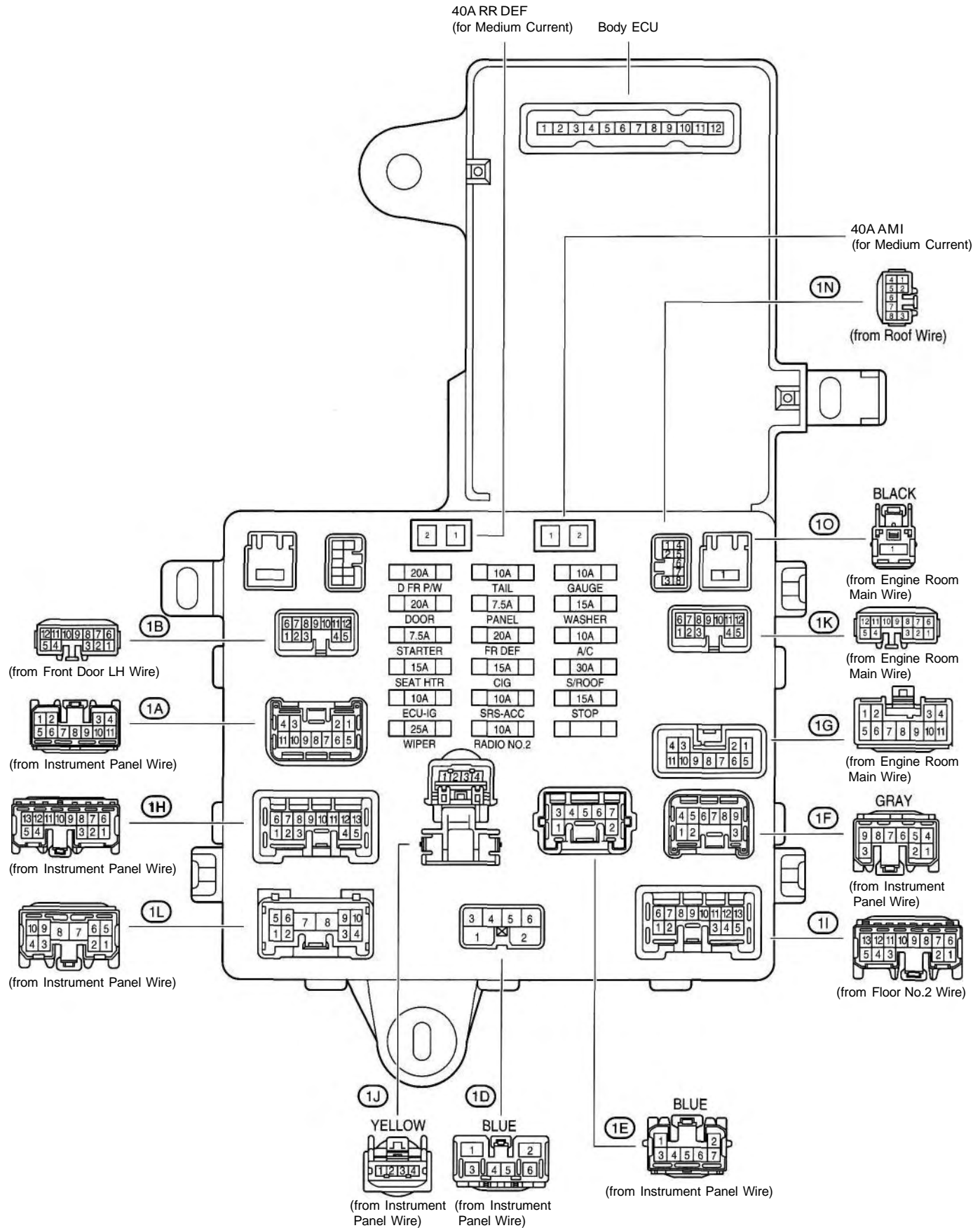




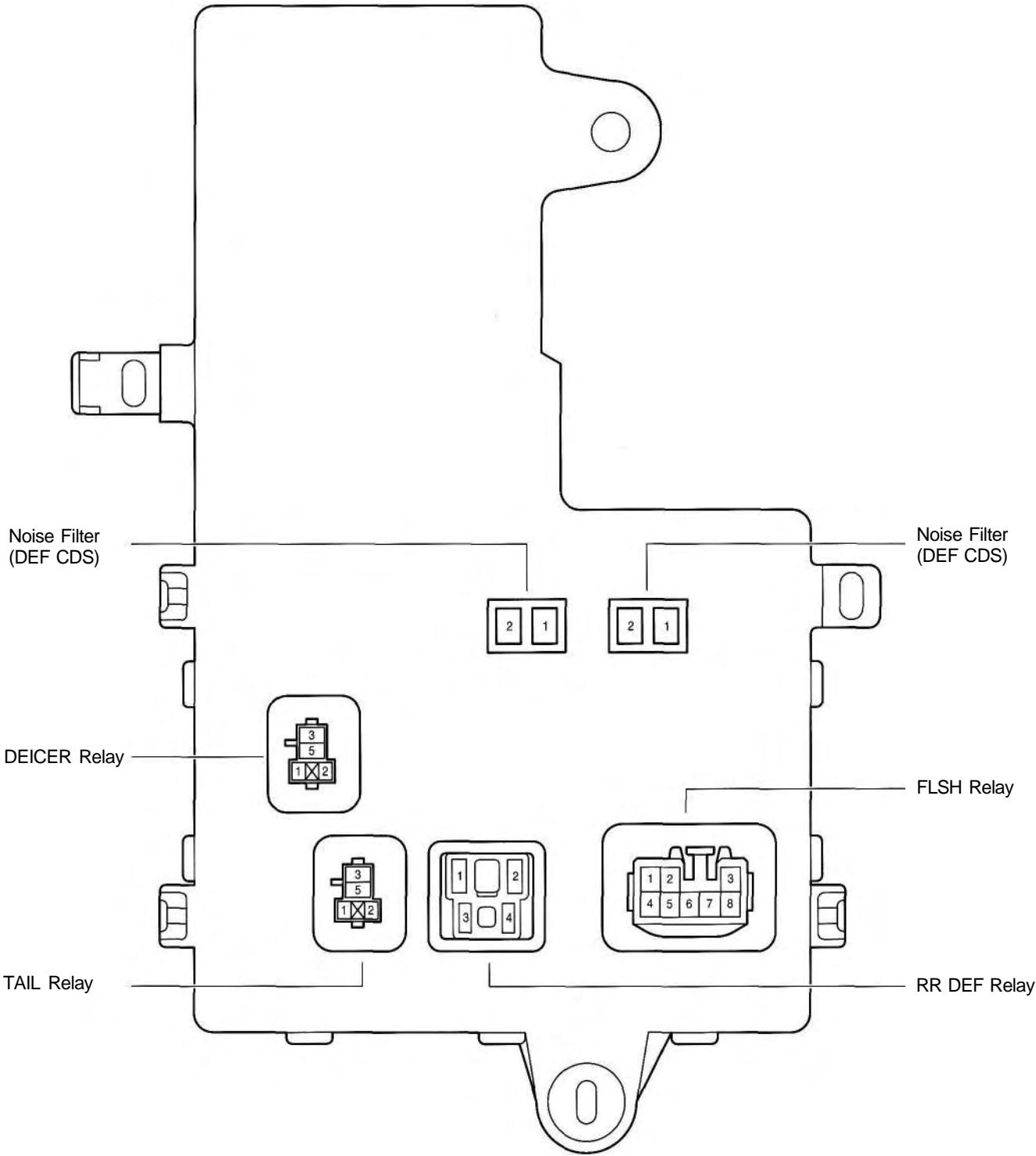
# F RELAY LOCATIONS

 : Driver Side J/B

## Left Kick Panel (See Page 20)



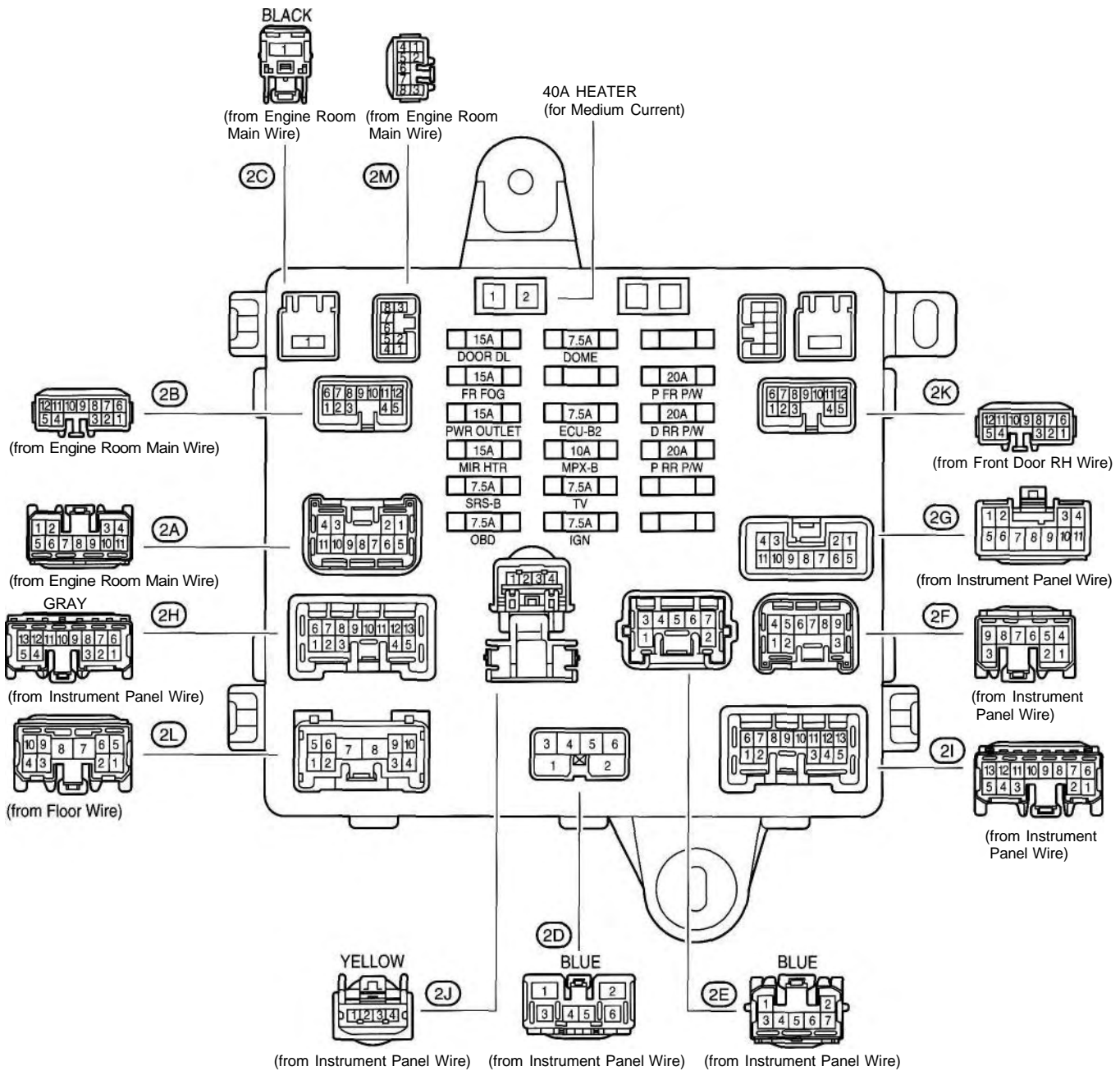
(Inner Circuit: See Page 28)



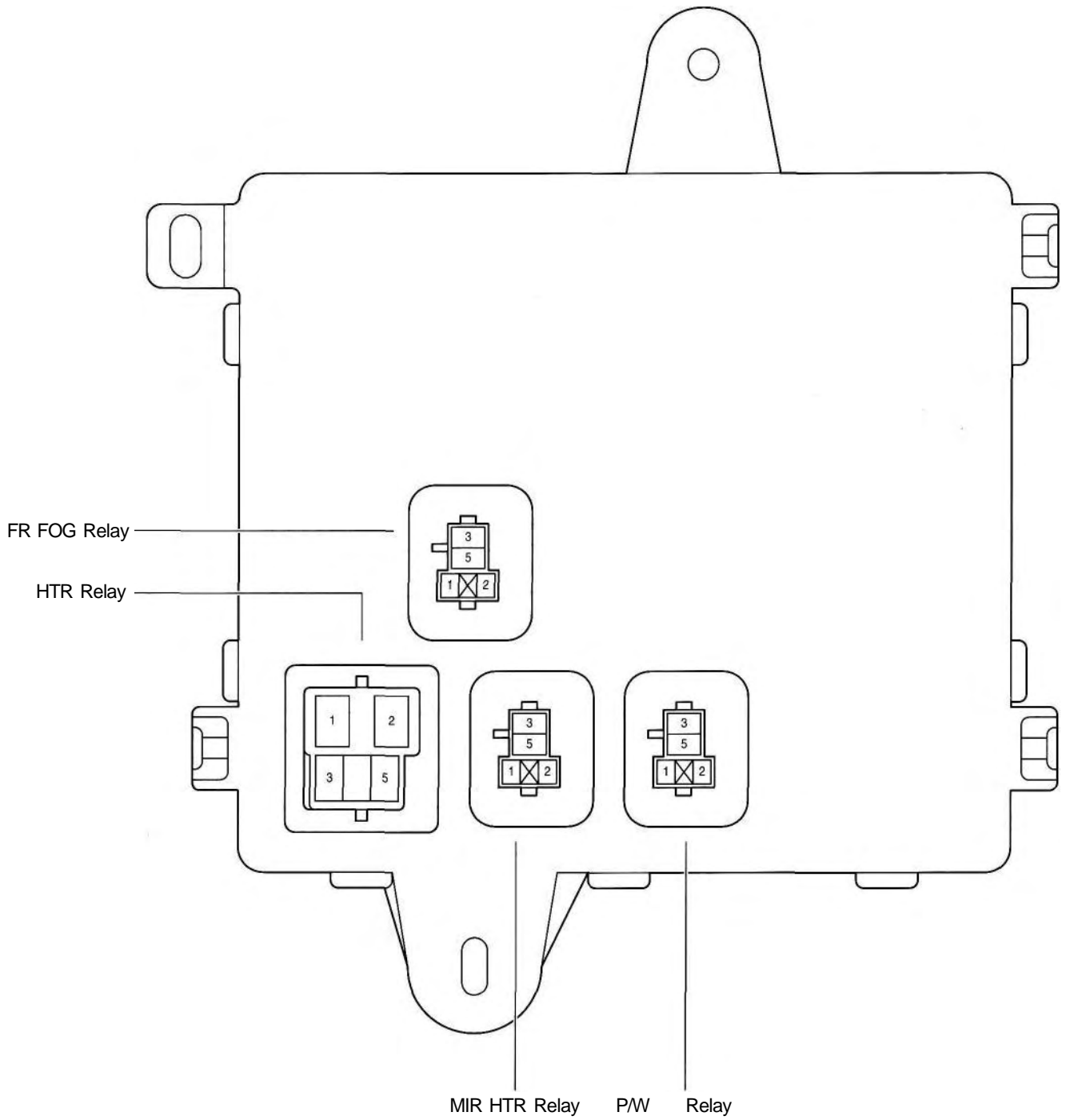
# F RELAY LOCATIONS

 : Passenger Side J/B

Right Kick Panel (See Page 20)

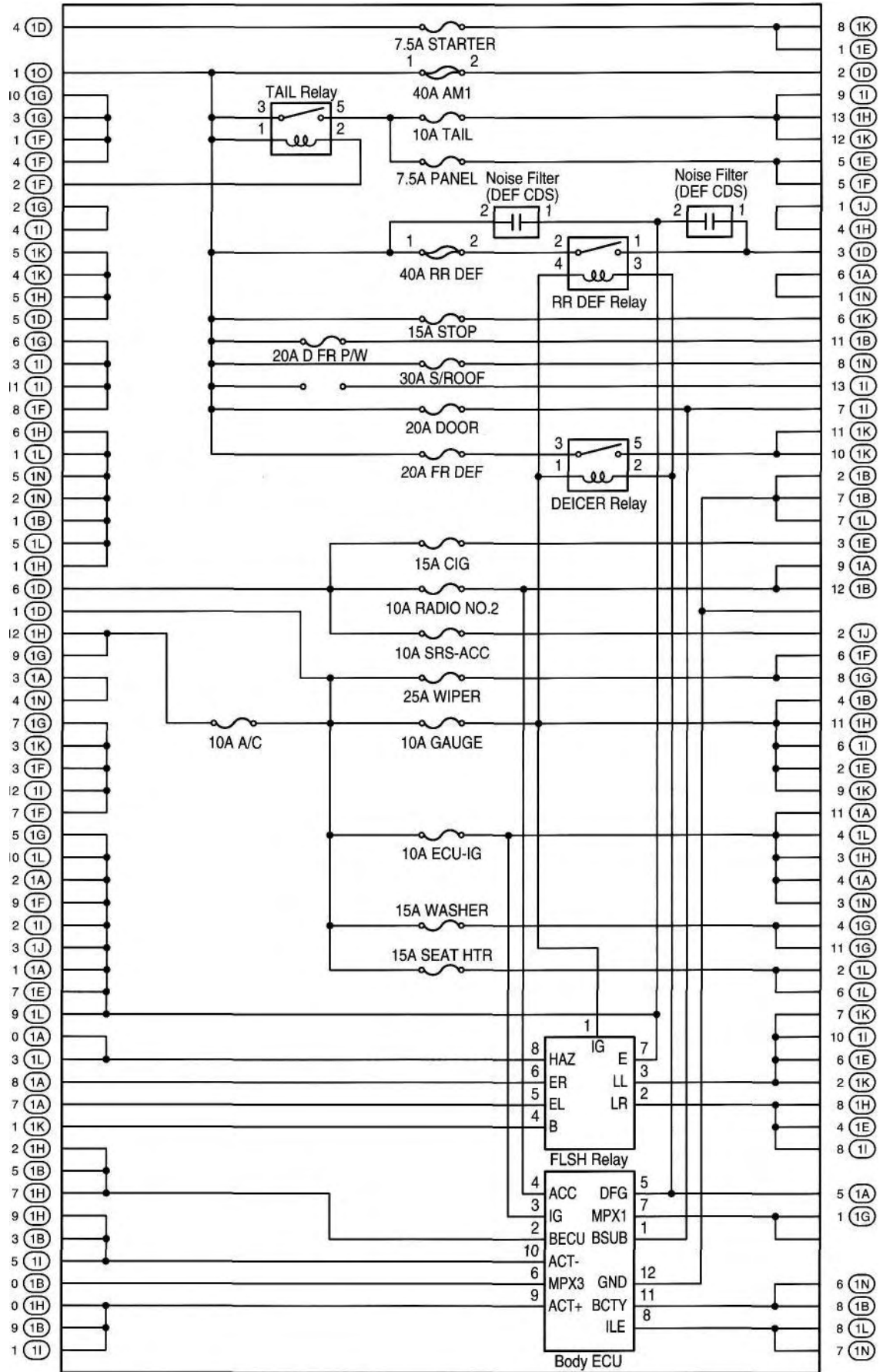


(Inner Circuit: See Page 29)



# F RELAY LOCATIONS

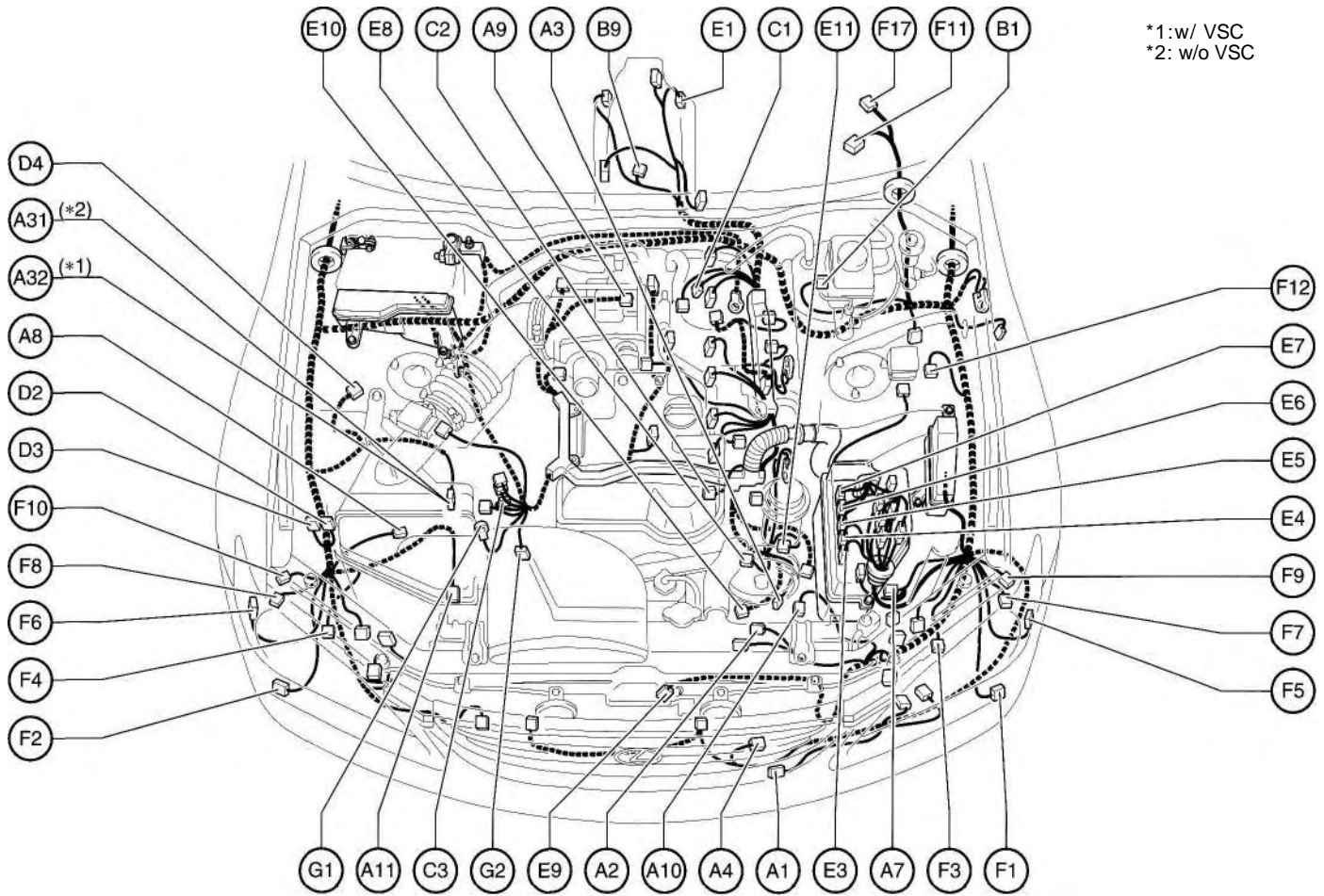
[Driver Side J/B Inner Circuit]





# G ELECTRICAL WIRING ROUTING

## Position of Parts in Engine Compartment



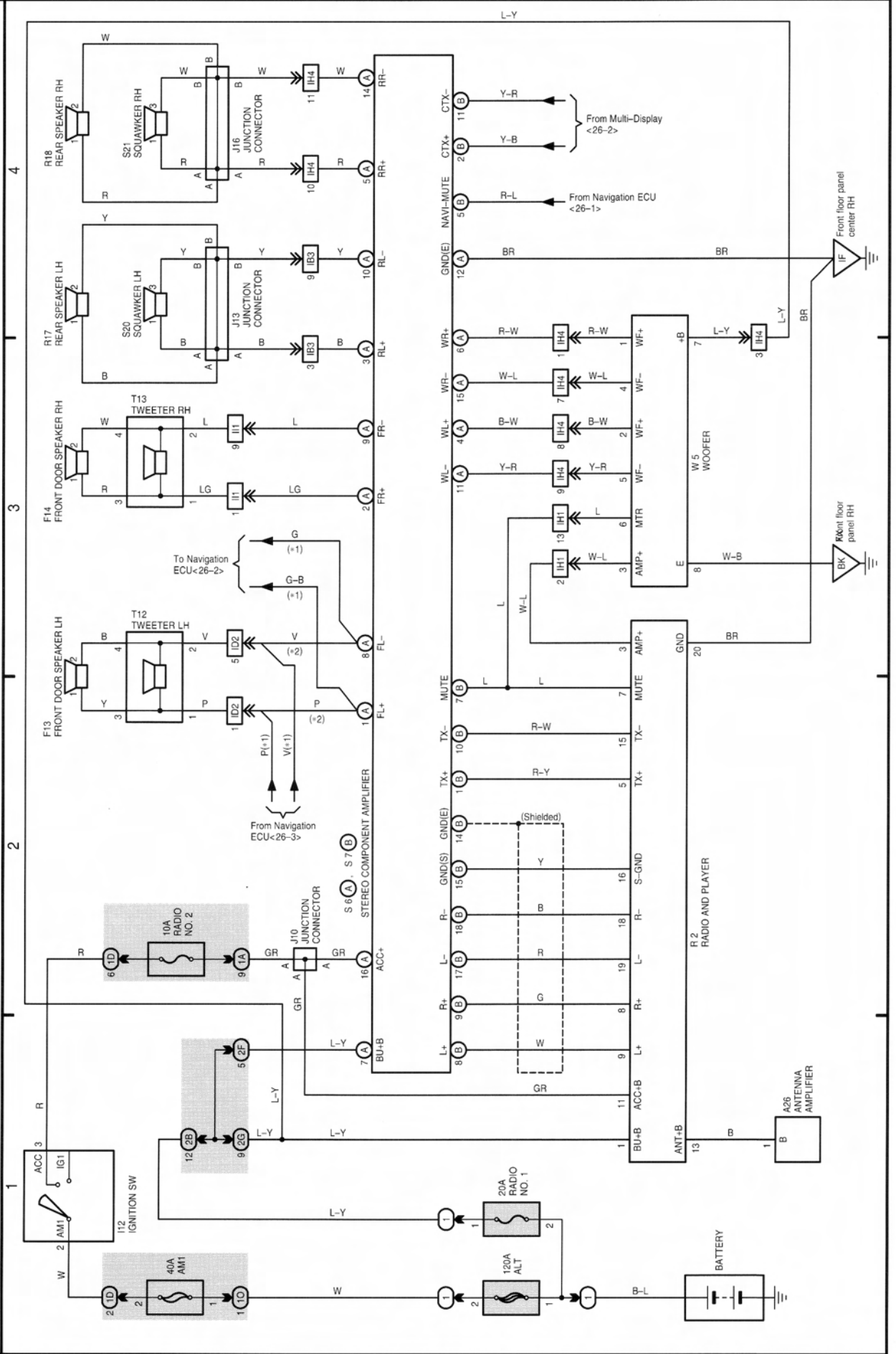
\*1: w/ VSC  
\*2: w/o VSC

- |   |   |
|---|---|
| A 1 A/C Ambient Temp. Sensor                                    | E 1 Electronically Controlled Transmission Solenoid |
| A 2 A/C Condenser Fan Motor                                     | E 3 Engine Control Module                           |
| A 3 A/C Magnetic Clutch and Lock Sensor                         | E 4 Engine Control Module                           |
| A 4 A/C Triple Pressure SW<br>(A/C Dual and Single Pressure SW) | E 5 Engine Control Module                           |
| A 7 ABS Speed Sensor Front LH                                   | E 6 Engine Control Module                           |
| A 8 ABS Speed Sensor Front RH                                   | E 7 Engine Control Module                           |
| A 9 Accel Position Sensor                                       | E 8 Engine Coolant Temp. Sensor                     |
| A10 Airbag Sensor Front LH                                      | E 9 Engine Hood Courtesy SW                         |
| A11 Airbag Sensor Front RH                                      | E10 Engine Oil Level Sensor                         |
| A31 ABS & BA & TRAC Actuator                                    | E11 Engine Oil Pressure SW                          |
| A32 ABS & BA & TRAC & VSC Actuator                              |   |
| B 1 Brake Fluid Level Warning SW                                | F 1 Front Fog Light LH                              |
| B 9 Back-Up Light SW  | F 2 Front Fog Light RH                              |
|   | F 3 Front Parking Light LH                          |
| C 1 Camshaft Position Sensor                                    | F 4 Front Parking Light RH                          |
| C 2 Camshaft Timing Oil Control Valve                           | F 5 Front Side Marker Light LH                      |
| C 3 Crankshaft Position Sensor                                  | F 6 Front Side Marker Light RH                      |
| D 2 Daytime Running Light Relay No.3                            | F 7 Front Side Turn Signal Light LH                 |
| D 3 Daytime Running Light Relay No.4                            | F 8 Front Side Turn Signal Light RH                 |
| D 4 Daytime Running Light Resistor                              | F 9 Front Turn Signal Light LH                      |
|   | F 10 Front Turn Signal Light RH                     |
|   | F 11 Front Wiper Motor                              |
|   | F 12 Fuel Pump Resistor                             |
|   | F 17 Front Window Deicer                            |
|   |   |
|   | G 1 Generator                                       |
|   | G 2 Generator                                       |

Power Source

Radio and Player (W/G)

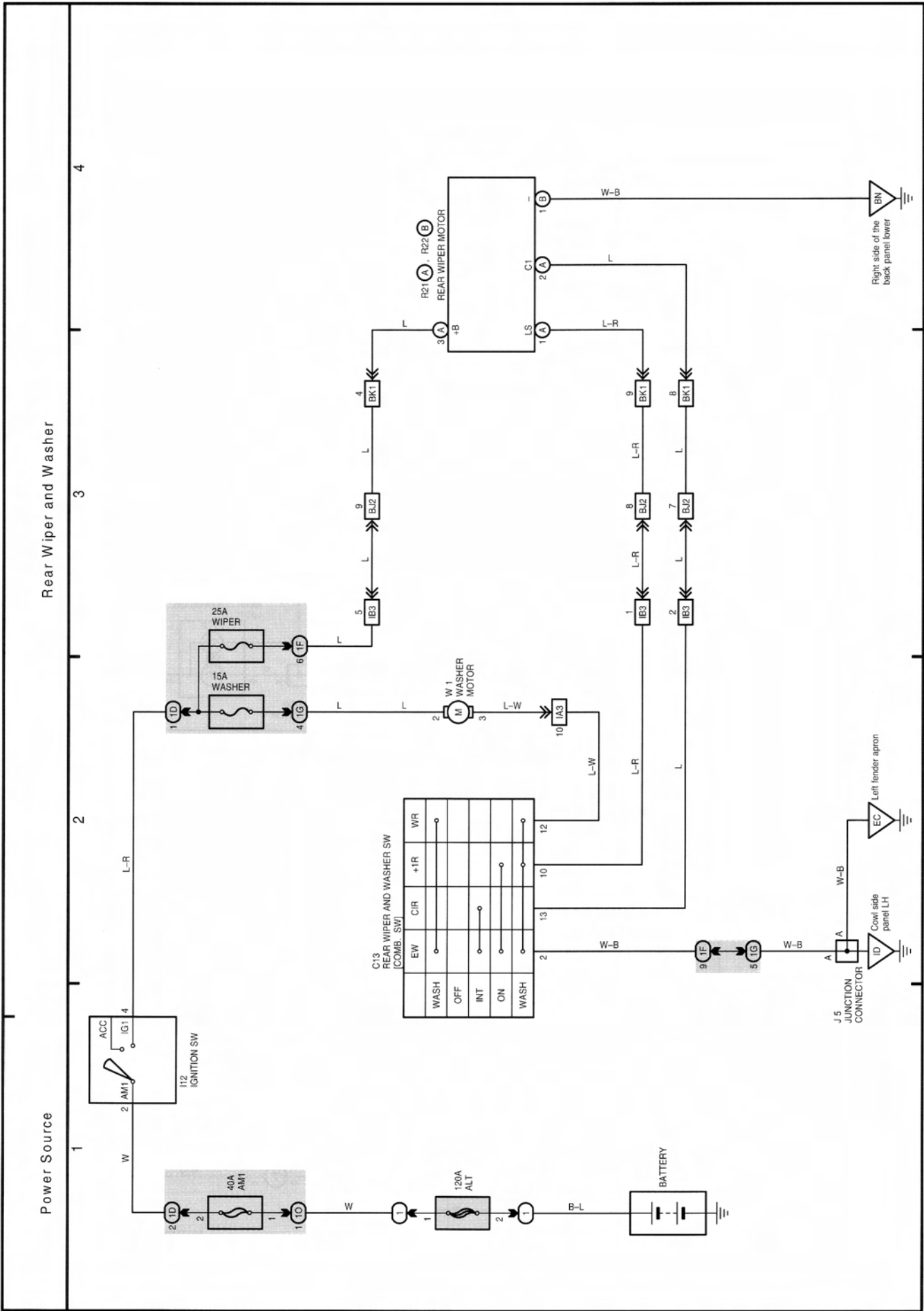
\* 1 : w/ LEXUS Navigation System  
\* 2 : w/o LEXUS Navigation System

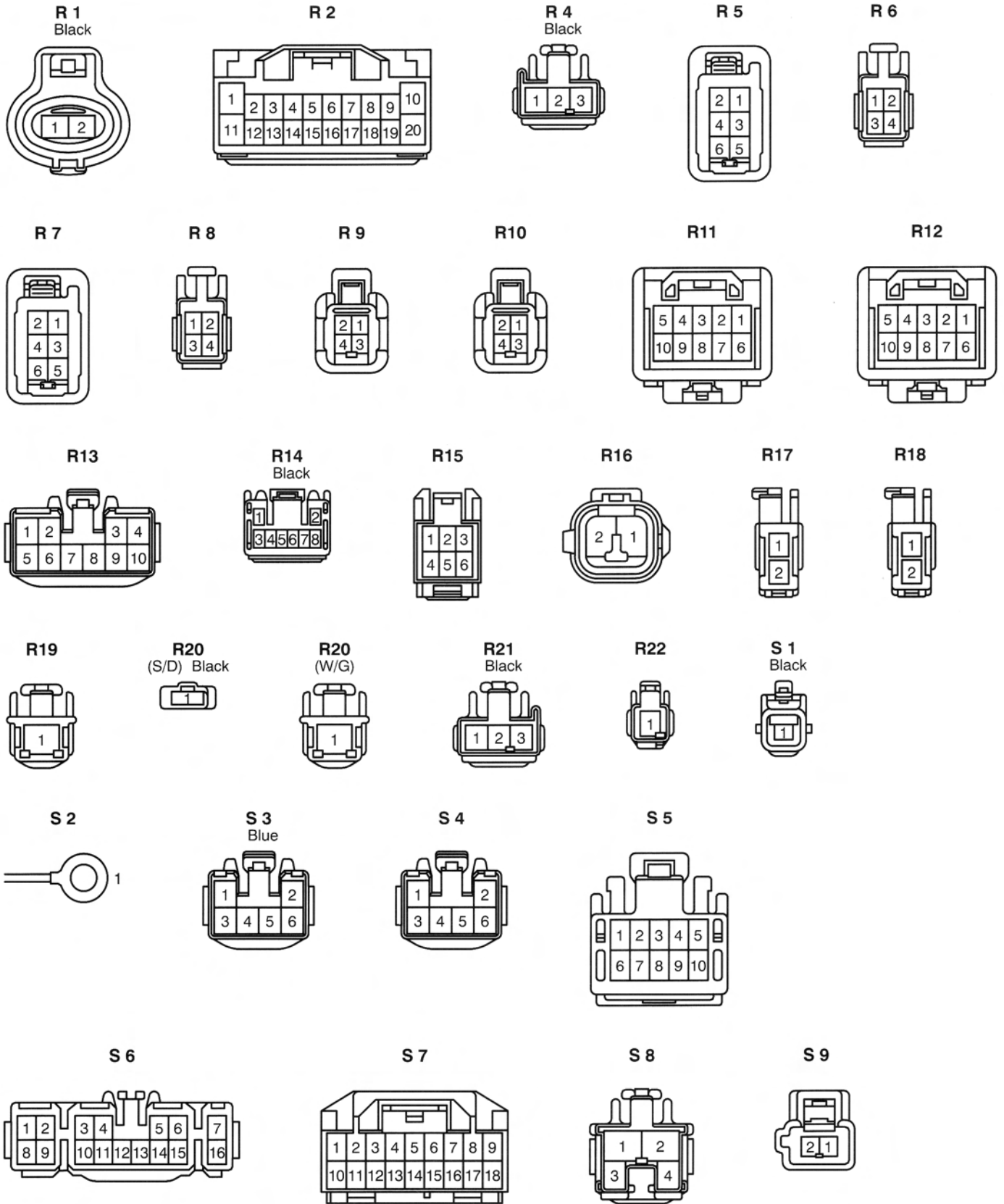




# M OVERALL ELECTRICAL WIRING DIAGRAM

28 IS 300





# TAILLIGHT (W/G)

