



# **PARTS CATALOGUE**

**XVS650A (5SC5) EUROPE**

**XVS650A (5SC6) EUROPE**

XVS650A  
PARTS CATALOGUE  
©2001 by Yamaha Motor Co., Ltd.  
1st Edition, Jun. 2001  
All rights reserved.  
Any reprinting or unauthorized use  
without the written permission of  
Yamaha Motor Co., Ltd.  
is expressly prohibited.  
Printed in Japan

**A3**



A4

# FOREWORD

This Parts Catalogue is related to the parts for the model(s) in the below frame. When you are ordering replacement parts, please refer to this Parts Catalogue and quote both part numbers and part names correctly.

XVS650A(5SC5/5SC6)

1. Modifications or additions which have been made after issue of the Parts Catalogue will be announced in the Yamaha Parts News. It is advisable that you make necessary corrections to the Parts Catalogue according to the Yamaha Parts News.

## 2. Abbreviations

The Following abbreviations are used in this Parts Catalogue.

“UR” Use specified parts number.

“UN” Use as many as needed.

“AP” Alternate Parts

“LM” Local Made (Parts need to be ordered locally)

“F#” Frame No. (Applicable machine No.)

3. Parts, which are to be supplied in an assembly, are listed with a dot(.) in front of the part name as shown below.

### EXAMPLE

CARBURETOR ASSY

.JET, PILOT

.NOZZLE, MAIN

4. Number of component for assembly

The numeral appearing to the right of each component part indicates the quantity of parts for each assembly unit.

### EXAMPLE

PART NO.	DESCRIPTION	Q'TY	REMARKS
2F5-83310-60	FRONT FLASHER LIGHT ASSY	2	
115-83311-60	.BULB (6V-18W)	1	
1M1-83309-60	.REFLECTOR	1	

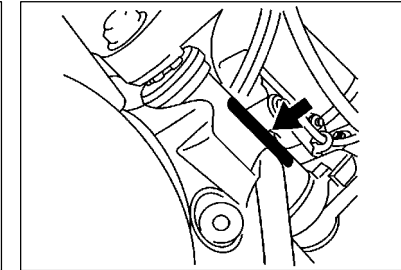
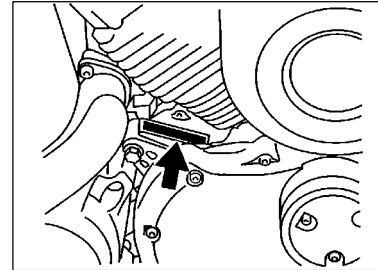
5. Applicable colors of graphics are represented in the “REMARKS” as shown below.

PART NO.	DESCRIPTION	Q'TY	REMARKS
2N4-24110-00-X5	FUEL TANK COMP.	1	MXR
3J1-24240-10	.GRAPHIC, FUEL TANK	1	FOR MXR

6. Applicable Serial No.

Engine Serial No.

Frame Serial No.



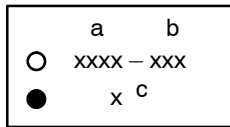
7. Note that the illustrations for reference in finding parts numbers, not to be used for assembling. When assembling, please use the applicable service manual.

8. The asterisk (\*) before a reference number indicates modification items after the first edition.

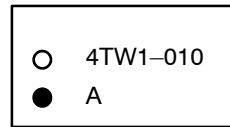
# MODEL LABEL

(1) A label called "Model Label" is affixed in the location as indicated in (3) below.  
When using this parts catalogue, please be sure to cross-refer the "model code – production code No." in the catalogue to the "model code – production code No." indicated on the Model Label affixed onto the product concerned.

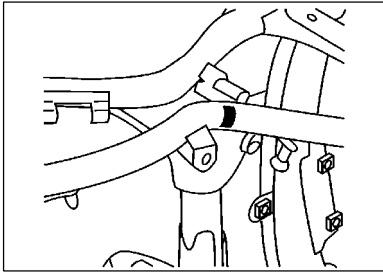
(2) "Model Label" Indication



a: Model Type Code  
b: Production Code No.  
c: Colouring Type



(3) Model Label Affixing Location



(4) Model Code – Production Code Number of Model Listed in This Parts Catalog

Model Code	Production Code No.	Country (destination)	Model Code	Production Code No.	Country (destination)
5SC5	010	AUSTRIA			
	020	BELGIUM			
	030	DENMARK			
		FINLAND			
		NORWAY			
	060	ENGLAND			
	070	GREECE			
	080	ITALY			
	090	HOLLAND			
	100	PORTUGAL			
	110	SWEDEN			
120	SWITZERLAND				
5SC6	040	ENGLAND			
	050	HOLLAND			

(5) Colouring Information

Model Code	Colouring type code	Colour code	Colour Name	Abbreviation
5SC5	A	0033	YAMAHA BLACK	YB
5SC6	B	0752	LIGHT YELLOWISH GRAY METALLIC 9	LYNM9

# CONTENTS

## ENGINE

CYLINDER HEAD .....	B2
CYLINDER .....	B4
CRANKSHAFT. PISTON .....	B5
VALVE .....	B6
CAMSHAFT. CHAIN .....	B7
OIL PUMP .....	B8
INTAKE .....	B9
CARBURETOR .....	B11
EXHAUST .....	B13
CRANKCASE .....	B15
CRANKCASE COVER 1 .....	C3
STARTER CLUTCH .....	C5
CLUTCH .....	C6
TRANSMISSION .....	C8
MIDDLE DRIVE GEAR .....	C9
SHIFT CAM. FORK .....	C10
SHIFT SHAFT .....	C11

## CHASSIS

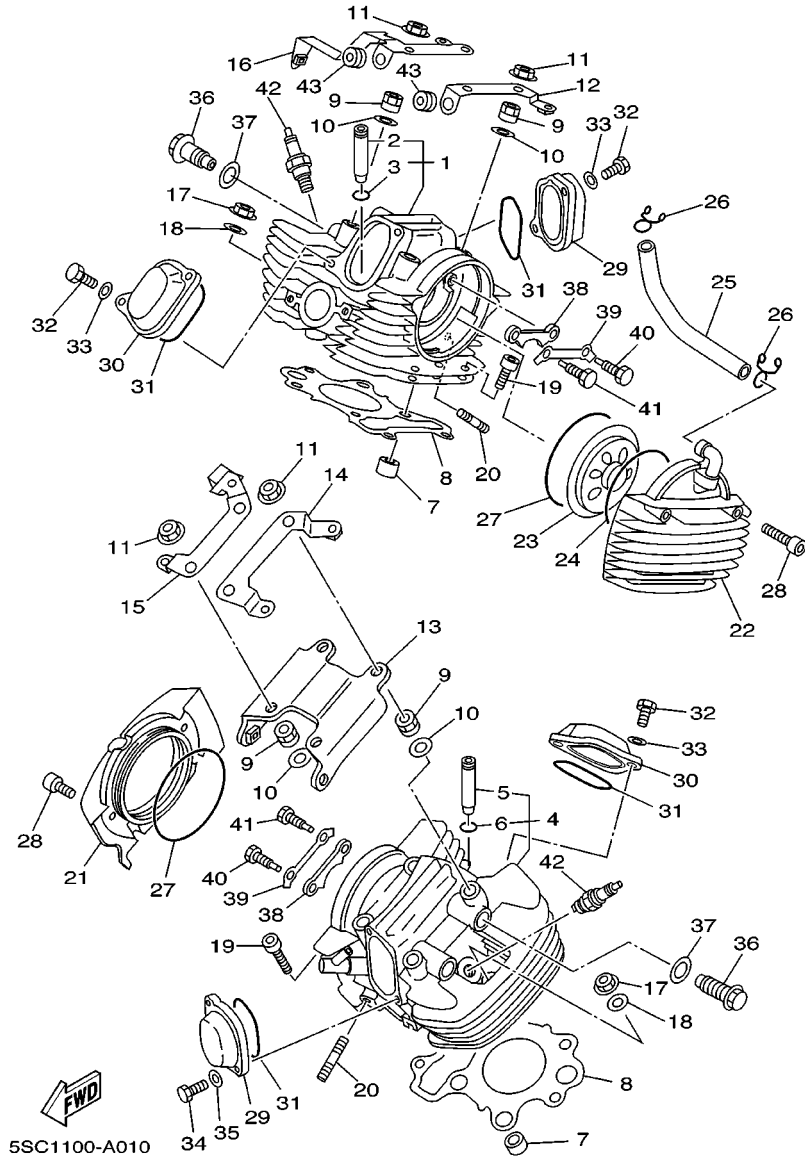
FRAME .....	C12
FENDER .....	C14
SIDE COVER .....	D2
REAR ARM. SUSPENSION .....	D4
DRIVE SHAFT .....	D5
STEERING .....	D7
FRONT FORK .....	D8
FUEL TANK .....	D10
SEAT .....	D12

FRONT WHEEL .....	D13
FRONT BRAKE CALIPER .....	D14
REAR WHEEL .....	D15
STEERING HANDLE. CABLE .....	E3
FRONT MASTER CYLINDER .....	E4
STAND. FOOTREST .....	E5
GENERATOR .....	E8
FLASHER LIGHT .....	E9
METER .....	E10
HEADLIGHT .....	E11
TAILLIGHT .....	E12
HANDLE SWITCH. LEVER .....	E13
ELECTRICAL 1 .....	E14
ELECTRICAL 2 .....	F2

## INDEX

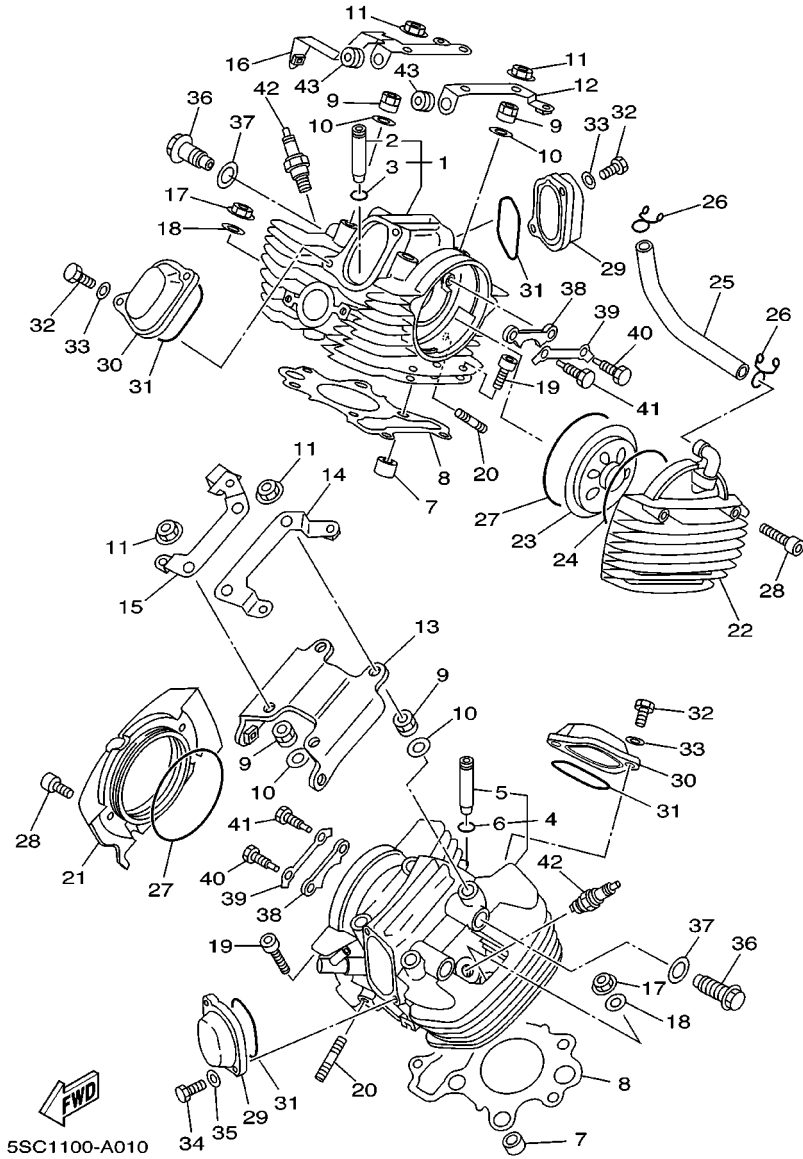
NUMERICAL INDEX .....	M1
-----------------------	----

FIG. 1 CYLINDER HEAD



REF. NO.	PART NO.	DESCRIPTION	5SC5	5SC6	REMARKS
1	5BN-11101-10	CYLINDER HEAD ASSY	1	1	
2	4H7-11133-10	.GUIDE, INTAKE VALVE	2	2	
3	93440-12052	.CIRCLIP	2	2	
4	4XP-11101-11	CYLINDER HEAD ASSY	1	1	
5	4H7-11133-10	.GUIDE, INTAKE VALVE	2	2	
6	93440-12052	.CIRCLIP	2	2	
7	99530-17016	PIN, DOWEL	4	4	
8	4VR-11181-10	GASKET, CYLINDER HEAD 1	2	2	
9	90179-10395	NUT	8	8	
10	90201-10131	WASHER, PLATE	8	8	
11	95707-10500	NUT, FLANGE	8	8	
12	4TR-11142-00	BRACKET, CYLINDER HEAD COVER 2	1	1	
13	4TR-11152-00	BRACKET, CYLINDER HEAD COVER	1	1	
14	4TR-1111F-00	PLATE	1	1	
15	4TR-1112F-00	PLATE 2	1	1	
16	4TR-1135A-00	BRACKET	1	1	
17	90176-08080	NUT, CROWN	2	2	
18	90201-08609	WASHER, PLATE	2	2	
19	90110-08019	BOLT, HEXAGON SOCKET HEAD	4	4	
20	95617-08630	BOLT, STUD	4	4	
21	4TR-11187-11	COVER, CYLINDER HEAD SIDE 3	1	1	
22	4TR-11186-11	COVER, CYLINDER HEAD SIDE 2	1	1	
23	22U-11165-00	PLATE, BREATHER	1	1	
24	93210-89568	O-RING	1	1	
25	4TR-11166-00	PIPE, BREATHER 1	1	1	
26	90467-14015	CLIP	2	2	
27	93211-00612	O-RING	2	2	

FIG. 1 CYLINDER HEAD



REF. NO.	PART NO.	DESCRIPTION	5SC5	5SC6	REMARKS
28	91314-06035	BOLT	4	4	
29	22U-11186-00	COVER, CYLINDER HEAD SIDE 2	2	2	
30	22U-11187-00	COVER, CYLINDER HEAD SIDE 3	2	2	
31	93210-62446	O-RING	4	4	
32	97027-06016	BOLT	6	6	
33	92907-06600	WASHER, PLATE	6	6	
34	97024-06016	BOLT	2	2	
35	92904-06600	WASHER	2	2	
36	90401-16166	BOLT, UNION	4	4	
37	90430-17168	GASKET	4	4	
38	22U-1111F-01	PLATE	2	2	
39	90215-08229	WASHER, LOCK	2	2	
40	90109-08782	BOLT	2	2	
41	90109-08781	BOLT	2	2	
42	94701-00262	PLUG, SPARK (NGK DPR7EA 9)	2	2	
43	90480-13018	GROMMET	2	2	



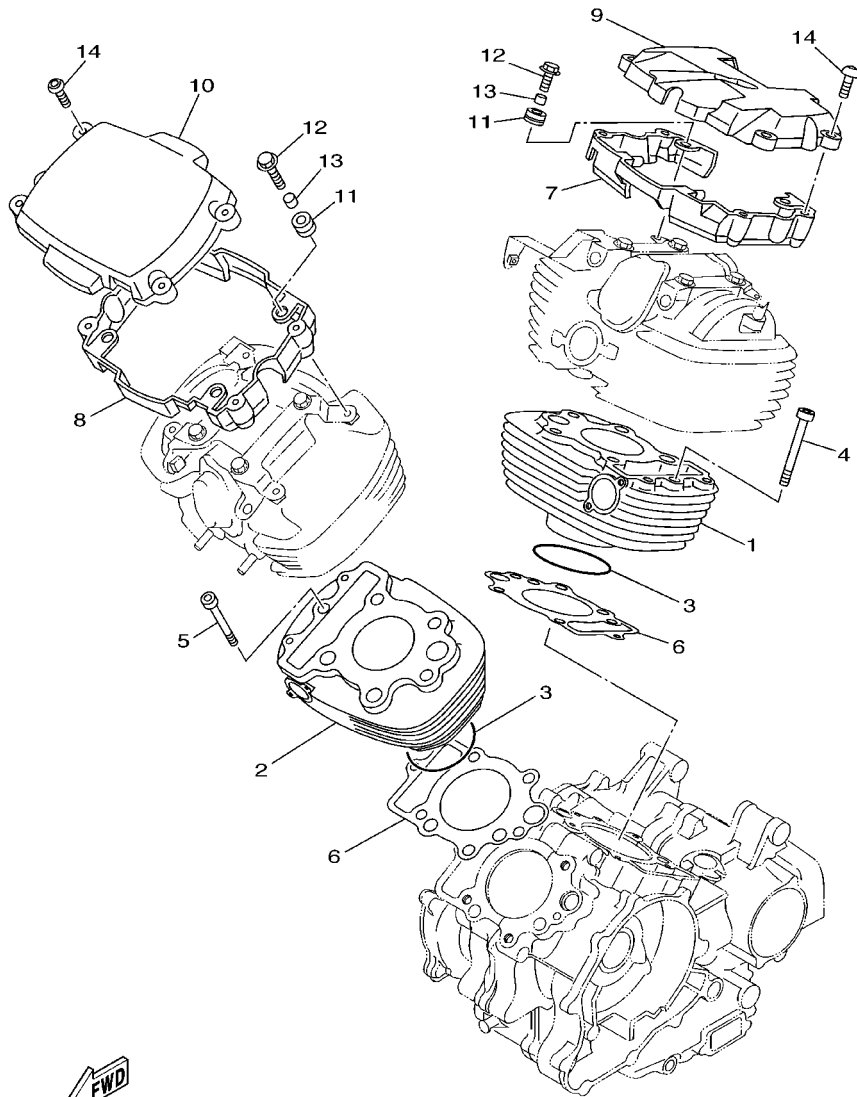
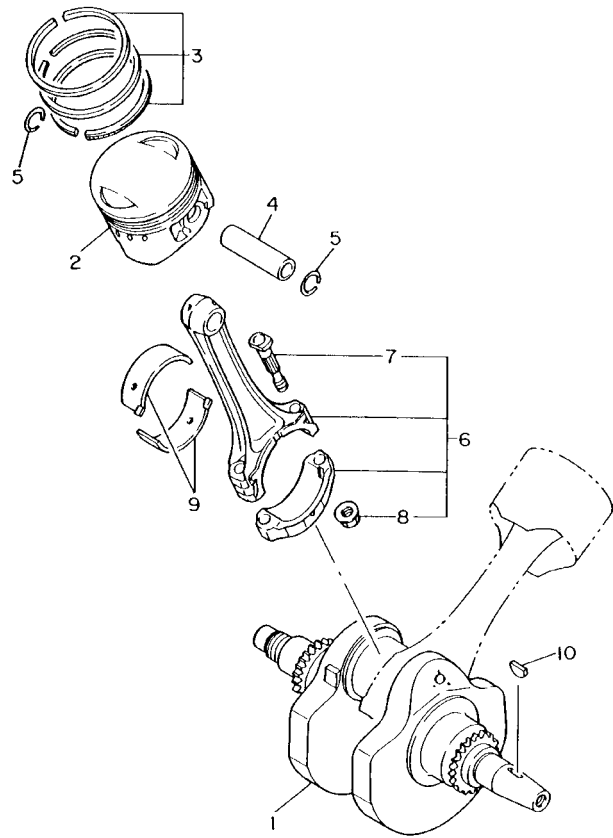


FIG. 2 CYLINDER

REF. NO.	PART NO.	DESCRIPTION	5SC5	5SC6			REMARKS
1	4VR-11310-11	CYLINDER	1	1			
2	4VR-11320-11	CYLINDER 2	1	1			
3	93210-84724	O-RING	2	2			
4	91317-06085	BOLT	1	1			
5	90110-06011	BOLT, HEXAGON SOCKET HEAD	1	1			
6	4VR-11351-00	GASKET, CYLINDER	2	2			
7	4VR-11191-00	COVER, CYLINDER HEAD 1	1	1			
8	4VR-11192-00	COVER, CYLINDER HEAD 2	1	1			
9	4VR-11190-00	COVER, CYLINDER HEAD 1	1	1			
10	4VR-1111N-00	COVER 2	1	1			
11	90480-13018	GROMMET	6	6			
12	90119-06118	BOLT, WITH WASHER	6	6			
13	90387-06043	COLLAR	4	4			
14	90149-06302	SCREW	8	8			

FWD  
5KP1010-0020

**FIG. 3 CRANKSHAFT. PISTON**

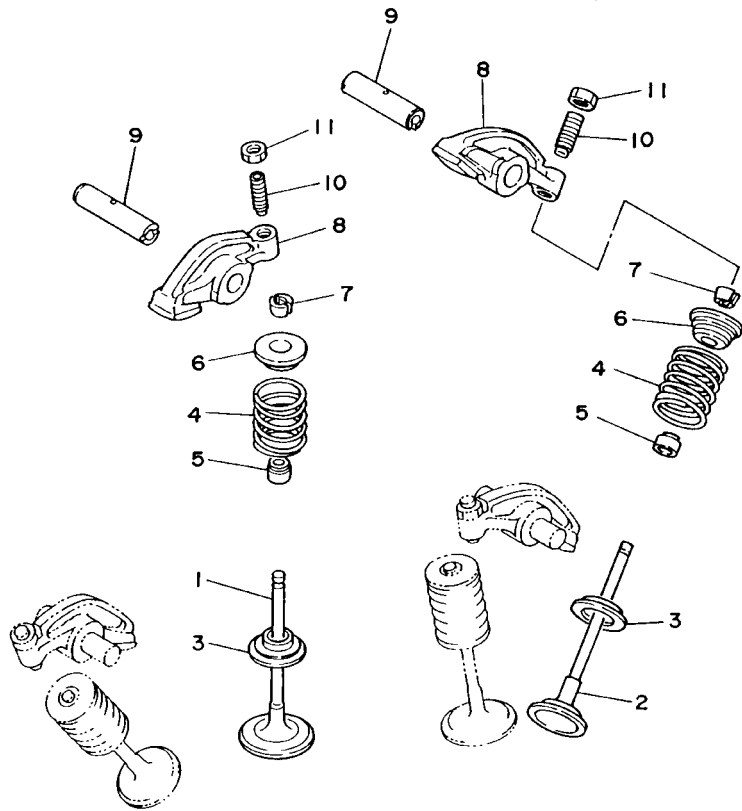


REF. NO.	PART NO.	DESCRIPTION	SSC		REMARKS
			5	6	
1	4VR-11411-00	CRANKSHAFT	1	1	
2	4VR-11631-01-A0	PISTON (STD)	2	2	
	4VR-11636-00	PISTON (0.50MM O/S)	2	2	AP
	4VR-11638-00	PISTON (1.00MM O/S)	2	2	AP
3	4VR-11603-00	PISTON RING SET (STD)	2	2	
	4VR-11605-00	PISTON RING SET (0.50MM O/S)	2	2	AP
	4VR-11607-00	PISTON RING SET (1.00MM O/S)	2	2	AP
4	3LD-11633-00	PIN, PISTON	2	2	
5	93450-22027	CIRCLIP	4	4	
6	4VR-11650-00	CONNECTING ROD ASSY	2	2	
7	22U-11654-00	.BOLT, CONNECTING ROD	2	2	
8	90179-08327	.NUT	2	2	
9	3LD-11656-00	PLANE BEARING, CONNECTING ROD	4	4	UR BLUE
	3LD-11656-10	PLANE BEARING, CONNECTING ROD	4	4	UR BLACK
	3LD-11656-20	PLANE BEARING, CONNECTING ROD	4	4	UR BROWN
	3LD-11656-30	PLANE BEARING, CONNECTING ROD	4	4	UR GREEN
10	90280-05048	KEY, WOODRUFF	1	1	



2GV110-7030

FIG. 4 VALVE

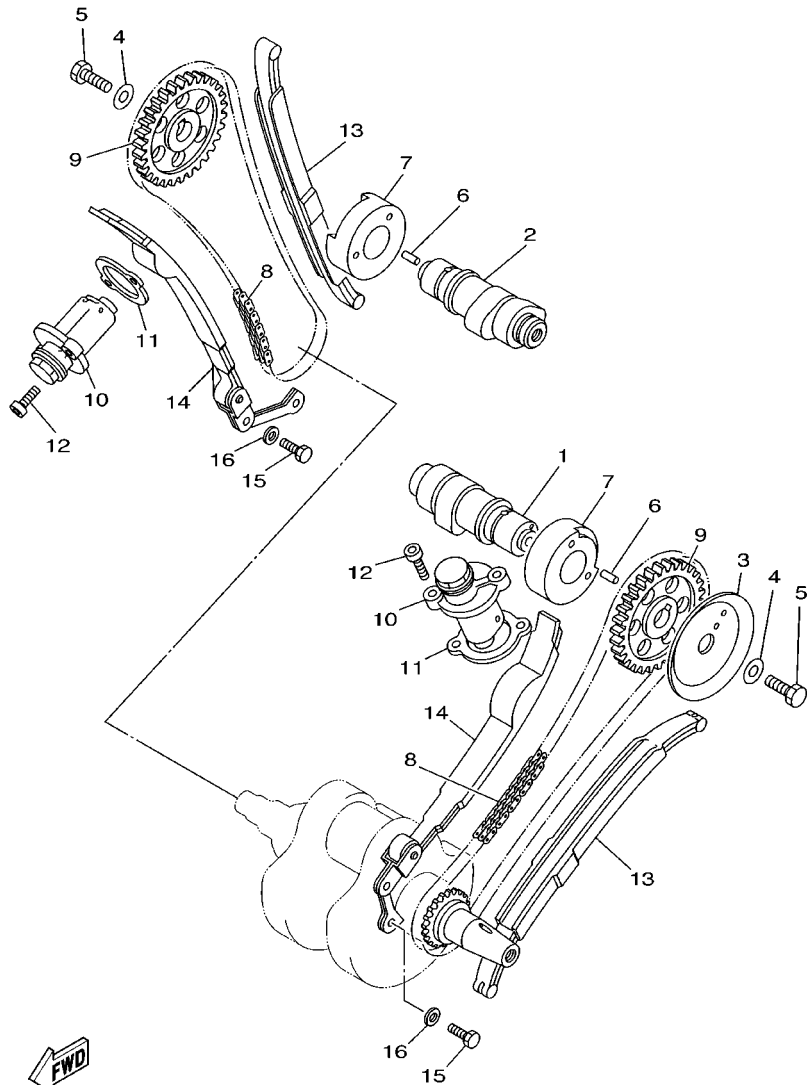


REF. NO.	PART NO.	DESCRIPTION	5SC5	5SC6	REMARKS
1	4VR-12111-00	VALVE, INTAKE	2	2	
2	4VR-12121-00	VALVE, EXHAUST	2	2	
3	3Y1-12116-00	SEAT, VALVE SPRING	4	4	
4	3Y1-12114-01	SPRING, VALVE OUTER	4	4	
5	1J7-12119-01	SEAL, VALVE STEM	4	4	
6	3Y1-12117-01	RETAINER, VALVE SPRING	4	4	
7	1J7-12118-00	COTTER, VALVE	8	8	
8	22U-12151-00	ARM, VALVE ROCKER	4	4	
9	22U-12156-01	SHAFT, ROCKER 2	4	4	
10	22U-12159-00	SCREW, VALVE ADJUSTING	4	4	
11	90170-06128	NUT	4	4	



4TR1010-6040

FIG. 5 CAMSHAFT. CHAIN

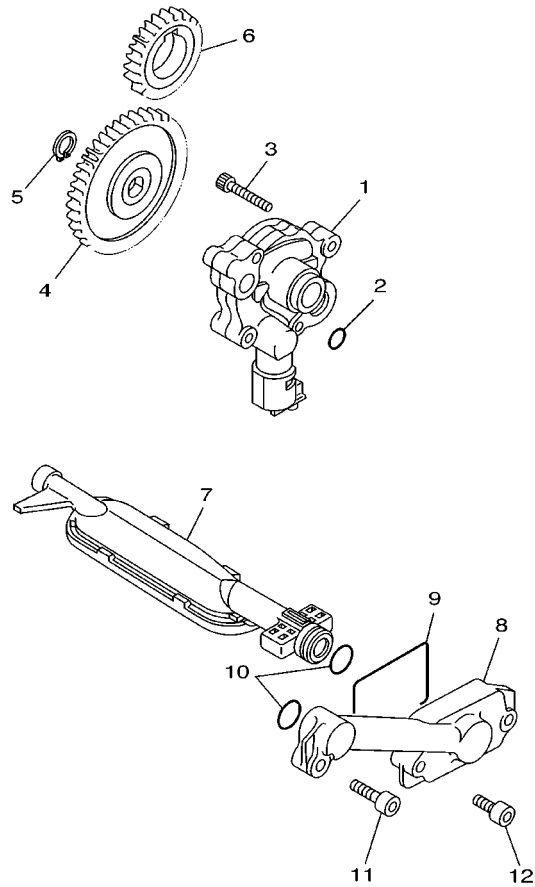


REF. NO.	PART NO.	DESCRIPTION	5SC5	5SC6				REMARKS
1	4VR-12171-00	CAMSHAFT 1	1	1				
2	4VR-12181-00	CAMSHAFT 2	1	1				
3	22U-11145-00	PLATE, BREATHER 2	1	1				
4	90201-10591	WASHER, PLATE	2	2				
5	90101-10303	BOLT	2	2				
6	93605-10108	PIN, DOWEL	2	2				
7	90380-28131	BUSH, SOLID	2	2				
8	94591-41118	CHAIN	2	2				
9	22U-12176-01	SPROCKET, CAM CHAIN	2	2				
10	11H-12210-02	TENSIONER ASSY, CAM CHAIN	2	2				
11	3BT-12213-00	GASKET, TENSIONER CASE	2	2				
12	91314-06025	BOLT	4	4				
13	4VR-12231-00	GUIDE, STOPPER 1	2	2				
14	22U-12241-00	GUIDE, STOPPER 2	2	2				
15	97027-06016	BOLT	4	4				
16	92907-06600	WASHER, PLATE	4	4				



4VR1300-7050

**FIG. 6 OIL PUMP**

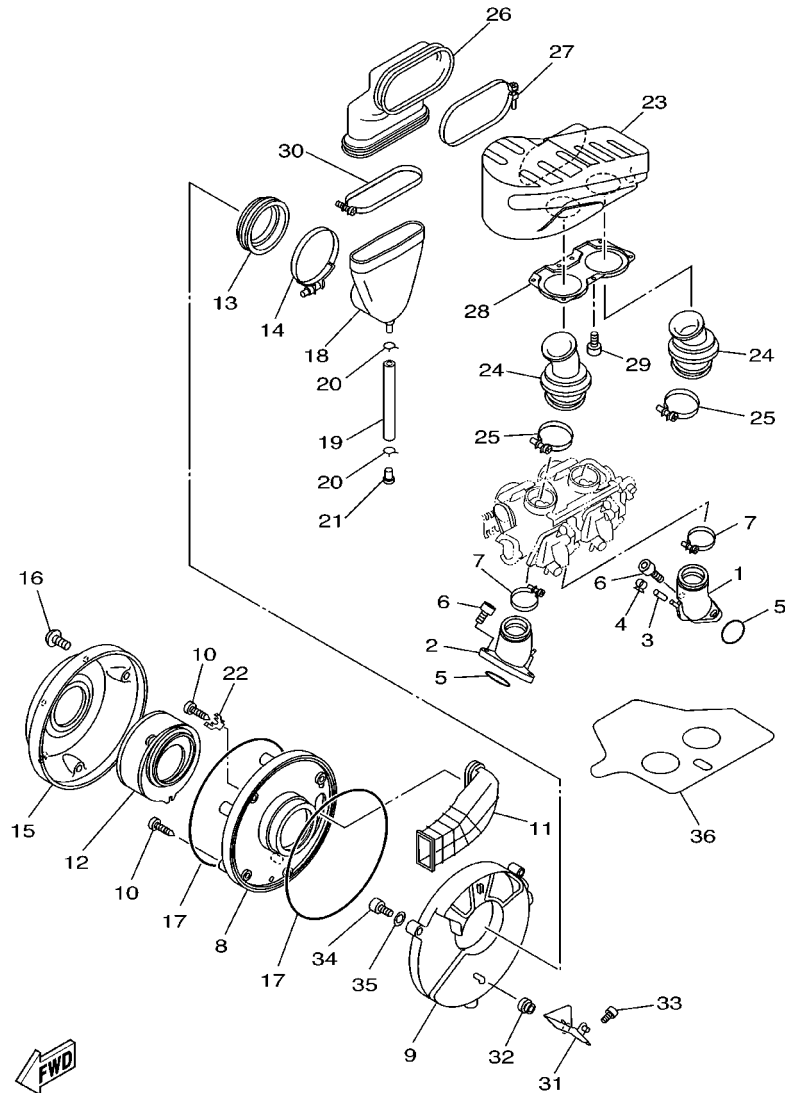


REF. NO.	PART NO.	DESCRIPTION	5SC5	5SC6				REMARKS
1	4VR-13300-00	OIL PUMP ASSY	1	1				
2	93210-10096	O-RING	1	1				
3	91317-06030	BOLT	3	3				
4	4VR-13325-00	GEAR, PUMP DRIVEN	1	1				
5	99009-11400	CIRCLIP	1	1				
6	22U-13324-00	GEAR, DRIVE (24T)	1	1				
7	4TR-13410-00	STRAINER HOUSING ASSY	1	1				
8	4VR-13417-00	COVER, STRAINER	1	1				
9	22U-13415-00	SEAL, OIL STRAINER	1	1				
10	93210-15151	O-RING	2	2				
11	91314-06025	BOLT	1	1				
12	91314-06020	BOLT	2	2				



4VR1300-7060

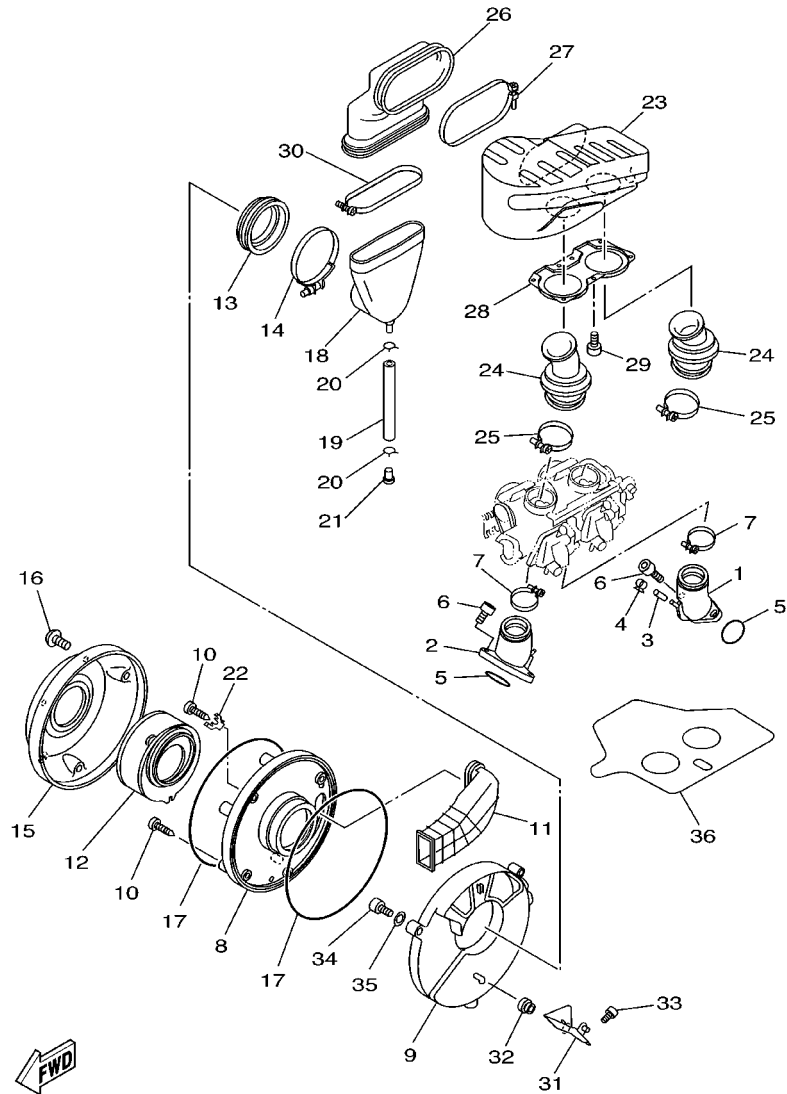
FIG. 7 INTAKE



4XP3361-8070

REF. NO.	PART NO.	DESCRIPTION	SSC5	SSC6				REMARKS
1	4TR-13586-01	JOINT, CARBURETOR 1	1	1				
2	4TR-13596-01	JOINT, CARBURETOR 2	1	1				
3	16G-13569-00	PLUG, BLIND	1	1				
4	90467-10039	CLIP	1	1				
5	93210-36769	O-RING	2	2				
6	91317-06020	BOLT	4	4				
7	4TR-13474-00	BAND	2	2				
8	4TR-14411-00	CASE, AIR CLEANER 1	1	1				
9	4TR-14417-00	COVER 1	1	1				
10	97707-50125	SCREW, TAPPING	4	4				
11	4TR-14437-00	DUCT	1	1				
12	4TR-14451-00	ELEMENT, AIR CLEANER	1	1				
13	4TR-14463-00	JOINT, AIR CLEANER 2	1	1				
14	4TR-14456-00	BAND	1	1				
15	4TR-14421-00	CASE, AIR CLEANER 2	1	1				
16	92014-05016	BOLT, BUTTON HEAD	3	3				
17	4TR-14452-00	SEAL	2	2				
18	4TR-1440G-00	JOINT, AIR FILTER 2	1	1				
19	90445-11587	HOSE (L100)	1	1				
20	90467-11106	CLIP	2	2				
21	90338-08174	PLUG	1	1				
22	4TR-14413-00	STAY	1	1				
23	4VR-14431-00	SILENCER, INTAKE 1	1	1				
24	4TR-14453-00	JOINT, AIR CLEANER 1	2	2				
25	90460-53200	CLAMP, HOSE	2	2				
26	4TR-1440F-00	JOINT, AIR FILTER 1	1	1				
27	4TR-13575-00	BAND	1	1				

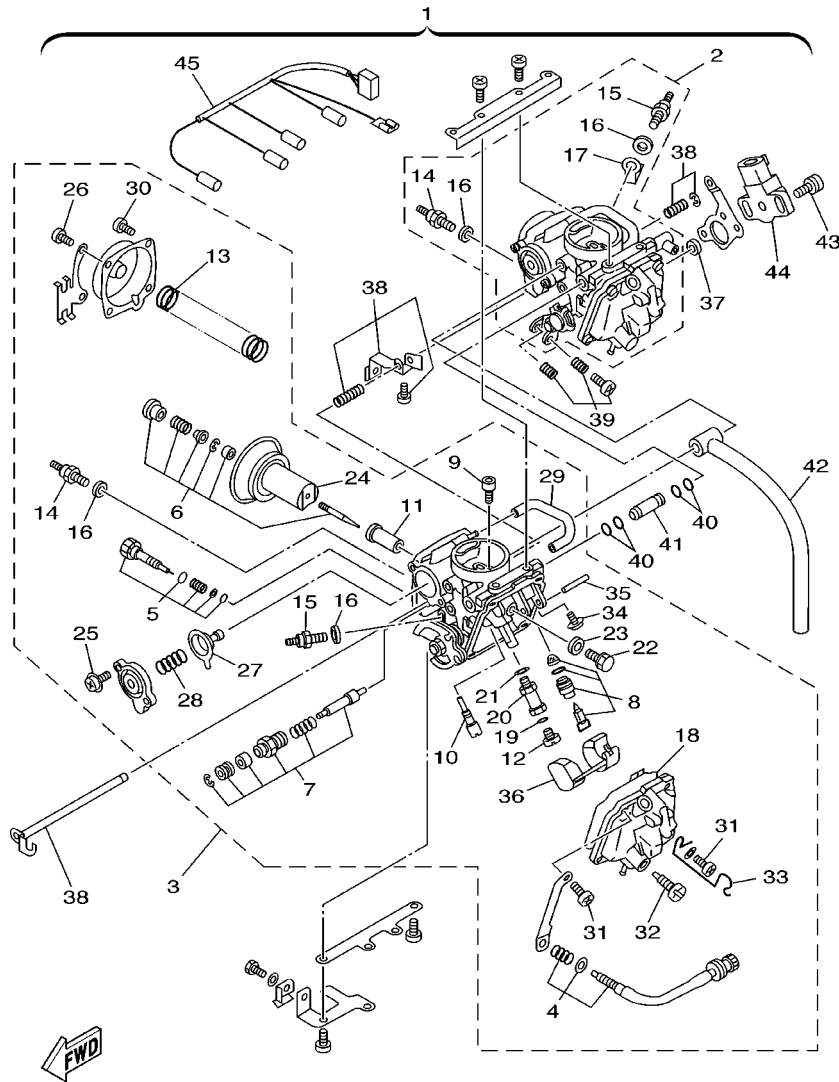
**FIG. 7 INTAKE**



REF. NO.	PART NO.	DESCRIPTION	5SC5	5SC6				REMARKS
28	4VR-13594-00	COVER, MANIFOLD 2	1	1				
29	97707-40106	SCREW, TAPPING	7	7				
30	4TR-14455-00	BAND	1	1				
31	4TR-14499-00	STAY 2	1	1				
32	90480-13398	GROMMET	1	1				
<hr/>								
33	91317-06016	BOLT	2	2				
34	91317-06020	BOLT	2	2				
35	92907-06600	WASHER, PLATE	2	2				
36	4TR-12682-00	PROTECTOR, HEAT	1	1				
<hr/>								
<hr/>								
<hr/>								
<hr/>								
<hr/>								
<hr/>								
<hr/>								
<hr/>								

**FWD**  
4XP3361-8070

**FIG. 8 CARBURETOR**

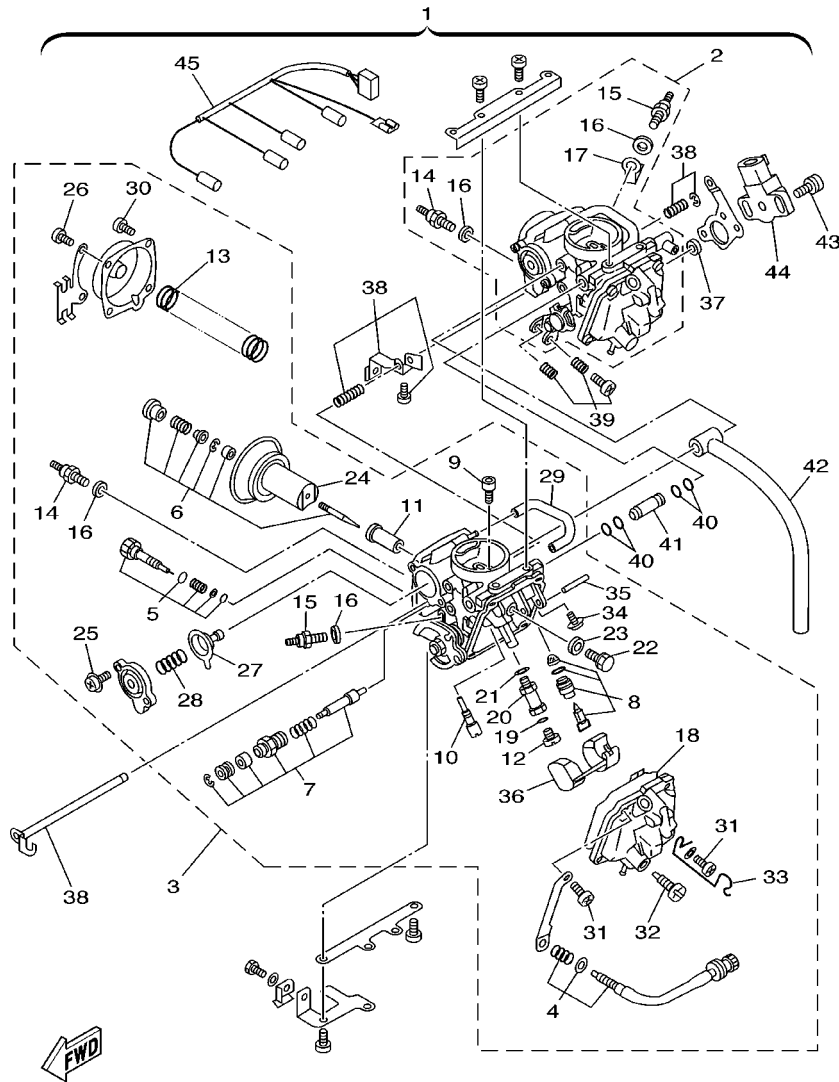


4VRD300-1080

REF. NO.	PART NO.	DESCRIPTION	5SC5	5SC6	REMARKS
1	5BN-14900-31	CARBURETOR ASSY	1		
	5BN-14900-21	CARBURETOR ASSY		1	
2	5BN-14901-31	..CARBURETOR ASSY 1	1		(#1)REAR
	5BN-14901-21	..CARBURETOR ASSY 1		1	(#1)REAR
3	5BN-14902-31	..CARBURETOR ASSY 2	1		(#2)FRONT
	5BN-14902-21	..CARBURETOR ASSY 2		1	(#2)FRONT
4	4TR-14103-00	..THROTTLE SCREW SET	1	1	(#2)FRONT
5	4TR-14105-00	..PILOT SCREW SET	1	1	
6	4XP-1490J-00	..NEEDLE SET	1	1	
7	4DN-1410A-01	..STARTER SET	1	1	
8	3CF-14107-10	..NEEDLE VALVE SET	1	1	
9	1HX-14231-20	..JET,PILOT AIR(#100)	1	1	
10	4KM-14142-20	..JET, PILOT (#20)	1	1	
11	3DM-14141-34	..NOZZLE, MAIN	1	1	
12	3G2-14231-18	..JET, MAIN (#90)	1	1	
13	4VR-14933-00	..SPRING, DIAPHRAGM	1	1	
14	5FU-83790-00	..HEATER ASSY	1	1	
15	5FU-83790-20	..HEATER ASSY	1	1	
16	90201-08016	..WASHER, PLATE	2	2	
17	4DH-82103-00	..TERMINAL 1	1	1	(#1)REAR
18	1HX-14147-00	..O-RING	1	1	
19	1AE-14227-00	..O-RING	1	1	
20	1AE-14261-00	..HOLDER	1	1	
21	1AE-14237-00	..GASKET	1	1	
22	1HX-14565-00	..SCREW	1	1	
23	137-14153-00	..WASHER, MAIN JET	1	1	
24	4TR-14940-00	..DIAPHRAGM ASSY	1		



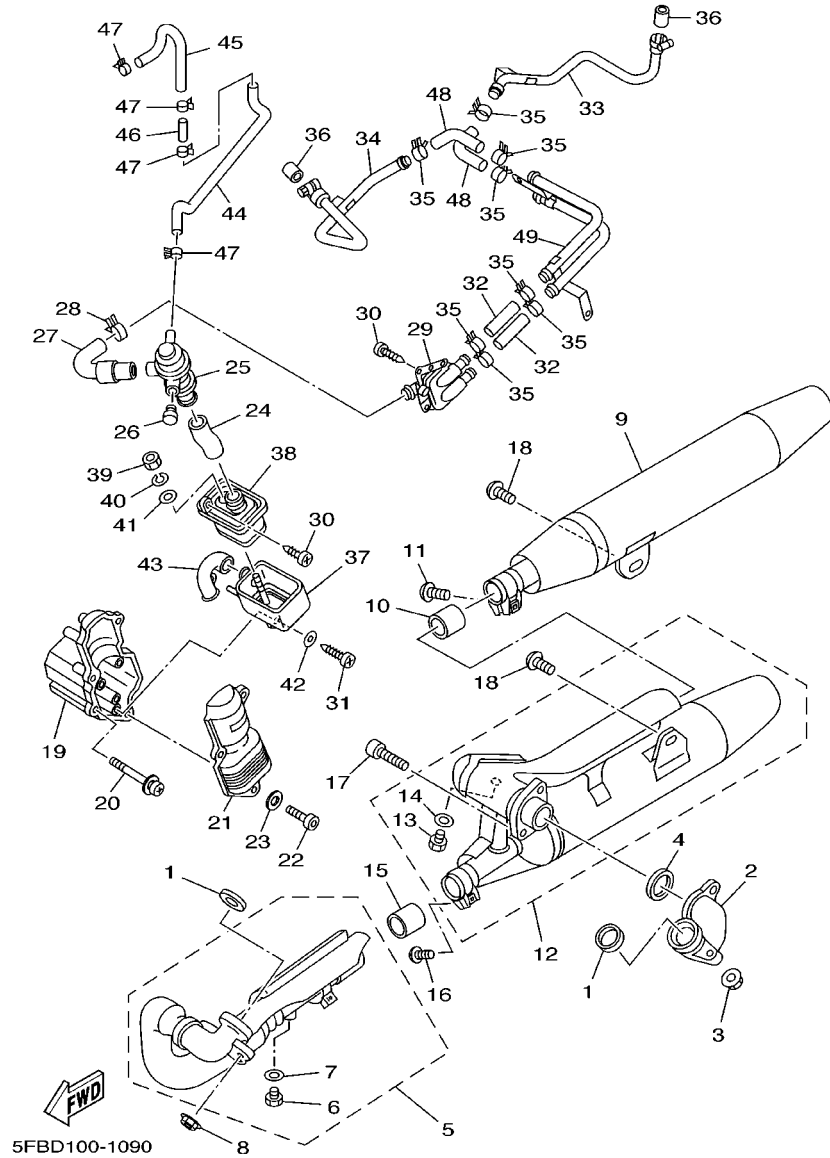
FIG. 8 CARBURETOR



4VRD300-1080

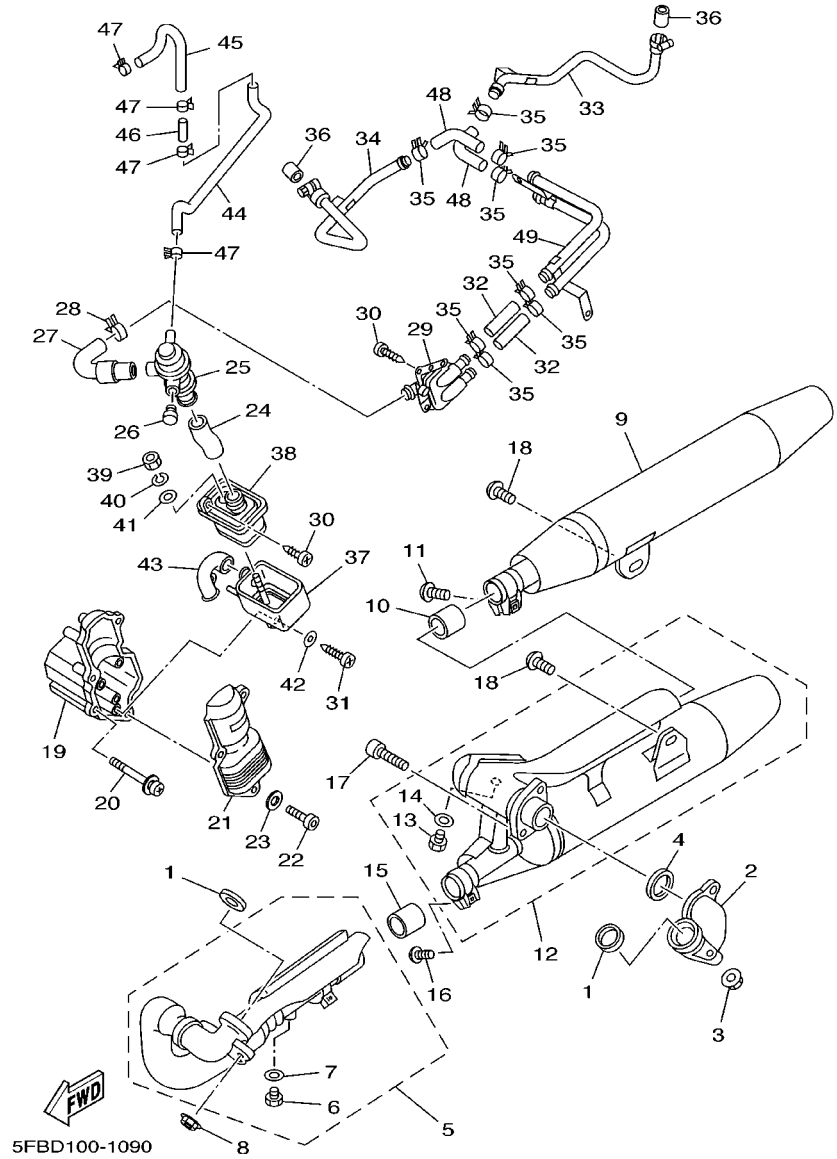
REF. NO.	PART NO.	DESCRIPTION	5SC5	5SC6	REMARKS
24	4XR-14940-00	..DIAPHRAGM ASSY		1	
25	1UY-14565-00	..SCREW	2	2	
26	3KW-14486-00	..SCREW, ROD	2	2	(#2)FRONT
27	22V-14940-00	..DIAPHRAGM ASSY	1	1	
28	26H-14275-00	..SPRING	1	1	
29	4TR-14348-00	..PIPE 1	1	1	
30	98507-04008	..SCREW, PAN HEAD	4	4	UR (#1)REAR
	98507-04008	..SCREW, PAN HEAD	2	2	UR (#2)FRONT
31	98507-04014	..SCREW, PAN HEAD	4	4	
32	12R-14191-00	..PLUG, DRAIN	1	1	
33	4TR-14937-00	..CLIP	1	1	(#2)FRONT
34	1FN-14565-00	..SCREW	1	1	
35	353-14186-00	..PIN, FLOAT	1	1	
36	1HX-14985-00	..FLOAT	1	1	
37	4HM-14239-00	..SEAL	1	1	
38	4TR-1490L-00	..STARTER LEVER SET, 1	1	1	
39	3KW-1490K-00	..STOP SCREW SET	1	1	
40	36Y-14147-00	..O-RING	4	4	
41	1WG-14251-00	..NIPPLE	1	1	
42	4TR-14987-00	..HOSE	1	1	
43	4KM-24453-00	..SCREW	2	2	
44	4NK-85885-00	..THROTTLE POSITION SENSOR ASSY	1	1	
45	4TR-81517-00	..WIRE, SUB LEAD	1	1	

FIG. 9 EXHAUST



REF. NO.	PART NO.	DESCRIPTION	5SC5	5SC6				REMARKS
1	4TR-14613-00	GASKET, EXHAUST PIPE	2	2				
2	4TR-14615-02	JOINT, EXHAUST 1	1	1				
3	90185-08097	NUT, SELF-LOCKING	2	2				
4	4BR-14613-00	GASKET, EXHAUST PIPE	1	1				
5	5BN-14620-00	EXHAUST PIPE ASSY 2	1	1				
6	90101-06576	.BOLT	1	1				
7	92990-06600	.WASHER, PLATE	1	1				
8	90185-08097	NUT, SELF-LOCKING	2	2				
9	4VR-14703-03	MUFFLER COMP. 1	1	1				
10	4BH-14714-00	GASKET, MUFFLER	1	1				
11	92017-08025	BOLT, BUTTON HEAD	1	1				
12	4VR-14704-03	MUFFLER COMP. 2	1	1				
13	90101-06576	.BOLT	1	1				
14	92990-06600	.WASHER, PLATE	1	1				
15	4BH-14714-00	GASKET, MUFFLER	1	1				
16	92017-08025	BOLT, BUTTON HEAD	1	1				
17	91314-08035	BOLT	2	2				
18	92017-10020	BOLT, BUTTON HEAD	2	2				
19	5BN-14604-00	COVER, AIR 1	1	1				
20	90159-06200	SCREW, WITH WASHER	3	3				
21	5BN-14603-00	COVER 1	1	1				
22	91314-06020	BOLT	3	3				
23	92907-06200	WASHER	3	3				
24	5BN-14882-00	HOSE, BEND 2	1	1				
25	5BN-14840-00	AIR CUT VALVE ASS'Y	1	1				
26	90338-10132	PLUG	1	1				
27	5BN-14883-00	HOSE, BEND 3	1	1				

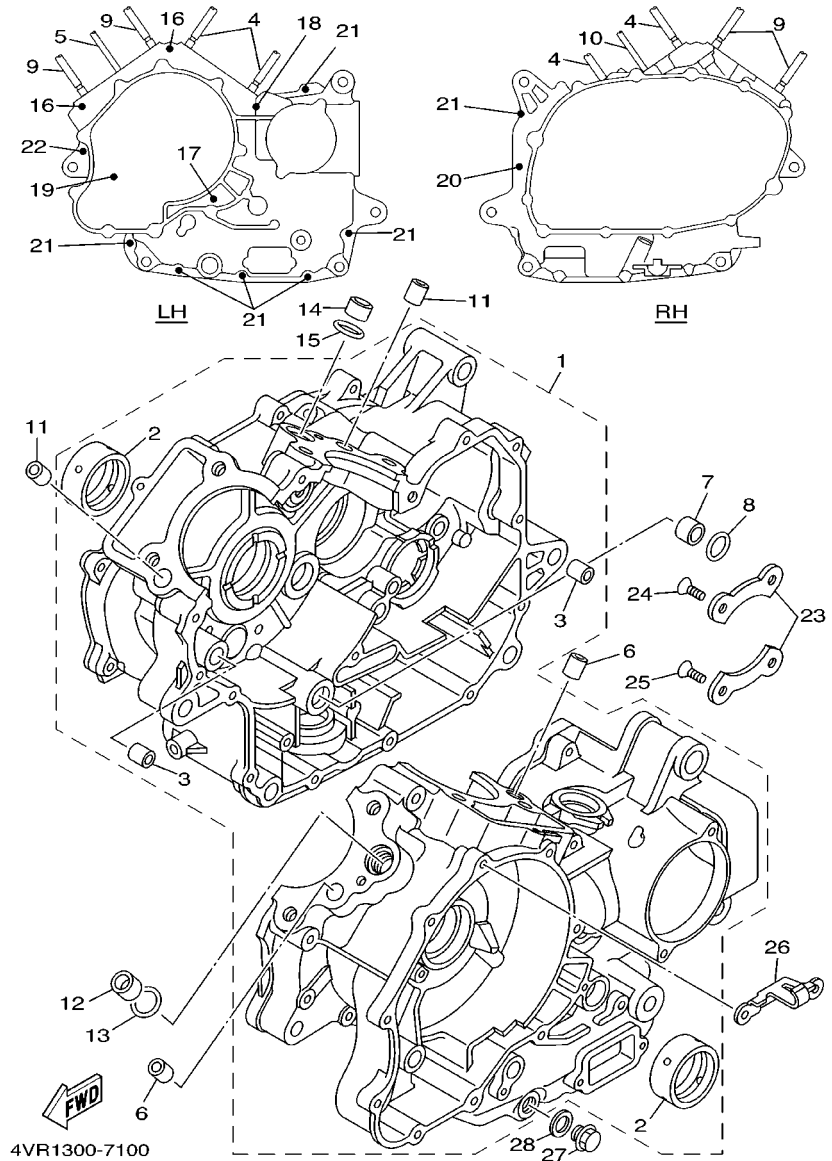
FIG. 9 EXHAUST



5FBD100-1090

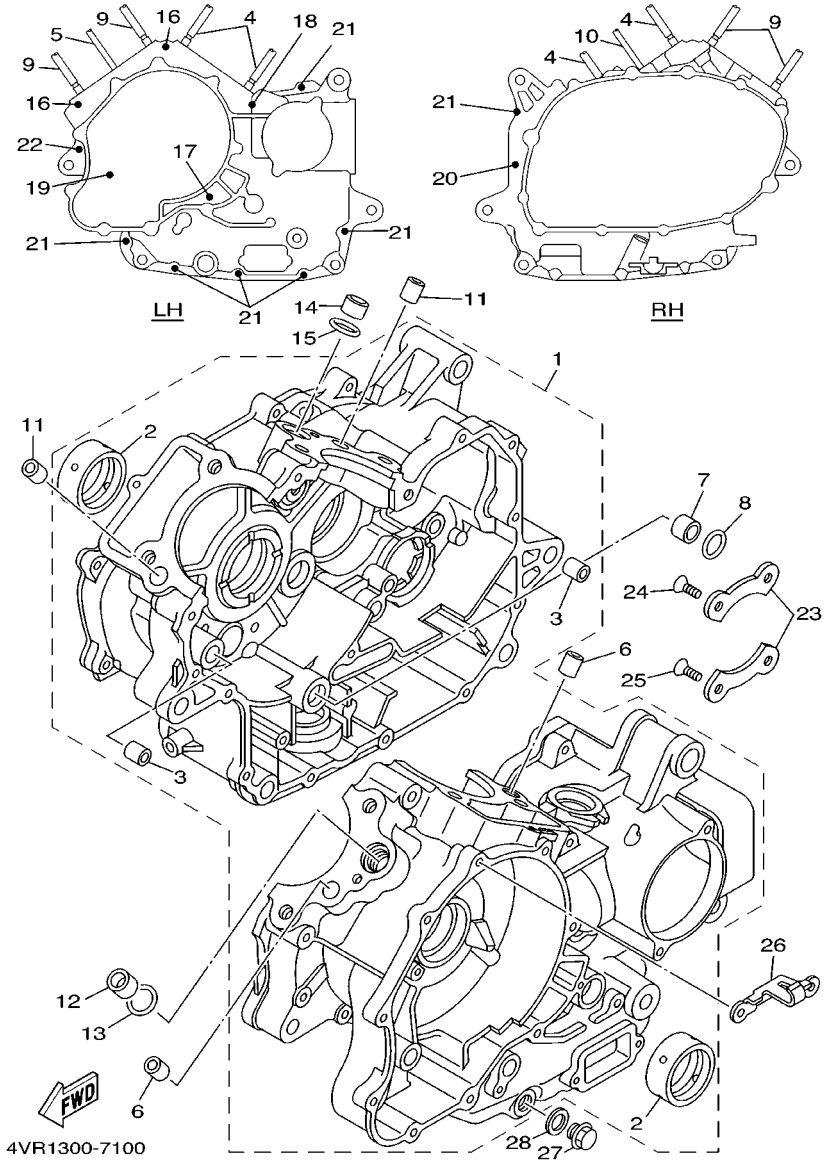
REF. NO.	PART NO.	DESCRIPTION	5SC5	5SC6				REMARKS
28	90467-19065	CLIP	1	1				
29	5BN-14808-00	REED VALVE ASSY	1	1				
30	97707-60114	SCREW, TAPPING	4	4				
31	97707-60120	SCREW, TAPPING	1	1				
32	5BN-14884-00	HOSE, BEND 4	2	2				
33	5BN-14871-00	PIPE 1	1	1				
34	5BN-14872-00	PIPE 2	1	1				
35	90468-08104	CLIP	8	8				
36	42H-14714-10	GASKET, MUFFLER	2	2				
37	5BN-14857-01	CASE, AIR CLEANER	1	1				
38	5BN-14858-00	CAP, CASE	1	1				
39	95607-05100	NUT, U	1	1				
40	92907-05200	WASHER	1	1				
41	90202-05057	WASHER, PLATE	1	1				
42	90201-062P7	WASHER, PLATE	1	1				
43	5BN-14885-00	HOSE, BEND 5	1	1				
44	5BN-13542-00	HOSE, VACUUM SENSING 1	1	1				
45	5BN-13544-00	HOSE, VACUUM SENSING 2	1	1				
46	4MM-13582-00	PIPE	1	1				
47	90467-08092	CLIP	4	4				
48	5BN-14881-00	HOSE, BEND 1	2	2				
49	5BN-14875-00	PIPE 5	1	1				

**FIG. 10 CRANKCASE**



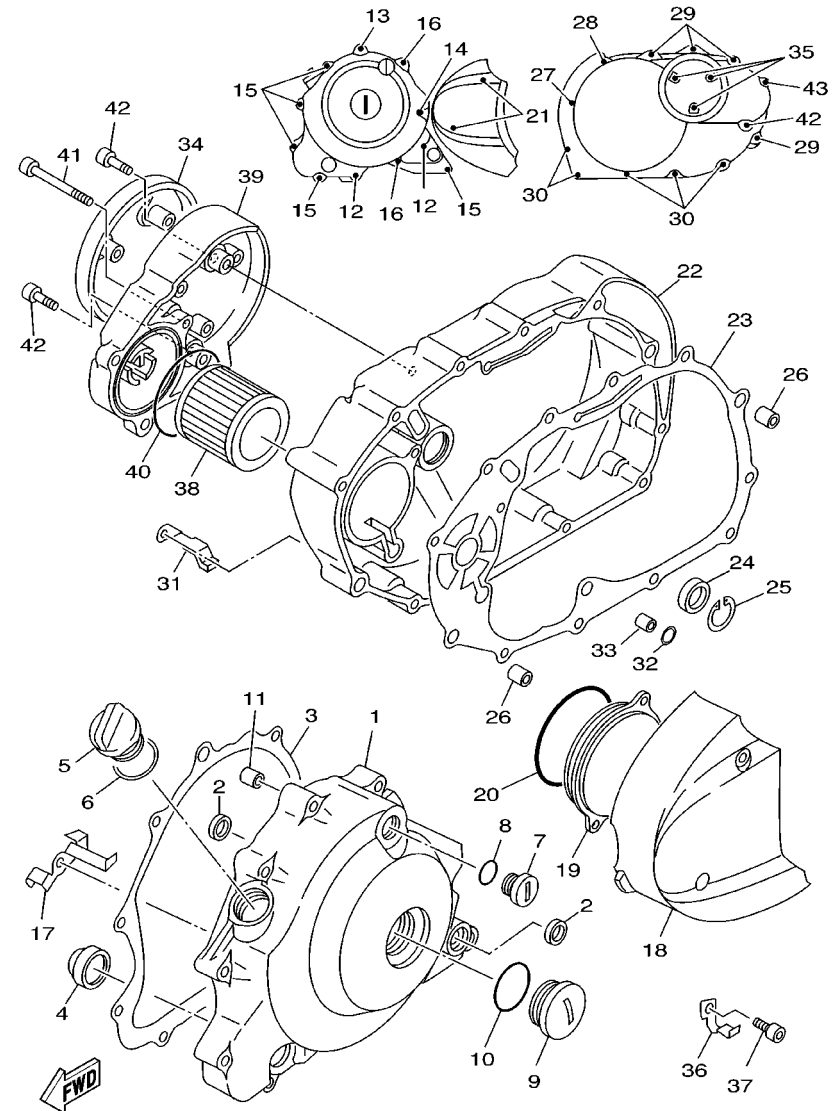
REF. NO.	PART NO.	DESCRIPTION	SSC5	SSC6	REMARKS
1	4TR-15100-15	CRANKCASE ASSY	1	1	
2	22U-11416-80	.PLANE BEARING, CRANKSHAFT 1	2	2	UR BLUE
	22U-11416-90	.PLANE BEARING, CRANKSHAFT 1	2	2	UR GREEN
3	91815-16017	.PIN, DOWEL	2	2	
4	90116-10611	BOLT, STUD	4	4	
5	90116-08404	BOLT, STUD	1	1	
6	99530-14016	PIN, DOWEL	2	2	
7	90387-16547	COLLAR	1	1	
8	93210-18322	O-RING	1	1	
9	90116-10405	BOLT, STUD	4	4	
10	90116-08404	BOLT, STUD	1	1	
11	99530-14016	PIN, DOWEL	2	2	
12	90387-16547	COLLAR	1	1	
13	93210-18322	O-RING	1	1	
14	90387-16547	COLLAR	1	1	
15	93210-18322	O-RING	1	1	
16	91314-08060	BOLT	2	2	
17	91317-08080	BOLT	1	1	
18	91314-08100	BOLT	1	1	
19	91317-06095	BOLT	1	1	
20	91380-06045	BOLT	1	1	
21	91317-06045	BOLT	7	7	
22	91314-06055	BOLT	1	1	
23	11H-15383-02	PLATE, BEARING COVER	2	2	
24	90151-08022	SCREW, COUNTERSUNK	1	1	
25	90149-08152	SCREW	3	3	
26	22U-15441-01	HOLDER, CLUTCH CABLE	1	1	

**FIG. 10 CRANKCASE**



REF. NO.	PART NO.	DESCRIPTION	SSC5	SSC6	REMARKS
27	90340-14132	PLUG, STRAIGHT SCREW	1	1	
28	214-11198-01	GASKET	1	1	

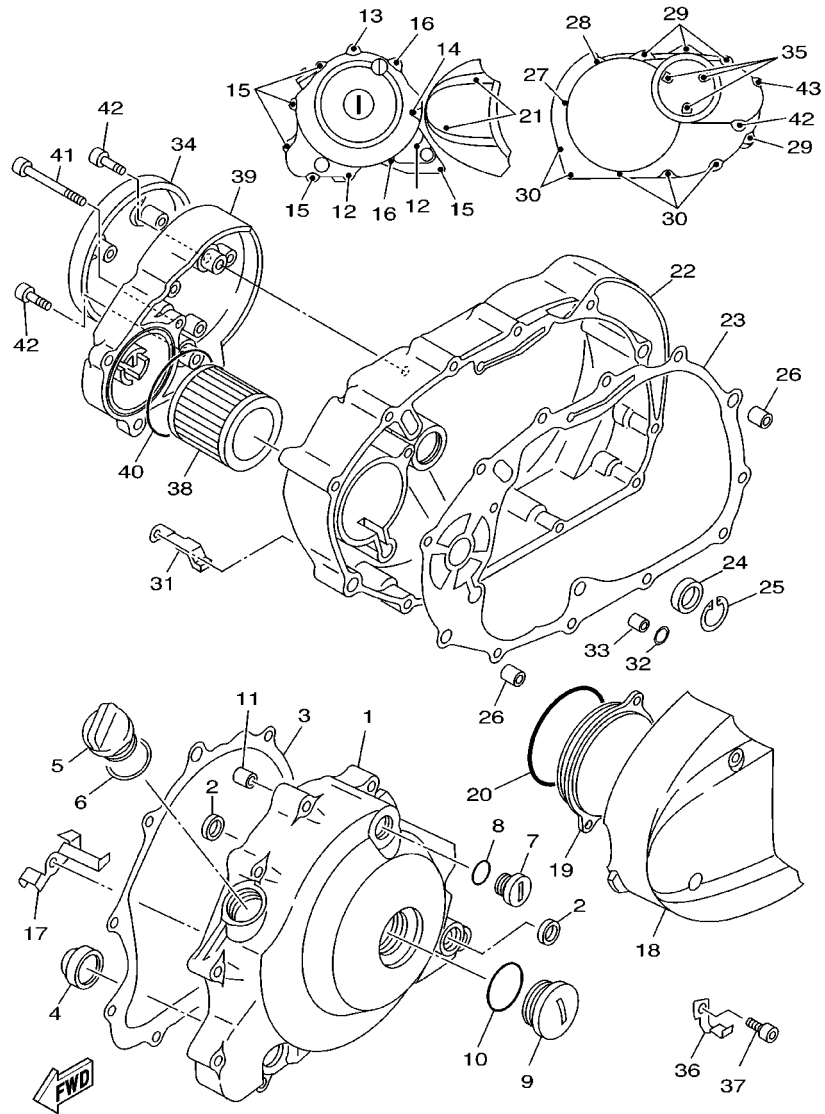
FIG. 11 CRANKCASE COVER 1



4TR1010-6110

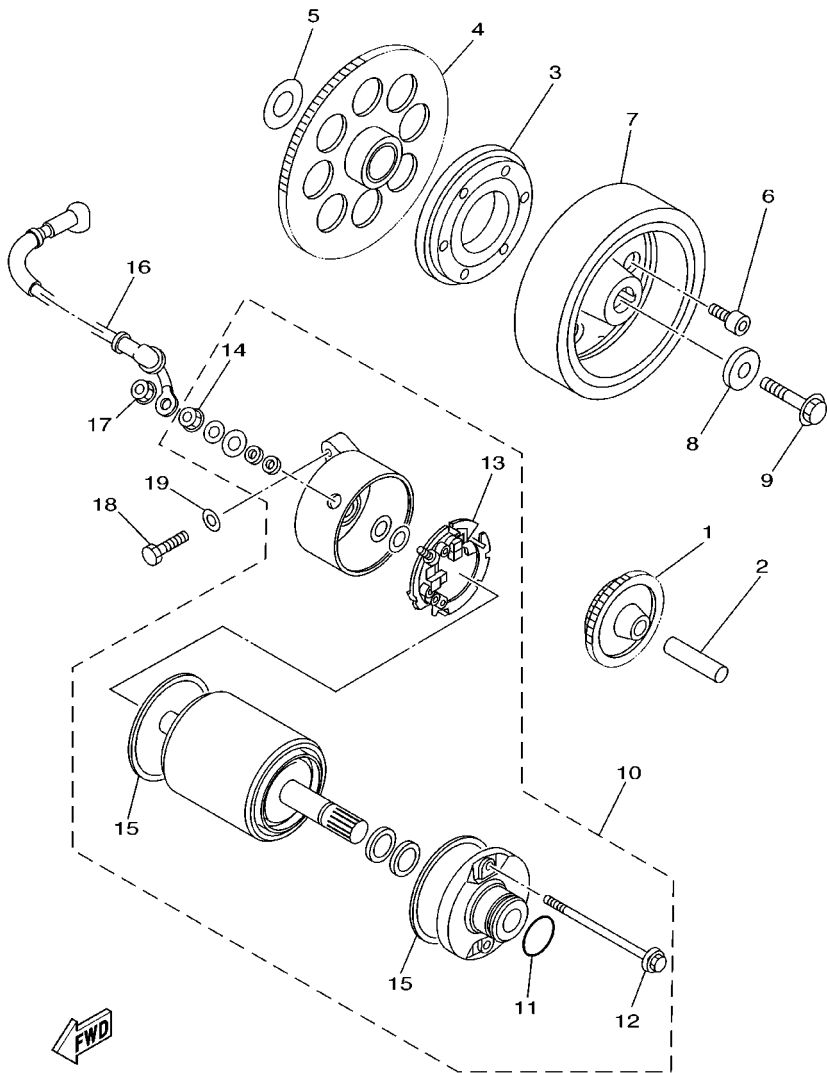
REF. NO.	PART NO.	DESCRIPTION	SSC5	SSC6	REMARKS
1	4TR-15411-00	COVER, CRANKCASE 1	1	1	
2	93109-12075	OIL SEAL	2	2	
3	4VR-15451-00	GASKET, CRANKCASE COVER 1	1	1	
4	2H7-15361-00	GAUGE, LEVEL	1	1	
5	3F9-15362-00	PLUG, OIL LEVEL	1	1	
6	93210-27370	O-RING	1	1	
7	90340-14153	PLUG, STRAIGHT SCREW	1	1	
8	93210-14369	O-RING	1	1	
9	90340-32140	PLUG, STRAIGHT SCREW	1	1	
10	93210-32172	O-RING	1	1	
11	99530-10114	PIN, DOWEL	2	2	
12	91314-06040	BOLT	2	2	
13	91314-06045	BOLT	1	1	
14	91314-06055	BOLT	1	1	
15	91314-06030	BOLT	5	5	
16	91314-06035	BOLT	2	2	
17	3BT-15484-00	CLAMP 2	1	1	
18	4TR-15415-00	COVER, GENERATOR	1	1	
19	4TR-15424-00	COVER 2	1	1	
20	93210-74316	O-RING	1	1	
21	91314-06025	BOLT	2	2	
22	4TR-15421-00	COVER, CRANKCASE 2	1	1	
23	4VR-15461-00	GASKET, CRANKCASE COVER 2	1	1	
24	93101-14089	OIL SEAL	1	1	
25	99009-25500	CIRCLIP	1	1	
26	99530-10120	PIN, DOWEL	2	2	
27	91314-06065	BOLT	1	1	

FIG. 11 CRANKCASE COVER 1



4TR1010-6110

REF. NO.	PART NO.	DESCRIPTION	SSC5	SSC6	REMARKS
28	91314-06055	BOLT	1	1	
29	91314-06045	BOLT	4	4	
30	91314-06030	BOLT	5	5	
31	90462-10115	CLAMP	4	4	
32	93210-15566	O-RING	1	1	
33	91815-16017	PIN, DOWEL	1	1	
34	4VR-15423-00	COVER 2	1	1	
35	92014-06035	BOLT, BUTTON HEAD	3	3	
36	90462-08070	CLAMP	1	1	
37	91317-06012	BOLT	1	1	
38	4X7-13440-01	ELEMENT ASSY, OIL CLEANER	1	1	
39	4TR-13447-00	COVER, OIL ELEMENT	1	1	
40	93210-64297	O-RING	1	1	
41	90110-06010	BOLT, HEXAGON SOCKET HEAD	1	1	
42	91314-06025	BOLT	3	3	
43	91314-06070	BOLT	1	1	



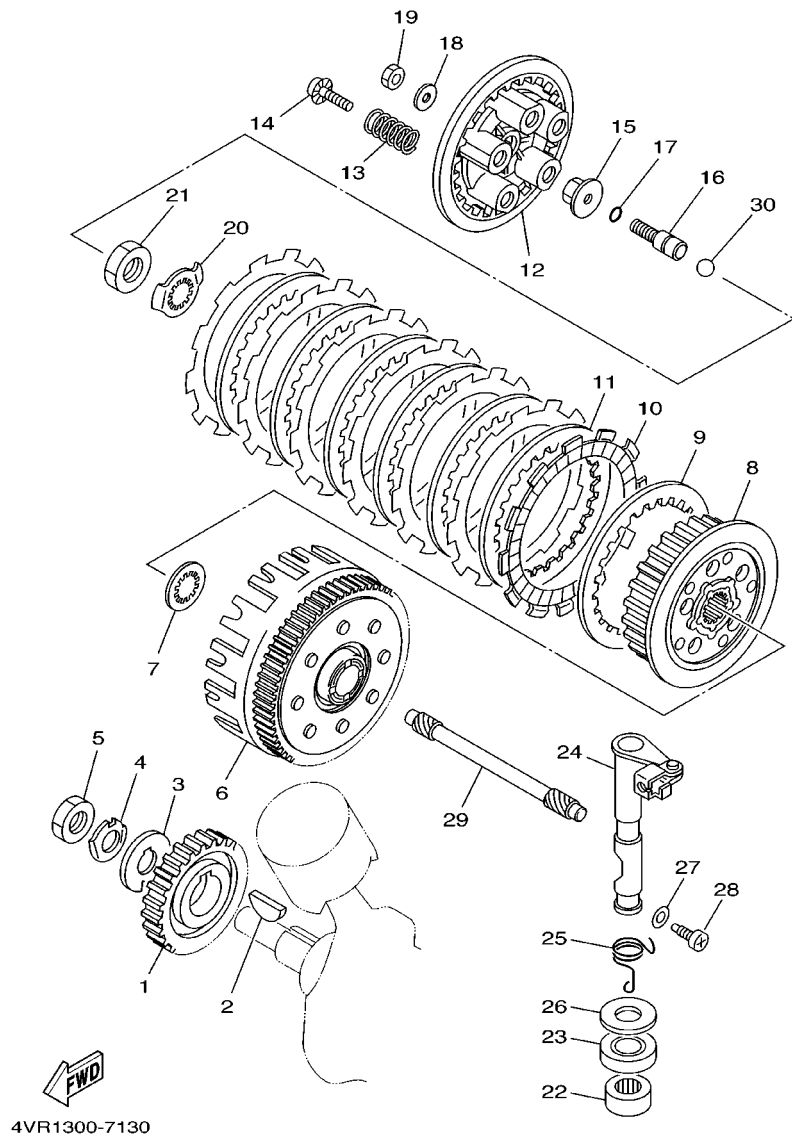
5EW1300-8120

FIG. 12 STARTER CLUTCH

REF. NO.	PART NO.	DESCRIPTION	5SC5	5SC6				REMARKS
1	22U-15512-00	GEAR, IDLER 1 (12T-50T)	1	1				
2	5H0-15521-00	SHAFT 1	1	1				
3	4TR-15590-00	STARTER ONE-WAY ASSY	1	1				
4	4VR-15517-01	GEAR, IDLER 2	1	1				
5	90201-25290	WASHER, PLATE	1	1				
6	90110-08212	BOLT, HEXAGON SOCKET HEAD	6	6				
7	4VR-81450-00	ROTOR ASSY	1	1				
8	90201-107E9	WASHER, PLATE	1	1				
9	90105-10152	BOLT, FLANGE	1	1				
10	3JB-81890-00	MOTOR ASSY	1	1				
11	1FK-81847-00	.O-RING	1	1				
12	3HE-81826-00	.BOLT	2	2				
13	3KS-81840-00	.BRUSH HOLDER ASSY	1	1				
14	4XV-8182A-00	.NUT	1	1				
15	11H-81844-00	.GASKET	2	2				
16	4VR-81815-00	CORD, STARTER MOTOR	1	1				
17	4XV-8182A-00	NUT	1	1				
18	97070-06025	BOLT	2	2				
19	92990-06600	WASHER, PLATE	2	2				



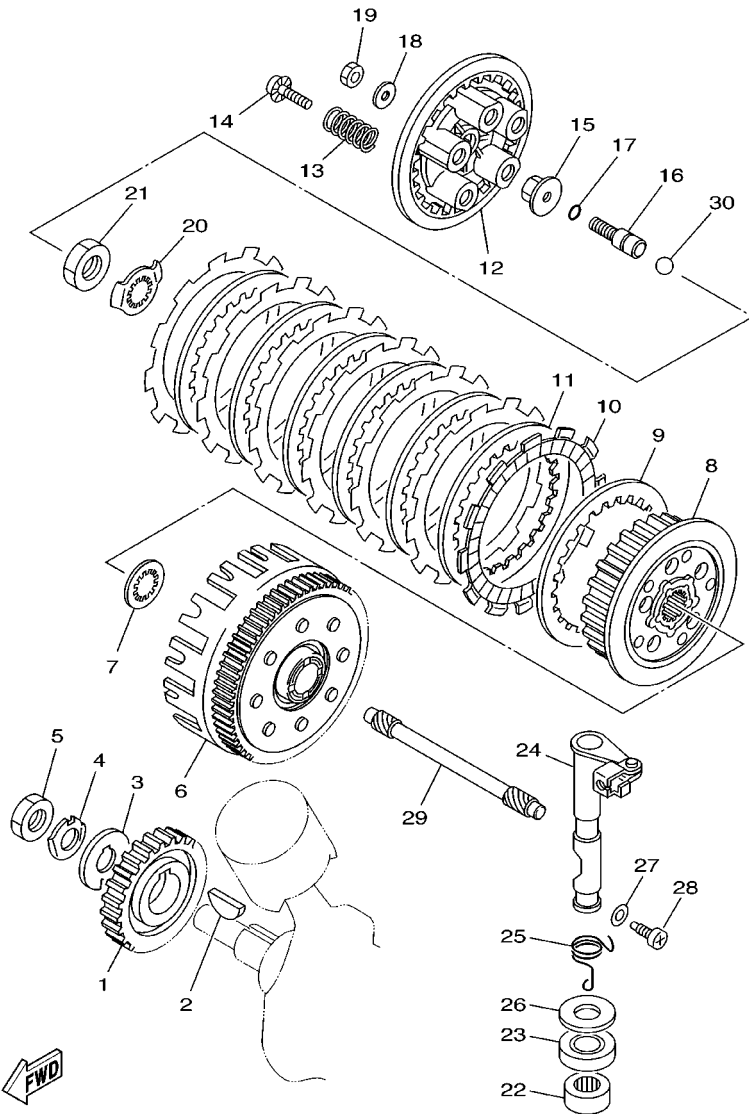
FIG. 13 CLUTCH



4VR1300-7130

REF. NO.	PART NO.	DESCRIPTION	5SC5	5SC6				REMARKS
1	4VR-16111-00	GEAR, PRIMARY DRIVE	1	1				
2	90280-07036	KEY, WOODRUFF	1	1				
3	90214-16026	WASHER, CLAW	1	1				
4	90215-16157	WASHER, LOCK	1	1				
5	90170-16256	NUT	1	1				
6	5BN-16150-00	PRIMARY DRIVEN GEAR COMP.	1	1				
7	22U-16154-00	PLATE, THRUST 1	1	1				
8	4VR-16371-00	BOSS, CLUTCH	1	1				
9	4X7-16324-00	PLATE, CLUTCH 1	1	1				
10	22U-16321-00	PLATE, FRICTION	7	7				
11	4X7-16325-00	PLATE, CLUTCH 2	6	6				
12	22U-16351-00	PLATE, PRESSURE 1	1	1				
13	90501-23738	SPRING, COMPRESSION	5	5				
14	90159-06016	SCREW, WITH WASHER	5	5				
15	1W1-16358-01	PLATE, PUSH	1	1				
16	4VR-16356-00	ROD, PUSH 1	1	1				
17	93210-09525	O-RING	1	1				
18	92907-06200	WASHER	1	1				
19	95307-06600	NUT	1	1				
20	90215-22210	WASHER, LOCK	1	1				
21	90170-20310	NUT	1	1				
22	93315-21813	BEARING	1	1				
23	93102-18278	OIL SEAL	1	1				
24	22U-16380-00	PUSH LEVER ASSY	1	1				
25	90508-16577	SPRING, TORSION	1	1				
26	90201-18262	WASHER, PLATE	1	1				
27	90430-08119	GASKET	1	1				

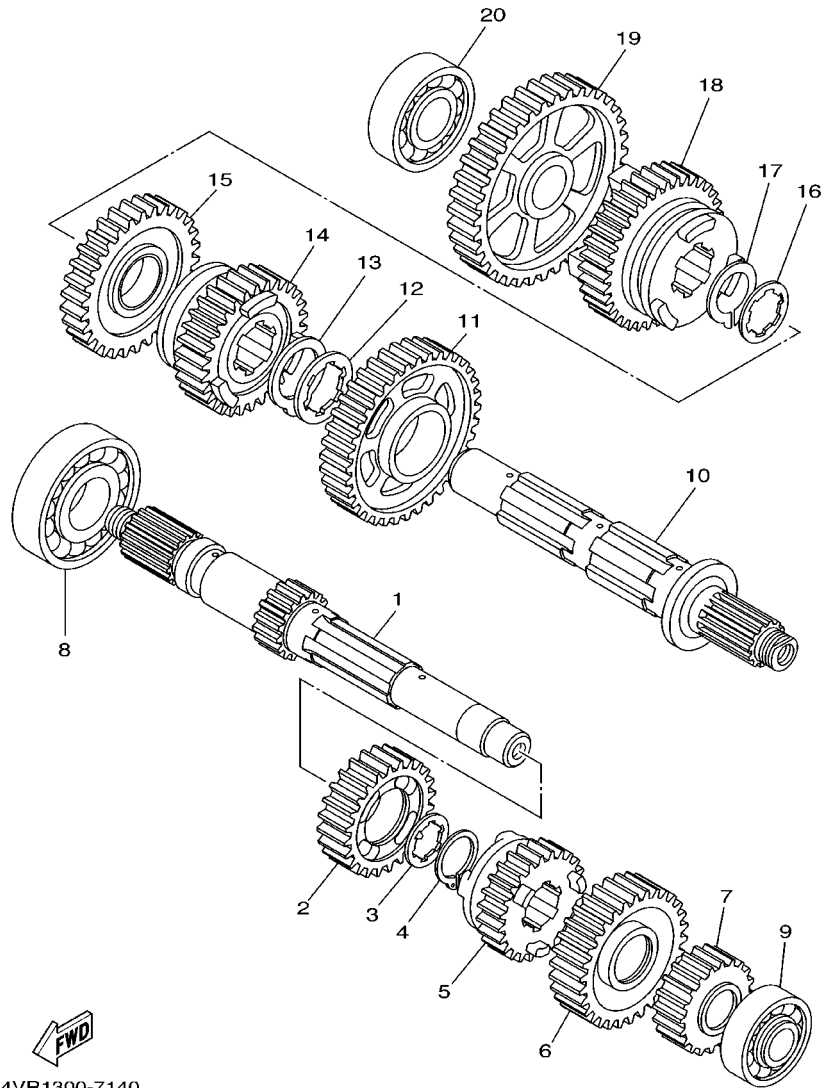
**FIG. 13 CLUTCH**



4VR1300-7130

REF. NO.	PART NO.	DESCRIPTION	5SC5	5SC6				REMARKS
28	90149-08067	SCREW	1	1				
29	22U-16357-00	ROD, PUSH 2	1	1				
30	93515-32029	BALL	1	1				

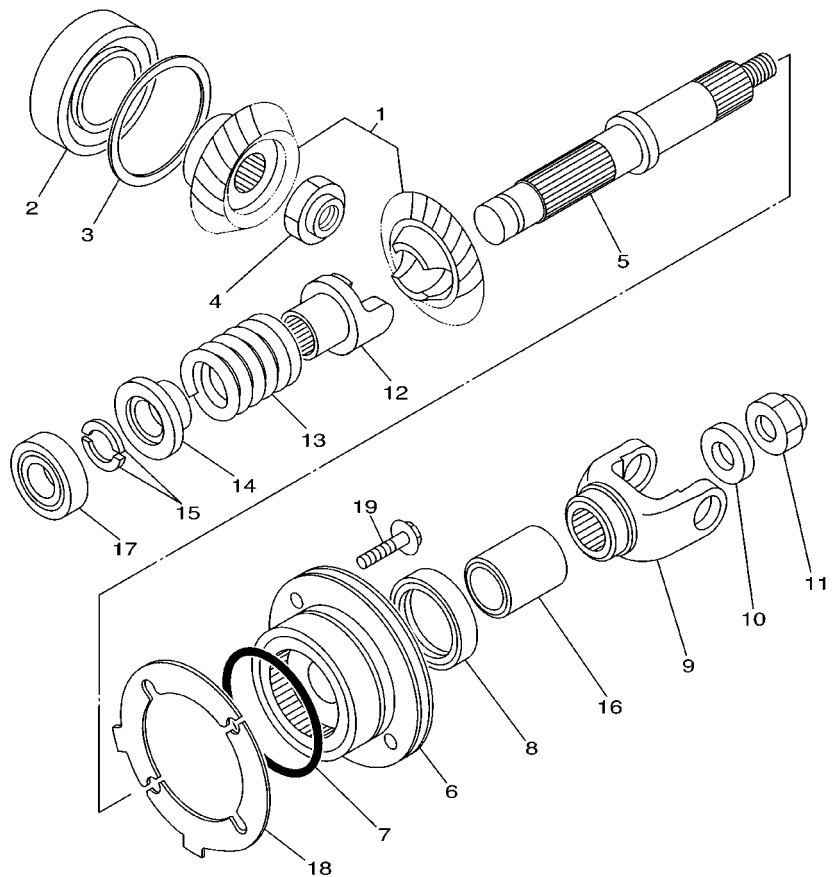
**FIG. 14 TRANSMISSION**



**FWD**  
4VR1300-7140

REF. NO.	PART NO.	DESCRIPTION	5SC5	5SC6	REMARKS
1	4VR-17411-00	AXLE, MAIN	1	1	
2	3JB-17141-00	GEAR, 4TH PINION (24T)	1	1	
3	90209-22191	WASHER	1	1	
4	93440-25084	CIRCLIP	1	1	
5	4VR-17131-00	GEAR, 3RD PINION (24T)	1	1	
6	4VR-17151-00	GEAR, 5TH PINION (30T)	1	1	
7	4KU-17121-00	GEAR, 2ND PINION (20T)	1	1	
8	93306-30525	BEARING (B6305)	1	1	
9	93306-00401	BEARING (B6004)	1	1	
10	22U-17402-00	DRIVE AXLE ASSY	1	1	
11	4KU-17221-00	GEAR, 2ND WHEEL (38T)	1	1	
12	90209-27192	WASHER	1	1	
13	93440-30077	CIRCLIP	1	1	
14	4VR-17251-00	GEAR, 5TH WHEEL (29T)	1	1	
15	4VR-17231-00	GEAR, 3RD WHEEL (35T)	1	1	
16	90209-22191	WASHER	1	1	
17	93440-25084	CIRCLIP	1	1	
18	4TR-17241-00	GEAR, 4TH WHEEL (28T)	1	1	
19	22U-17211-00	GEAR, 1ST WHEEL (38T)	1	1	
20	93306-00428	BEARING	1	1	

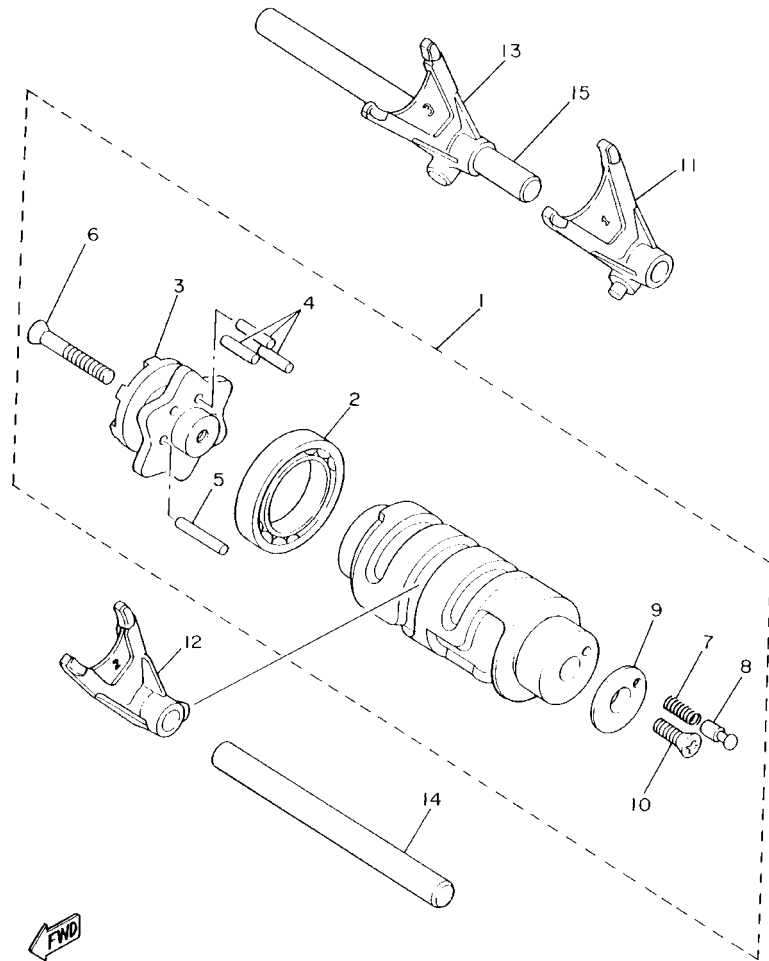
**FIG. 15 MIDDLE DRIVE GEAR**



**FWD**  
4TR1010-6150

REF. NO.	PART NO.	DESCRIPTION	5SC5	5SC6		REMARKS
1	4VR-Y1754-00	MIDDLE GEAR COMP.	1	1		
2	93306-20711	BEARING	1	1		
3	4H7-17537-00-20	SHIM, THRUST (0.20T)	1	1		UR
	4H7-17537-00-30	SHIM, THRUST (0.30T)	1	1		UR
	4H7-17537-00-40	SHIM, THRUST (0.40T)	1	1		UR
4	90179-18396	NUT	1	1		
5	4VR-17553-00	SHAFT, MIDDLE DRIVEN	1	1		
6	4VR-W1752-00	HOUSHING COMP.	1	1		
7	93210-71360	O-RING	1	1		
8	93101-35097	OIL SEAL	1	1		
9	22U-17556-00	YOKE, JOINT	1	1		
10	90201-14633	WASHER, PLATE	1	1		
11	90185-14070	NUT, SELF-LOCKING	1	1		
12	4VR-17527-00	CAM, DRIVEN	1	1		
13	90501-60716	SPRING, COMPRESSION	1	1		
14	22U-17524-00	HOLDER	1	1		
15	3H5-17529-00	WASHER, THRUST	2	2		
16	90387-2511R	COLLAR	1	1		
17	93306-00401	BEARING (B6004)	1	1		
18	3JB-17531-00	SHIM, PINION (0.10T)	2	2		UR
	3JB-17531-10	SHIM, PINION (0.15T)	2	2		UR
	3JB-17531-20	SHIM, PINION (0.20T)	2	2		UR
	3JB-17531-30	SHIM, PINION (0.30T)	2	2		UR
	3JB-17531-40	SHIM, PINION (0.40T)	2	2		UR
	3JB-17531-50	SHIM, PINION (0.50T)	2	2		UR
19	95827-08035	BOLT, FLANGE	4	4		

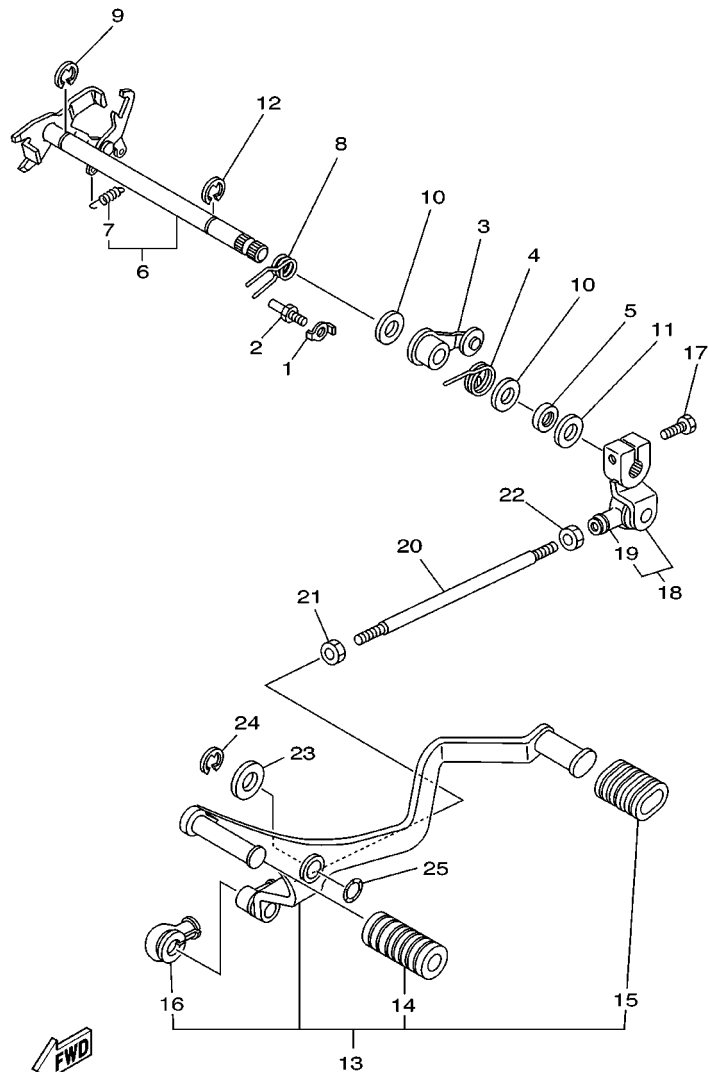
**FIG. 16 SHIFT CAM. FORK**



22U110-3190

REF. NO.	PART NO.	DESCRIPTION	5SC5	5SC6				REMARKS
1	4TR-18540-02	SHIFT CAM ASSY	1	1				
2	93306-90602	.BEARING	1	1				
3	4H7-18185-00	.SEGMENT	1	1				
4	93604-16092	.PIN, DOWEL	3	3				
5	93604-20156	.PIN, DOWEL	1	1				
6	98707-05035	.SCREW, FLAT HEAD	1	1				
7	90501-06022	.SPRING, COMPRESSION	1	1				
8	4UN-18542-00	.POINT, NEUTRAL	1	1				
9	4UN-18566-00	.PLATE, SIDE 2	1	1				
10	90149-05321	.SCREW	1	1				
11	4TR-18511-00	FORK, SHIFT 1	1	1				
12	4TR-18512-00	FORK, SHIFT 2	1	1				
13	4TR-18513-00	FORK, SHIFT 3	1	1				
14	3YF-18531-00	BAR, SHIFT FORK GUIDE 1	1	1				
15	4TR-18535-00	BAR, SHIFT FORK GUIDE 2	1	1				

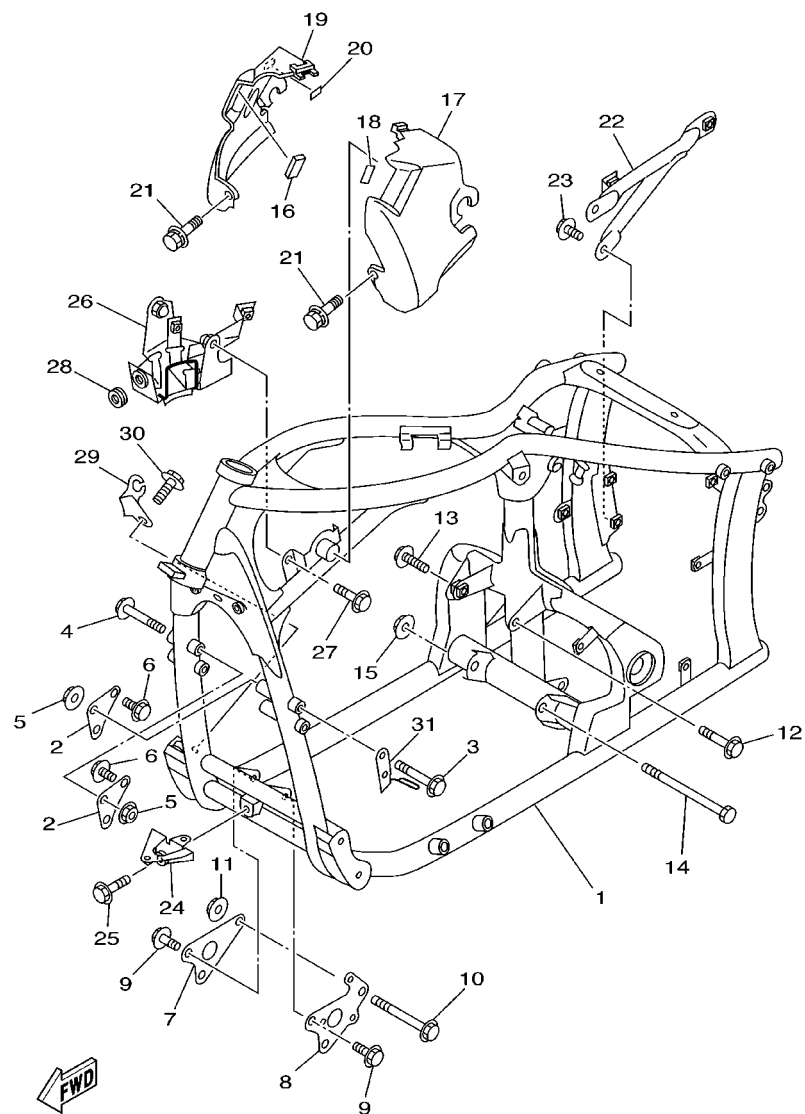
FIG. 17 SHIFT SHAFT



5SC5300-A170

REF. NO.	PART NO.	DESCRIPTION	5SC5	5SC6				REMARKS
1	90215-18178	WASHER, LOCK	1	1				
2	4G0-18127-00	STOPPER, SCREW	1	1				
3	4TR-18140-00	STOPPER LEVER ASSY	1	1				
4	90508-290B5	SPRING, TORSION	1	1				
5	93102-12106	OIL SEAL (SD 12-22-5 HS)	1	1				
6	4TR-18120-00	SHIFT LEVER ASSY	1	1				
7	90506-08227	.SPRING, TENSION	1	1				
8	90508-32536	SPRING, TORSION	1	1				
9	99001-10600	CIRCLIP	1	1				
10	90201-12588	WASHER, PLATE	2	2				
11	90201-12575	WASHER, PLATE	1	1				
12	99001-10600	CIRCLIP	1	1				
13	5BN-18110-00	SHIFT PEDAL ASSY	1	1				
14	4NK-18113-00	.COVER, SHIFT PEDAL	1	1				
15	22N-18113-00	.COVER, SHIFT PEDAL	1	1				
16	2H9-18154-00	.COVER, DUST	1	1				
17	97024-06020	BOLT	1	1				
18	4TR-18112-00	ARM, SHIFT	1	1				
19	2H9-18154-00	.COVER, DUST	1	1				
20	5A8-18115-00	ROD, SHIFT	1	1				
21	90170-06228	NUT (COUNTER CLOCKWISE)	1	1				
22	95304-06700	NUT	1	1				
23	90201-12688	WASHER, PLATE	1	1				
24	99009-12400	CIRCLIP	1	1				
25	90206-12074	WASHER, WAVE	1	1				

FIG. 18 FRAME

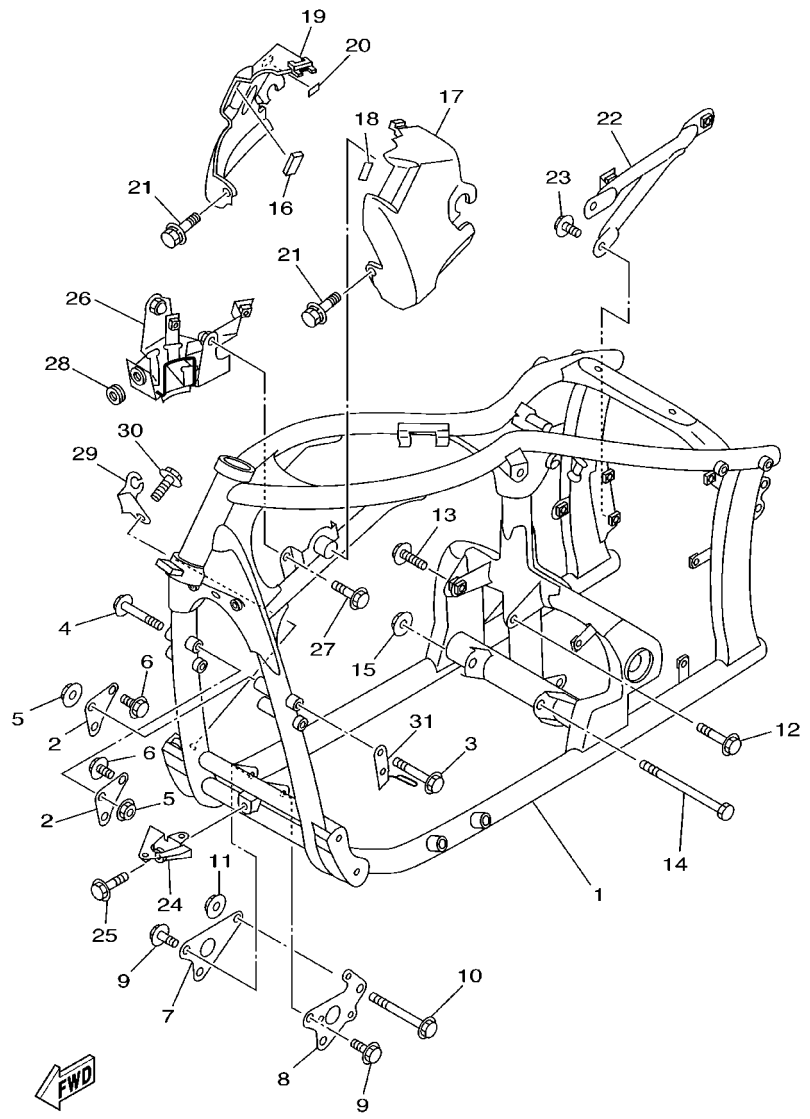


5BNV300-1180

REF. NO.	PART NO.	DESCRIPTION	5SC5	5SC6	REMARKS
1	4VR-21110-20	FRAME COMP.	1	1	
2	4VR-21315-00	STAY, ENGINE 2	2	2	
3	90105-082A4	BOLT, FLANGE	2	2	
4	90105-084A1	BOLT, FLANGE	2	2	
5	90179-08684	NUT	4	4	
6	95817-10025	BOLT, FLANGE	2	2	
7	4VR-21317-00	STAY, ENGINE 3	1	1	
8	5BN-21317-00	STAY, ENGINE 3	1	1	
9	90105-08307	BOLT, FLANGE	4	4	
10	95814-10100	BOLT, FLANGE	1	1	
11	90179-10658	NUT	1	1	
12	90105-10253	BOLT, FLANGE	1	1	
13	90105-10232	BOLT, FLANGE	1	1	
14	90101-12694	BOLT	1	1	
15	90179-12248	NUT	1	1	
16	4SV-28372-00	DAMPER	1	1	
17	4TR-2171E-00	COVER, SIDE 5	1	1	
18	3BN-21747-00	DAMPER	2	2	
19	4TR-2171X-00	COVER, SIDE 6	1	1	
20	3BN-21747-00	DAMPER	1	1	
21	90119-06236	BOLT, WITH WASHER	2	2	
22	4TR-21460-01	STAY, MUFFLER	1	1	
23	95817-08014	BOLT, FLANGE	2	2	
24	4VR-28356-01	STAY 1	1	1	
25	90105-062A2	BOLT, FLANGE	1	1	
26	4TR-24491-02	BRACKET, FUEL PUMP	1	1	
27	95807-06014	BOLT, FLANGE	2	2	

**FIG. 18 FRAME**

REF. NO.	PART NO.	DESCRIPTION	5SC5	5SC6				REMARKS
28	90480-12320	GROMMET	1	1				
29	4TR-2144G-01	STAY, STOP SWITCH	1	1				
30	95807-06012	BOLT, FLANGE	1	1				
31	4VR-21161-00	HOLDER, CABLE	1	1				
-----								
-----								
-----								
-----								
-----								
-----								
-----								
-----								
-----								
-----								



5BNV300-1180



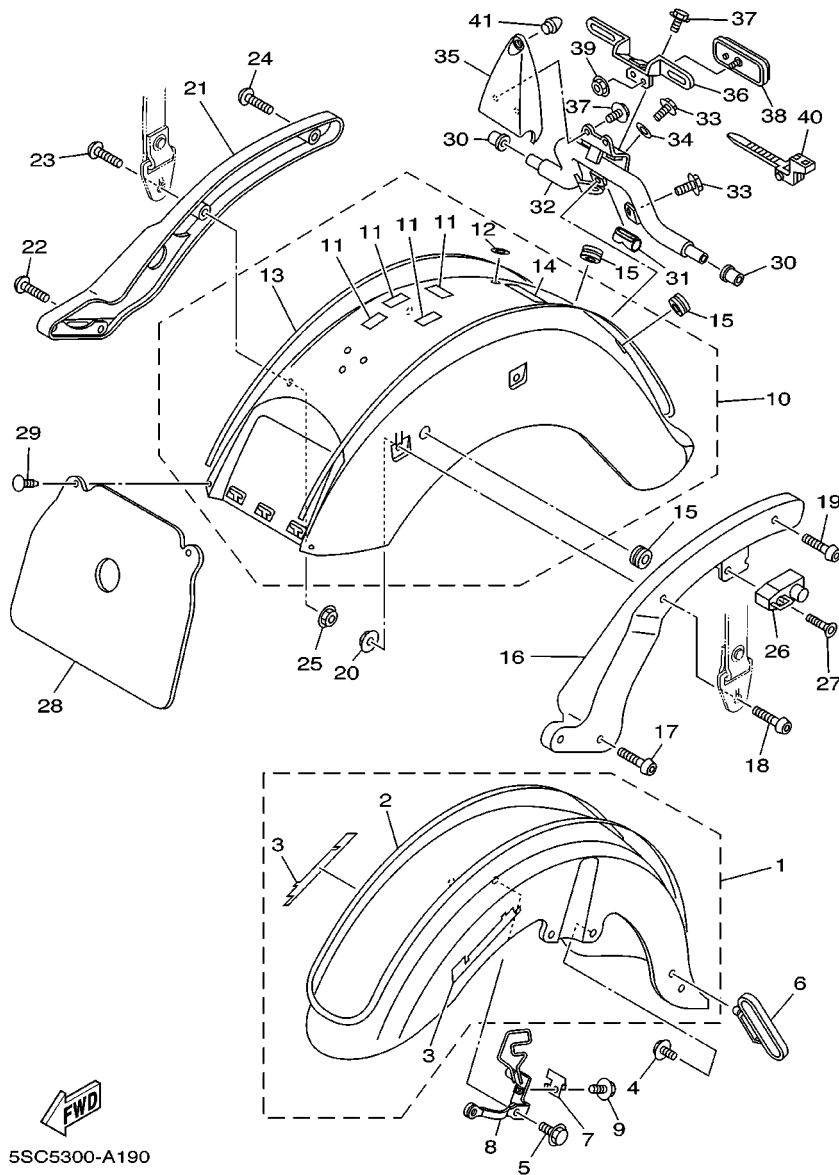
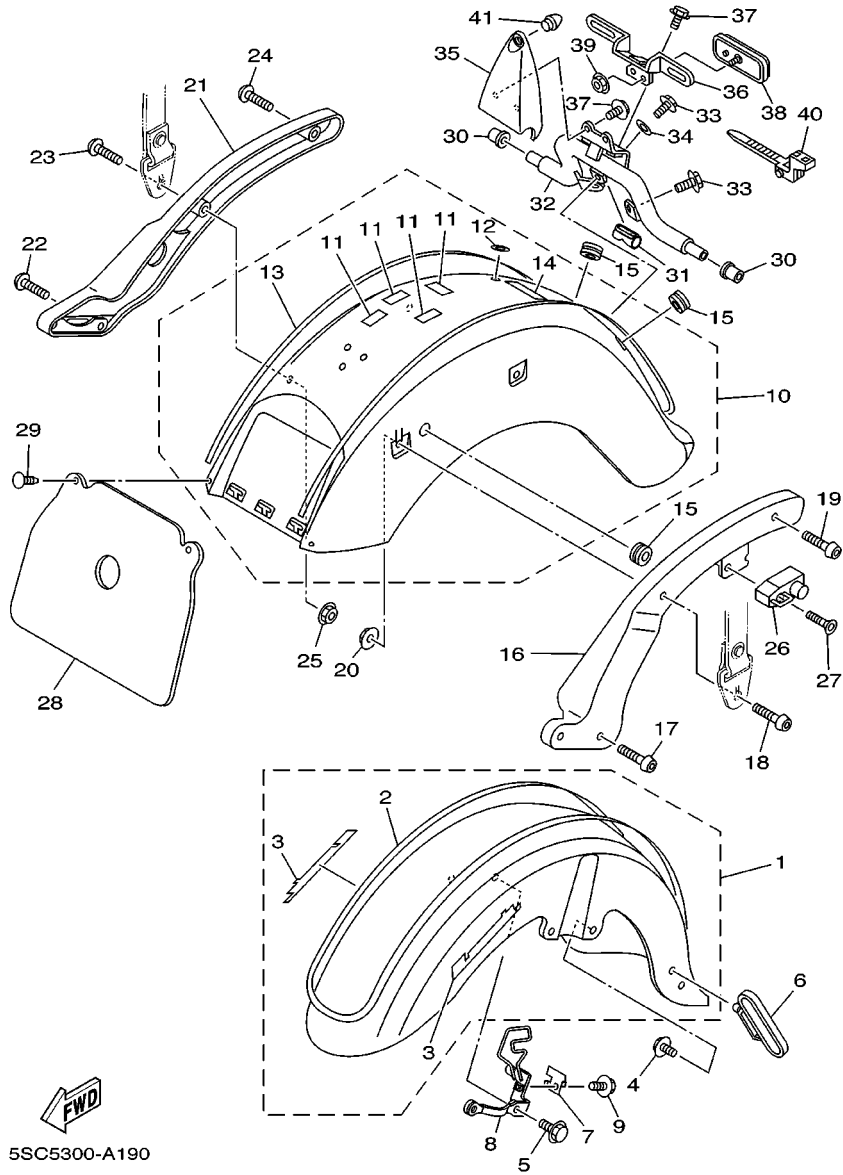


FIG. 19 FENDER

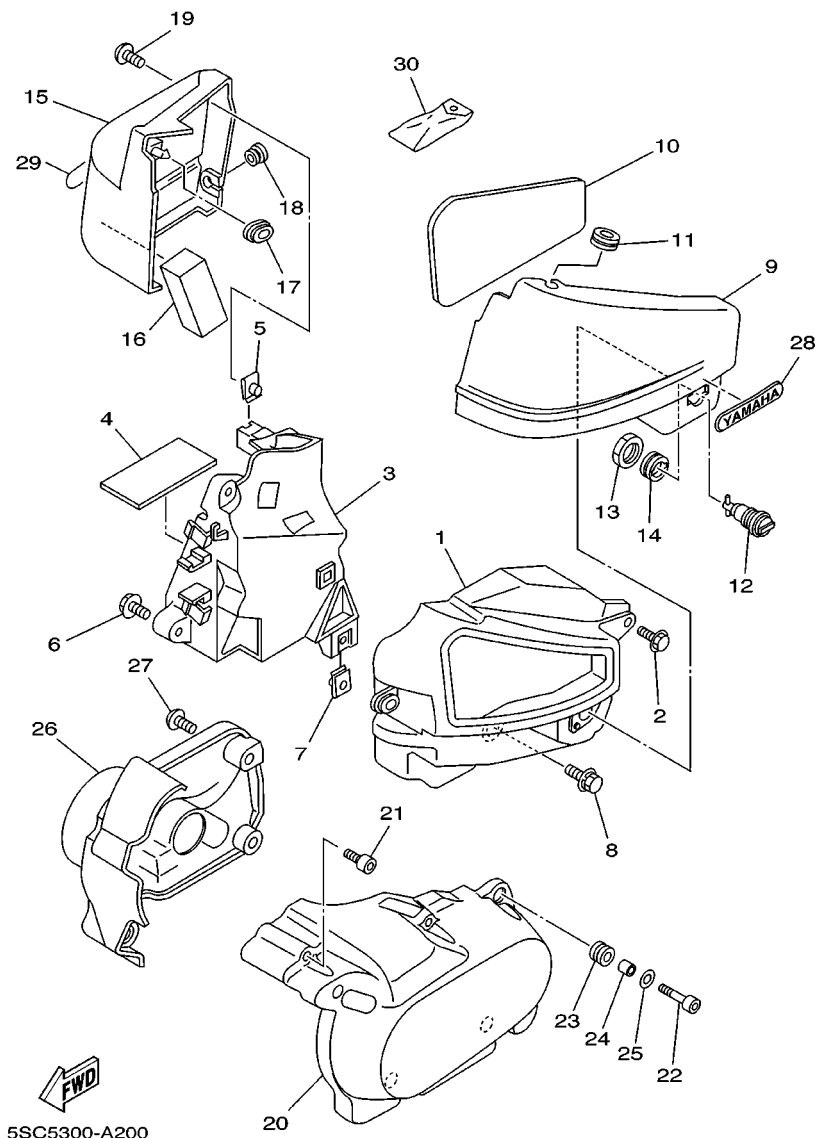
REF. NO.	PART NO.	DESCRIPTION	5SC5	5SC6	REMARKS
1	5BN-Y2151-21-33	FRONT FENDER COMP.	1	1	UR YB
	5BN-Y2151-41-P1	FRONT FENDER COMP.	1	1	UR LYNM9
2	5BN-2157A-00	.GRAPHIC SET, FRONT FENDER	1	1	UR FOR YB
	5BN-2157A-50	.GRAPHIC SET, FRONT FENDER	1	1	UR FOR LYNM9
3	5BN-21565-00	.EMBLEM, 2	2	2	
4	95817-08016	BOLT, FLANGE	2	2	
5	95814-08020	BOLT, FLANGE	2	2	
6	5BN-21518-01	HOLDER, CABLE	1	1	
7	5BN-21598-00	HOLDER, WIRE 2	1	1	
8	5BN-21587-01	STAY 1	1	1	
9	95807-06010	BOLT, FLANGE	1	1	
10	5BN-Y2161-12-33	REAR FENDER COMP.	1	1	UR YB
	5BN-Y2161-22-P1	REAR FENDER COMP.	1	1	UR LYNM9
11	3SP-21732-00	.SEAL 1	4	4	
12	4NK-21735-00	.SEAL 2	1	1	
13	5BN-2165B-01	.GRAPHIC SET,REAR FENDER	1	1	UR FOR YB
	5BN-2165B-50	.GRAPHIC SET,REAR FENDER	1	1	UR FOR LYNM9
14	99247-00080	.EMBLEM, YAMAHA	1	1	
15	90480-15061	GROMMET	3	3	
16	5BN-21613-10	STAY, FENDER 1	1	1	
17	92014-10025	BOLT, BUTTON HEAD	2	2	
18	92014-08040	BOLT, BUTTON HEAD	1	1	
19	92014-08035	BOLT, BUTTON HEAD	1	1	
20	90179-08491	NUT	2	2	
21	5BN-21614-10	STAY, FENDER 2	1	1	
22	92014-10025	BOLT, BUTTON HEAD	2	2	
23	92014-08040	BOLT, BUTTON HEAD	1	1	

FIG. 19 FENDER



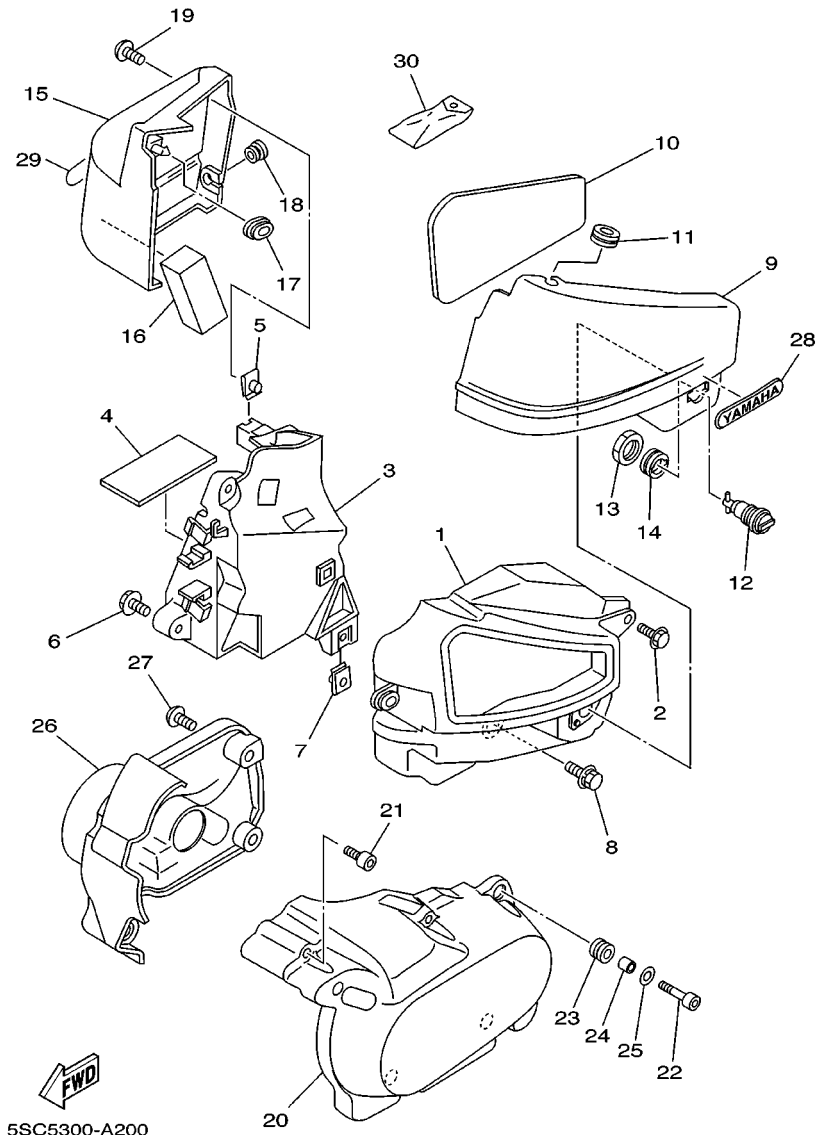
REF. NO.	PART NO.	DESCRIPTION	5SC5	5SC6	REMARKS
24	92014-08035	BOLT, BUTTON HEAD	1	1	
25	90179-08491	NUT	2	2	
26	4R8-21308-00	HELMET HANGER ASSY	1	1	
27	90149-06154	SCREW	1	1	
28	4TR-21629-00	GUARD, MUD	1	1	
29	90269-05039	RIVET	2	2	
30	4NK-83321-00	DAMPER, FLASHER 1	2	2	
31	4NK-83345-00	PLUG, BLIND	1	1	
32	5BN-2317W-30	STAY, 9	1	1	
33	95024-06012	BOLT, FLANGE	3	3	
34	90201-06043	WASHER, PLATE	1	1	
35	5BN-84703-10	BRACKET	1	1	
36	5BN-84751-10	BRACKET, LICENSE	1	1	
37	95027-06010	BOLT, FLANGE	4	4	
38	3Y6-85130-02	REAR REFLECTOR ASSY	1	1	
39	95707-05500	NUT, FLANGE	1	1	
40	90464-25002	CLAMP	1	1	
41	42U-21639-00	DAMPER 2	1	1	

FIG. 20 SIDE COVER



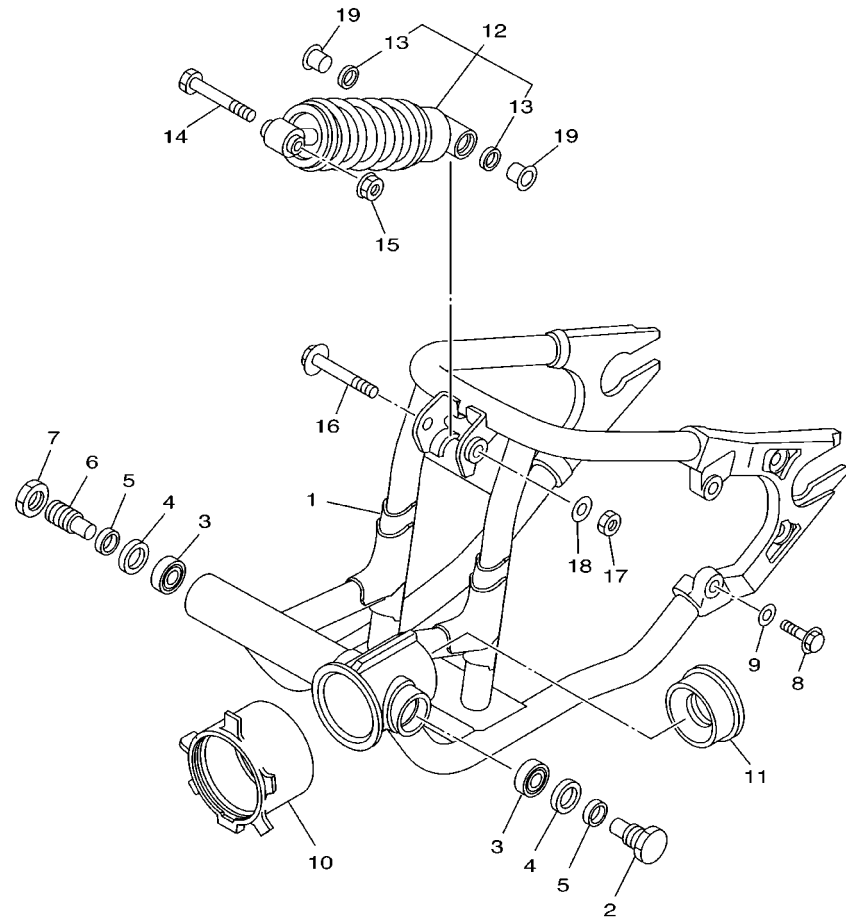
REF. NO.	PART NO.	DESCRIPTION	5SC5		5SC6		REMARKS
1	4TR-2160A-00	BOX COMP.	1	1			
2	90119-06118	BOLT, WITH WASHER	1	1			
3	4TR-2177G-02	BOX, BATTERY	1	1			
4	5Y1-82122-00	SEAT, BATTERY	1	1			
5	90183-06053	NUT, SPRING	1	1			
6	90119-06118	BOLT, WITH WASHER	3	3			
7	90183-06023	NUT, SPRING	1	1			
8	90119-06097	BOLT, WITH WASHER	1	1			
9	5BN-21711-00-33	COVER, SIDE 1	1	1			UR YB
	5BN-21711-00-PA	COVER, SIDE 1	1	1			UR LYNM9
10	4TR-21717-00	DAMPER	1	1			
11	90480-12320	GROMMET	1	1			
12	55K-21708-00	LOCK ASSY 2	1	1			
13	90170-22187	NUT	1	1			
14	90480-24186	GROMMET	1	1			
15	5BN-21721-00-33	COVER, SIDE 2	1	1			UR YB
	5BN-21721-00-PA	COVER, SIDE 2	1	1			UR LYNM9
16	84M-77555-00	PROTECTOR 5	1	1			
17	90480-01559	GROMMET	1	1			
18	90480-12320	GROMMET	1	1			
19	90149-06302	SCREW	1	1			
20	5BN-21731-00	COVER, SIDE 3	1	1			
21	90110-06254	BOLT, HEXAGON SOCKET HEAD	2	2			
22	91314-06020	BOLT	4	4			
23	90480-10289	GROMMET	4	4			
24	90387-0600V	COLLAR	4	4			
25	90201-06062	WASHER, PLATE	4	4			

FIG. 20 SIDE COVER



REF. NO.	PART NO.	DESCRIPTION	5SC5	5SC6				REMARKS
26	4VR-21741-00	COVER, SIDE 4	1	1				
27	90110-06200	BOLT, HEXAGON SOCKET HEAD	4	4				
28	3LS-21781-10	EMBLEM 1	1	1				
29	3LS-21781-10	EMBLEM 1	1	1				
30	4TR-28100-00	TOOL KIT	1	1				
<hr/>								
<hr/>								
<hr/>								
<hr/>								
<hr/>								
<hr/>								
<hr/>								

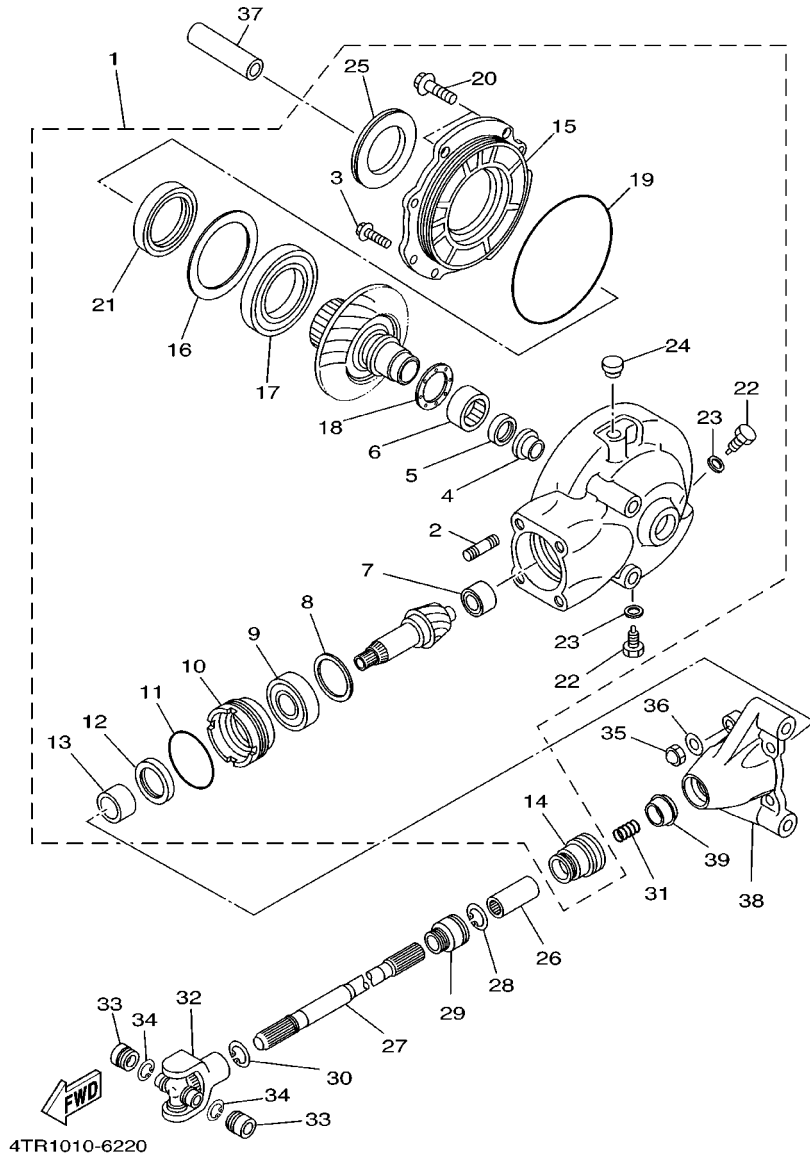
**FIG. 21 REAR ARM. SUSPENSION**



4VR1300-7210

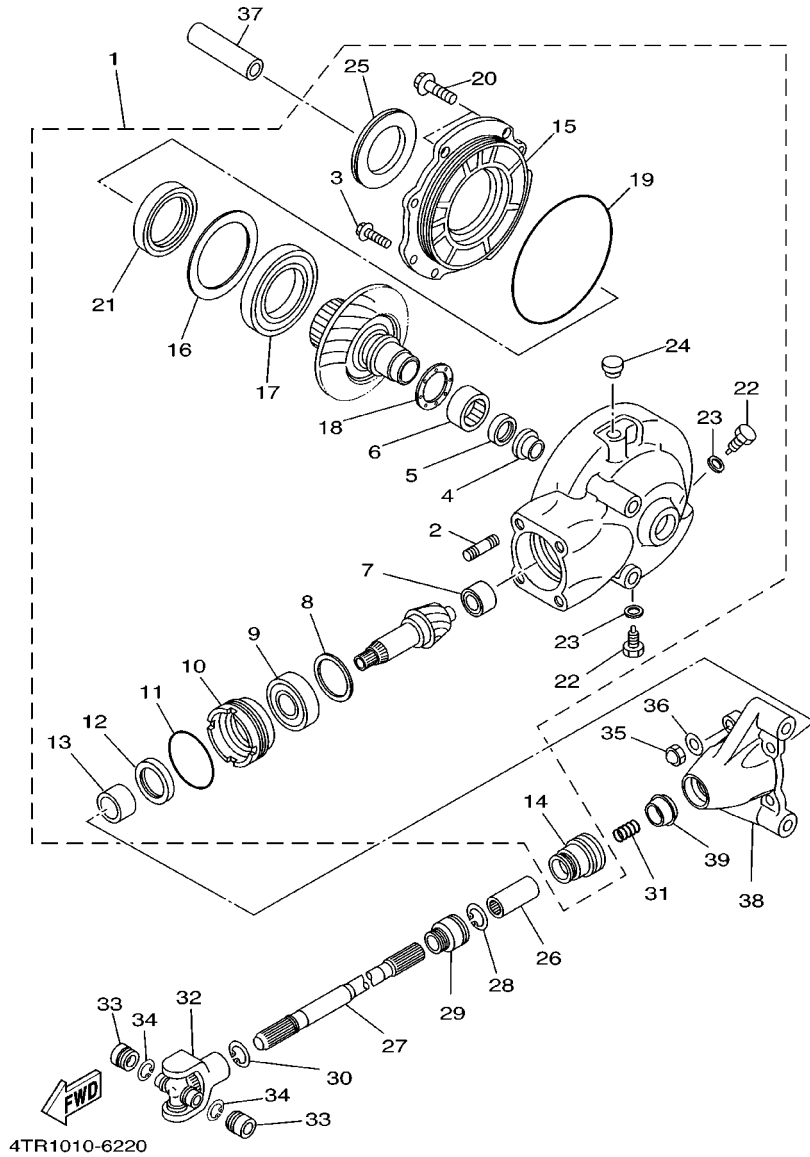
REF. NO.	PART NO.	DESCRIPTION	5SC5	5SC6				REMARKS
1	4VR-22110-01	REAR ARM COMP.	1	1				
2	4KM-22141-00	SHAFT, PIVOT	1	1				
3	93332-00010	BEARING	2	2				
4	93102-25017	OIL SEAL	2	2				
5	90387-17543	COLLAR	2	2				
6	1J7-22141-00	SHAFT, PIVOT	1	1				
7	1J7-22143-00	NUT	1	1				
8	90109-10006	BOLT	4	4				
9	90201-112U0	WASHER, PLATE	4	4				
10	4TR-22189-00	BOOT, RUBBER	1	1				
11	4VR-22184-00	BUSH	1	1				
12	5BN-22210-60	SHOCK ABSORBER ASSY, REAR	1	1				
13	93109-18020	OIL SEAL	2	2				
14	90109-125F1	BOLT	1	1				
15	95607-12200	NUT, SELF-LOCKING	1	1				
16	90109-125F1	BOLT	1	1				
17	95607-12100	NUT, U	1	1				
18	90201-120E6	WASHER, PLATE	1	1				
19	90387-123X6	COLLAR	2	2				

FIG. 22 DRIVE SHAFT



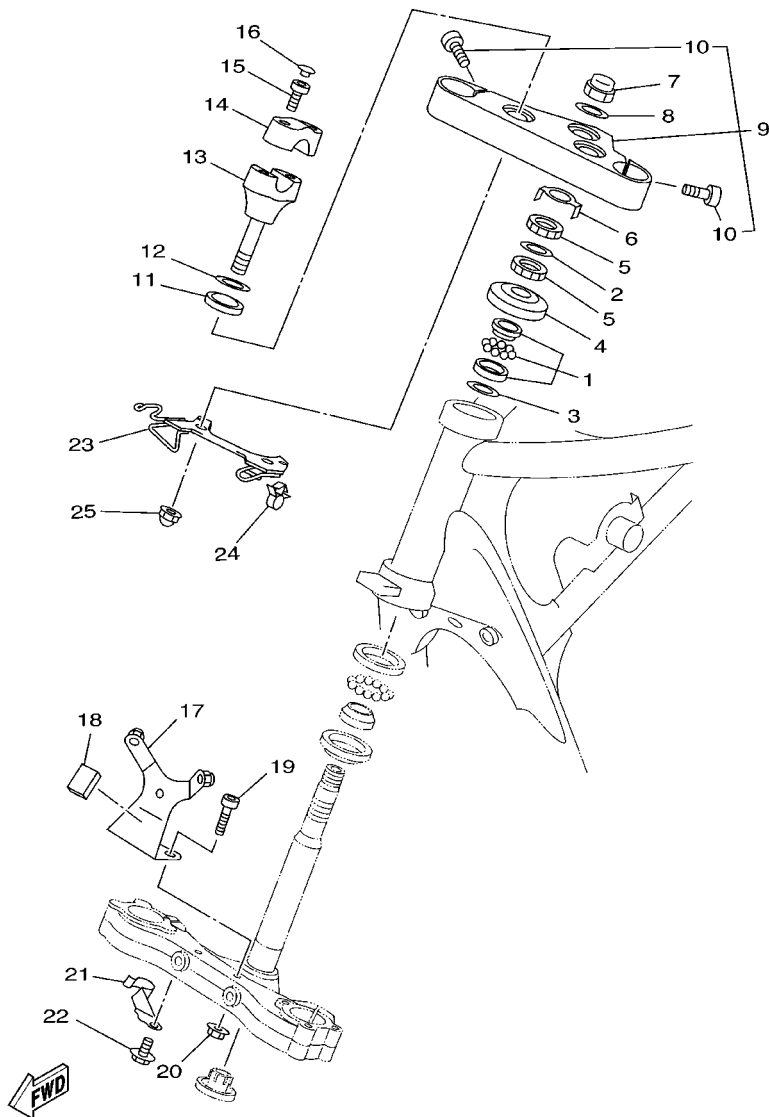
REF. NO.	PART NO.	DESCRIPTION	SSC5	SSC6	REMARKS
1	4TR-46101-00	REAR AXLE GEAR CASE ASSY	1	1	
2	90116-10593	.BOLT, STUD	4	4	
3	90119-08126	.BOLT, WITH WASHER	6	6	
4	22U-46153-00	.COLLAR, GUIDE	1	1	
5	93101-30084	.OIL SEAL	1	1	
6	93311-43729	.BEARING	1	1	
7	2H7-46102-00	.BEARING ASSY	1	1	
8	1J7-17537-Y0-30	.SHIM, THRUST (0.30T)	1	1	UR
	1J7-17537-Y0-40	.SHIM, THRUST (0.40T)	1	1	UR
	1J7-17537-Y0-50	.SHIM, THRUST (0.50T)	1	1	UR
9	93306-30539	.BEARING	1	1	
10	4H7-46125-00	.RETAINER, BEARING	1	1	
11	93210-60426	.O-RING	1	1	
12	93101-38098	.OIL SEAL	1	1	
13	90387-256G9	.COLLAR	1	1	
14	22U-46136-00	.SEAL 1	1	1	
15	22U-46152-00	.HOUSING, BEARING	1	1	
16	22U-46117-00-25	.SHIM, RING GEAR (0.25T)	1	1	UR
	22U-46117-00-30	.SHIM, RING GEAR (0.30T)	1	1	UR
	22U-46117-00-40	.SHIM, RING GEAR (0.40T)	1	1	UR
17	93316-01301	.BEARING	1	1	
18	22U-46118-00-12	.SHIM, THRUST (1.2T)	1	1	UR
	22U-46118-00-14	.SHIM, THRUST (1.4T)	1	1	UR
	22U-46118-00-16	.SHIM, THRUST (1.6T)	1	1	UR
	22U-46118-00-18	.SHIM, THRUST (1.8T)	1	1	UR
	22U-46118-00-20	.SHIM, THRUST (2.0T)	1	1	UR
19	93211-39569	.O-RING	1	1	

**FIG. 22 DRIVE SHAFT**



REF. NO.	PART NO.	DESCRIPTION	5SC5	5SC6				REMARKS
20	90105-10285	.BOLT, FLANGE	2	2				
21	93102-65277	.OIL SEAL	1	1				
22	90340-14132	.PLUG, STRAIGHT SCREW	2	2				
23	214-11198-01	.GASKET	2	2				
24	56W-17590-00	.BREATHER COMP.	1	1				
25	1J7-25319-02	.SEAL, HUB DUST	1	1				
26	22U-46123-00	COUPLING, GEAR	1	1				
27	5BN-46171-00	SHAFT DRIVE ASSY	1	1				
28	99009-18400	CIRCLIP	1	1				
29	22U-46137-00	SEAL 2	1	1				
30	93410-22039	CIRCLIP	1	1				
31	90501-15722	SPRING, COMPRESSION	1	1				
32	4X7-46180-00	CROSS JOINT COMP.	1	1				
33	93311-21044	BEARING	2	2				
34	93440-20088	CIRCLIP	2	2				
35	90176-10075	NUT, CROWN	4	4				
36	92990-10600	WASHER, PLATE	4	4				
37	90387-1510D	COLLAR	1	1				
38	4TR-46154-00	COVER, HOUSING	1	1				
39	4TR-46297-00	COVER, DUST	1	1				

FIG. 23 STEERING

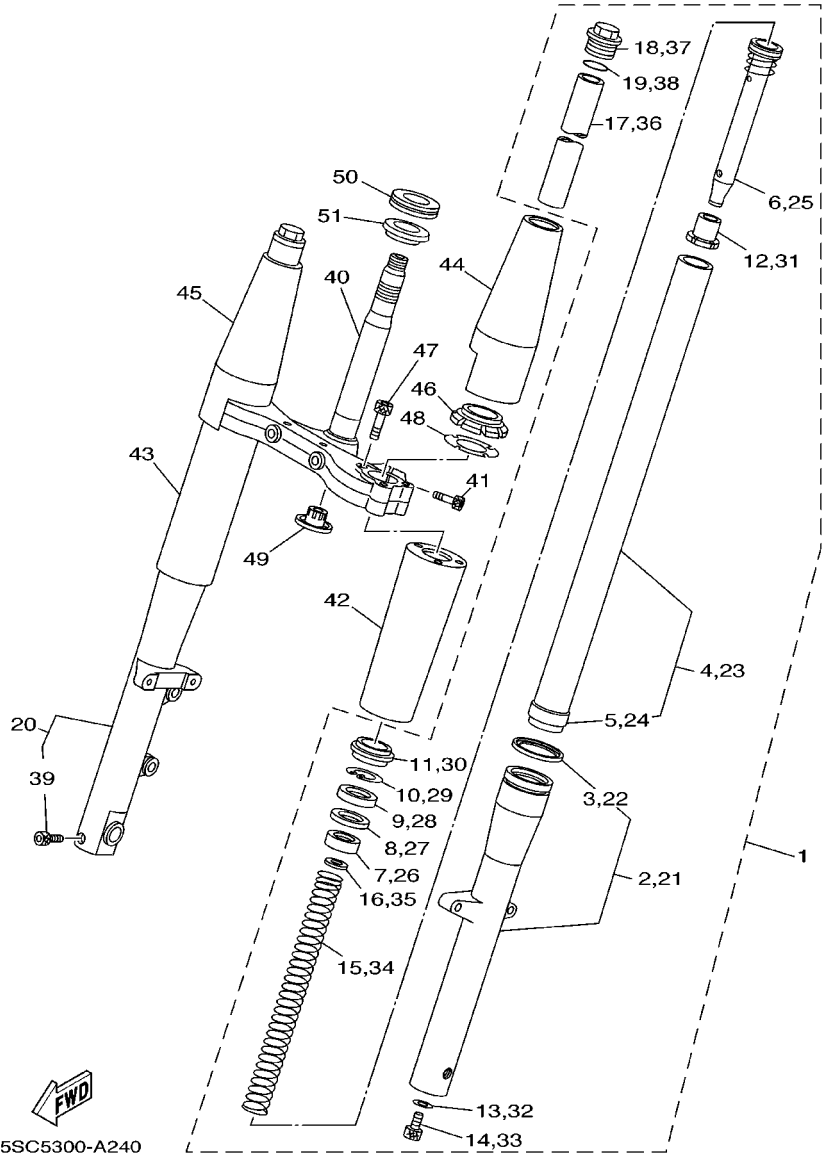


5BN1100-8230

REF. NO.	PART NO.	DESCRIPTION	SSC5	SSC6				REMARKS
1	93399-99931	BEARING	1	1				
2	90202-26142	WASHER, PLATE	1	1				
3	90202-24190	WASHER, PLATE	1	1				
4	1W1-23416-00	COVER, BALL RACE 2	1	1				
5	90179-25033	NUT	2	2				
6	26H-23418-01	WASHER, SPECIAL	1	1				
7	90176-22081	NUT, CROWN	1	1				
8	90201-220T0	WASHER, PLATE	1	1				
9	4VR-Y2343-50	CROWN, HANDLE	1	1				
10	91314-08030	.BOLT	2	2				
11	3DM-23445-00	DAMPER	2	2				
12	90201-14220	WASHER, PLATE	2	2				
13	4VR-23442-00	HOLDER, HANDLE LOWER	2	2				
14	4VR-23441-00	HOLDER, HANDLE UPPER	2	2				
15	91314-08025	BOLT	4	4				
16	90338-08163	PLUG	4	4				
17	5BN-23174-00	STAY, HEADLIGHT	1	1				
18	5BN-2317J-00	DAMPER 1	1	1				
19	92014-08040	BOLT, BUTTON HEAD	2	2				
20	95707-08500	NUT, FLANGE	2	2				
21	5BN-25886-00	HOLDER, BRAKE HOSE	1	1				
22	95027-06010	BOLT, FLANGE	1	1				
23	5BN-23389-00	GUIDE, CABLE	1	1				
24	90464-18246	CLAMP	2	2				
25	90176-12052	NUT, CROWN	2	2				

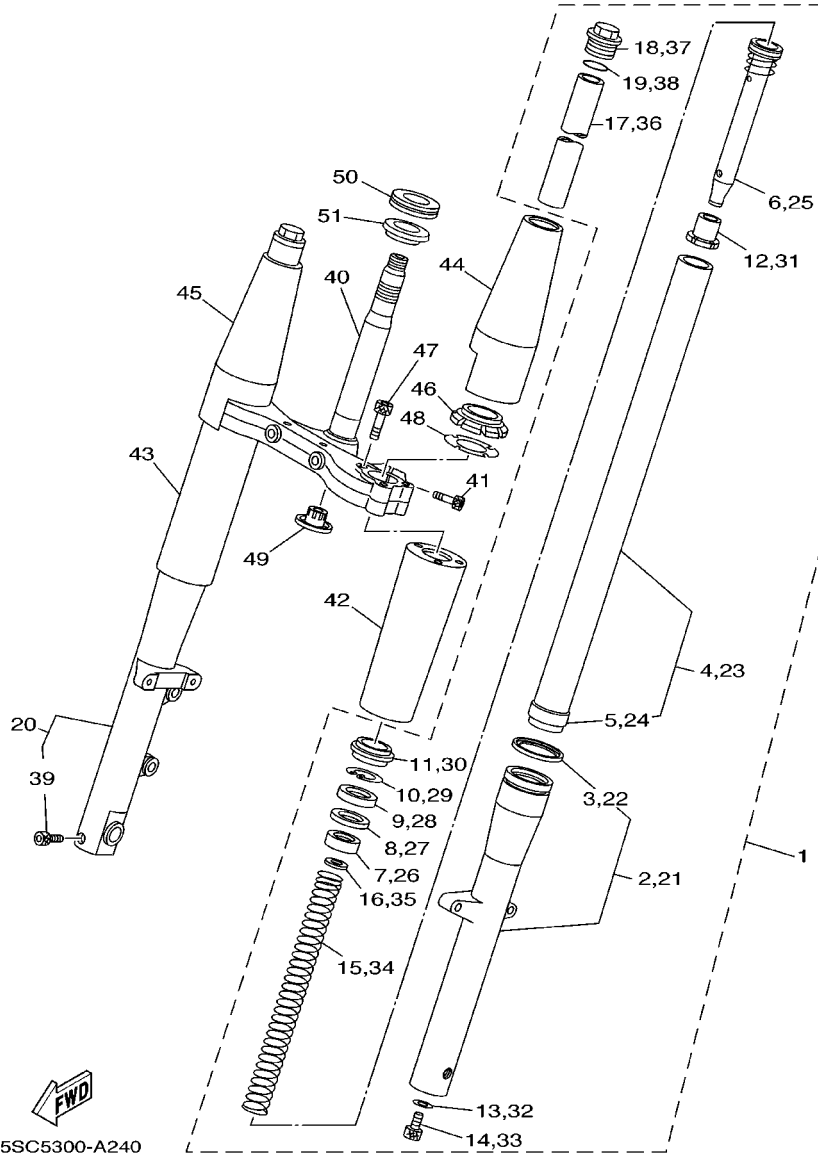


FIG. 24 FRONT FORK



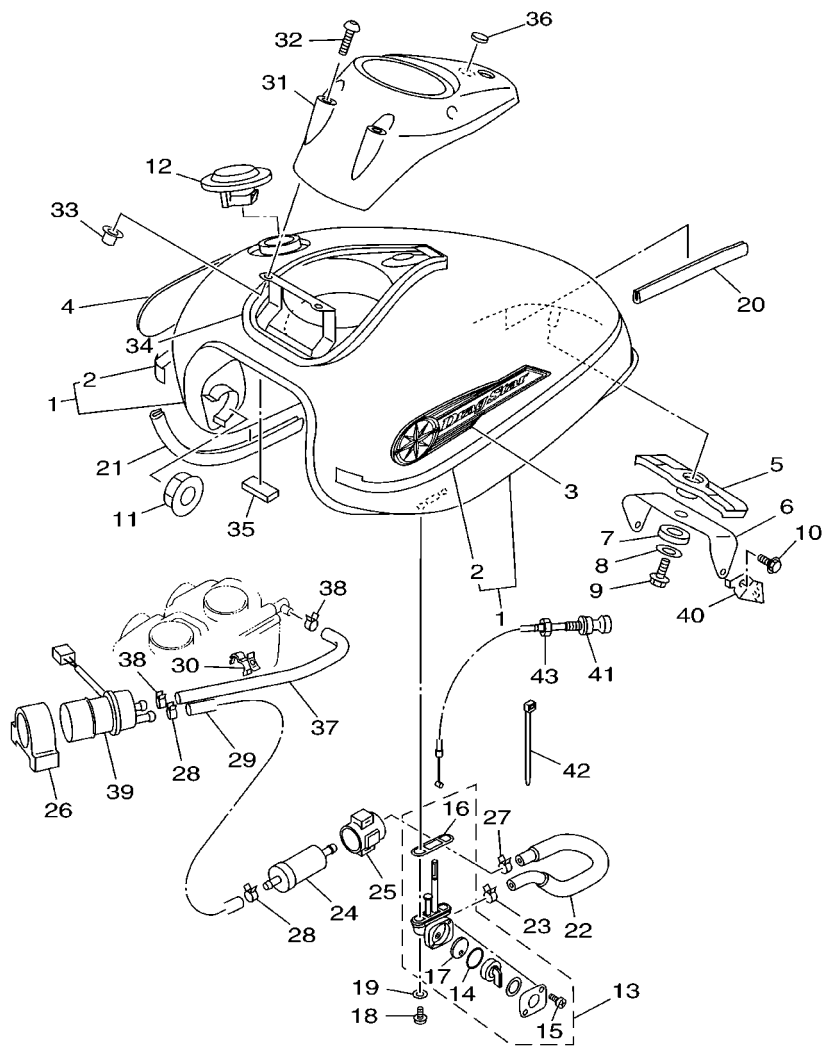
REF. NO.	PART NO.	DESCRIPTION	5SC5	5SC6			REMARKS
1	5BN-23102-10	FRONT FORK ASSY (L.H)	1	1			
2	5BN-23126-10	.TUBE, OUTER (LEFT)	1	1			
3	5BN-23193-00	..GUIDE, BOOT	1	1			
4	5BN-23110-00	.INNER TUBE COMP.1	1	1			
5	5BN-23171-00	..PISTON, FRONT FORK	1	1			
6	5BN-23170-00	.CYLINDER COMP., FRONT FORK	1	1			
7	4FM-23125-40	.METAL, SLIDE 1	1	1			
8	36Y-23146-10	.WASHER, OIL SEAL	1	1			
9	4EB-23145-00	.OIL SEAL	1	1			
10	26H-23156-00	.CLIP, OIL SEAL	1	1			
11	4EB-23144-00	.SEAL, DUST	1	1			
12	4YR-23173-00	.SPINDLE, TAPER	1	1			
13	509-23158-L0	.GASKET	1	1			
14	278-23181-50	.BOLT, HEXAGON SOCKET HEAD	1	1			
15	5BN-23141-00	.SPRING, FRONT FORK	1	1			
16	4DW-23149-40	.WASHER, SPRING UPPER	1	1			
17	4TR-23118-00	.SPACER	1	1			
18	3EN-23111-51	.BOLT, CAP	1	1			
19	43F-23188-10	.O-RING	1	1			
20	5BN-23103-10	FRONT FORK ASSY (R.H)	1	1			
21	5BN-23136-10	.TUBE, OUTER (RIGHT)	1	1			
22	5BN-23193-00	..GUIDE, BOOT	1	1			
23	5BN-23110-00	.INNER TUBE COMP.1	1	1			
24	5BN-23171-00	..PISTON, FRONT FORK	1	1			
25	5BN-23170-00	.CYLINDER COMP., FRONT FORK	1	1			
26	4FM-23125-40	.METAL, SLIDE 1	1	1			
27	36Y-23146-10	.WASHER, OIL SEAL	1	1			

FIG. 24 FRONT FORK



REF. NO.	PART NO.	DESCRIPTION	5SC5	5SC6	REMARKS
28	4EB-23145-00	.OIL SEAL	1	1	
29	26H-23156-00	.CLIP, OIL SEAL	1	1	
30	4EB-23144-00	.SEAL, DUST	1	1	
31	4YR-23173-00	.SPINDLE, TAPER	1	1	
32	509-23158-L0	.GASKET	1	1	
33	278-23181-50	.BOLT, HEXAGON SOCKET HEAD	1	1	
34	5BN-23141-00	.SPRING, FRONT FORK	1	1	
35	4DW-23149-40	.WASHER, SPRING UPPER	1	1	
36	4TR-23118-00	.SPACER	1	1	
37	3EN-23111-51	.BOLT, CAP	1	1	
38	43F-23188-10	.O-RING	1	1	
39	91314-08040	.BOLT	1	1	
40	5KS-23340-00	UNDER BRACKET COMP.	1	1	
41	91314-08020	BOLT	4	4	
42	5BN-23123-00	COVER, LOWER 1	1	1	
43	5BN-23133-00	COVER, LOWER 2	1	1	
44	5BN-23121-00	COVER, UPPER 1	1	1	
45	5BN-23131-00	COVER, UPPER 2	1	1	
46	5BN-23163-00	GASKET	2	2	
47	5BN-23394-01	BOLT, SPECIAL	6	6	
48	5BN-23165-00	WASHER, FELT	2	2	
49	4KM-23123-01	COVER, LOWER 1	1	1	
50	93399-99932	BEARING	1	1	
51	3FV-23462-00	SEAL, STEERING	1	1	

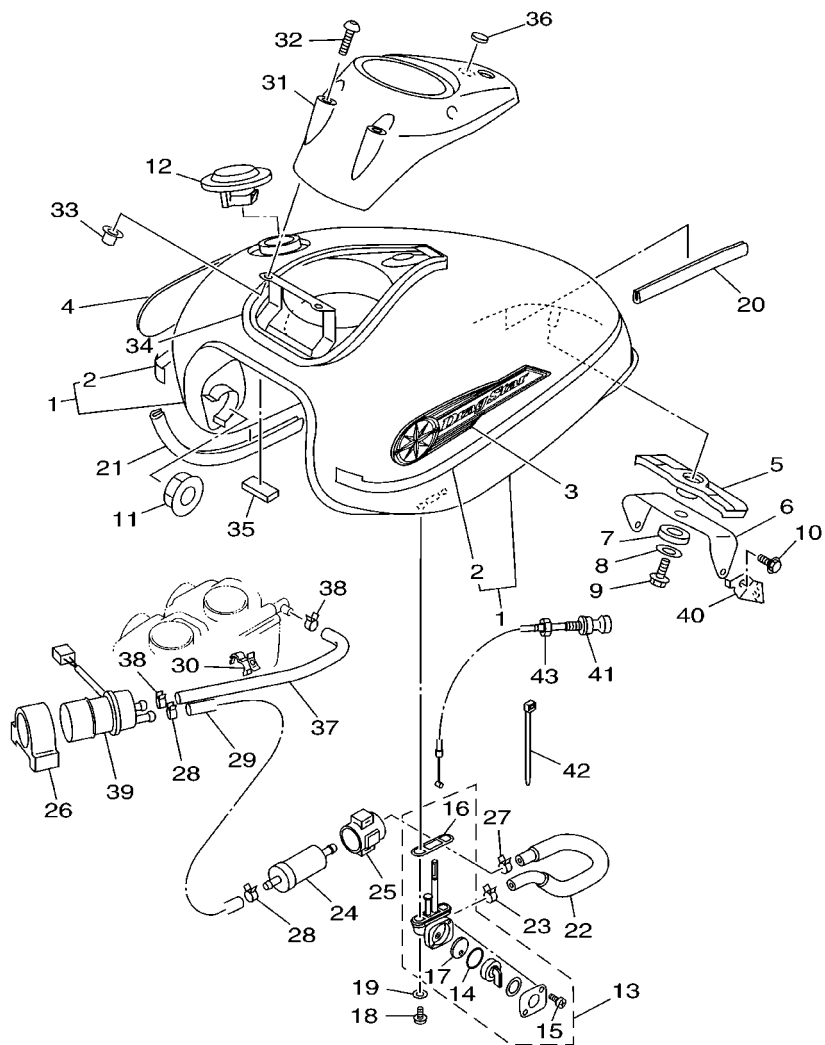
FIG. 25 FUEL TANK



  
5BNL300-0250

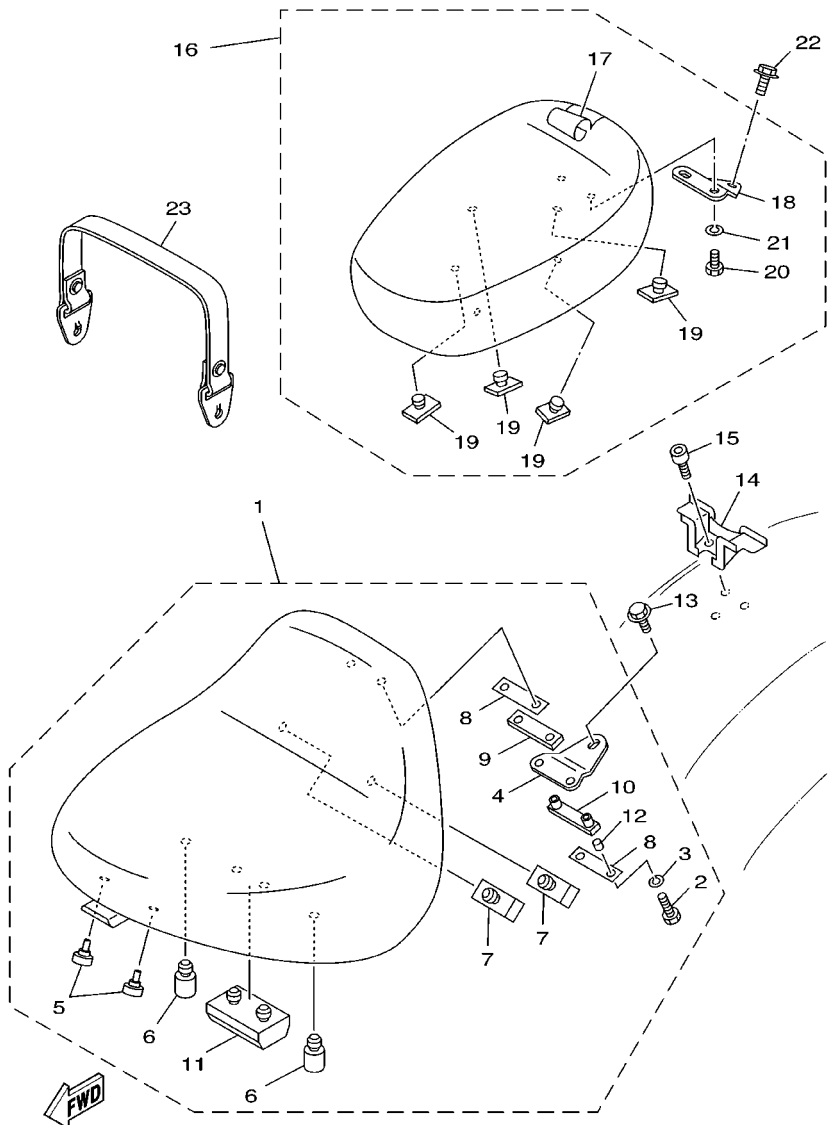
REF. NO.	PART NO.	DESCRIPTION	5SC5	5SC6	REMARKS
1	4TR-Y2410-T1-X1	FUEL TANK COMP.	1	1	UR YB
	4TR-Y2410-T1-W9	FUEL TANK COMP.	1	1	UR LYNM9
2	5BN-24240-C0	.GRAPHIC SET	1	1	UR FOR YB
	5BN-24240-P0	.GRAPHIC SET	1	1	UR FOR LYNM9
3	4VR-24161-01	EMBLEM 1	1	1	
4	4VR-24162-01	EMBLEM 2	1	1	
5	4TR-24182-00	DAMPER, LOCATING 2	1	1	
6	4TR-2413Y-00	BRACKET, TANK FITTING	1	1	
7	4TR-24183-00	DAMPER, LOCATING 3	1	1	
8	90201-060S9	WASHER, PLATE	1	1	
9	92017-06012	BOLT, BUTTON HEAD	1	1	
10	95817-08016	BOLT, FLANGE	2	2	
11	4H7-24181-00	DAMPER, LOCATING 1	2	2	
12	4TR-24602-10	CAP ASSY	1	1	
13	21V-24500-10	FUEL COCK ASSY 1	1	1	
14	3AJ-24534-00	.SEAL, COCK	1	1	
15	97801-03008	.SCREW, PAN HEAD	2	2	
16	4X8-24512-00	.O-RING	1	1	
17	3AJ-24523-00	.VALVE PACKING	1	1	
18	90149-06011	SCREW	2	2	
19	90202-05193	WASHER, PLATE	2	2	
20	1FK-2171L-00	MOLE, SIDE COVER 1	1	1	
21	4BP-24188-00	MOLD, FUEL TANK	1	1	
22	4TR-24313-00	PIPE 3	1	1	
23	90467-10038	CLIP	1	1	
24	1FK-24560-10	FILTER ASSY	1	1	
25	1FK-24566-00	BRACKET, FILTER	1	1	

FIG. 25 FUEL TANK



**FWD**  
5BNL300-0250

REF. NO.	PART NO.	DESCRIPTION	5SC5	5SC6				REMARKS
26	4EB-24398-00	BAND 1	1	1				
27	90467-11032	CLIP	1	1				
28	90467-12053	CLIP	2	2				
29	4TR-24311-00	PIPE, FUEL 1	1	1				
30	90464-15192	CLAMP	1	1				
31	4TR-2171A-00	COVER, TOP	1	1				
32	90149-05299	SCREW	3	3				
33	90179-05523	NUT	3	3				
34	4TR-2414G-00	SEAL	2	2				
35	3XV-21717-00	DAMPER	1	1				
36	4TR-2413B-00	EMBLEM	1	1				
37	4TR-14294-00	HOSE	1	1				
38	90467-12053	CLIP	2	2				
39	3LN-13907-00	FUEL PUMP COMP.	1	1				
40	4TR-2637G-00	HOLDER, WIRE	1	1				
41	4TR-26331-00	CABLE, STARTER 1	1	1				
42	1UA-82591-00	BAND	1	1				
43	1VJ-26333-00	NUT	1	1				

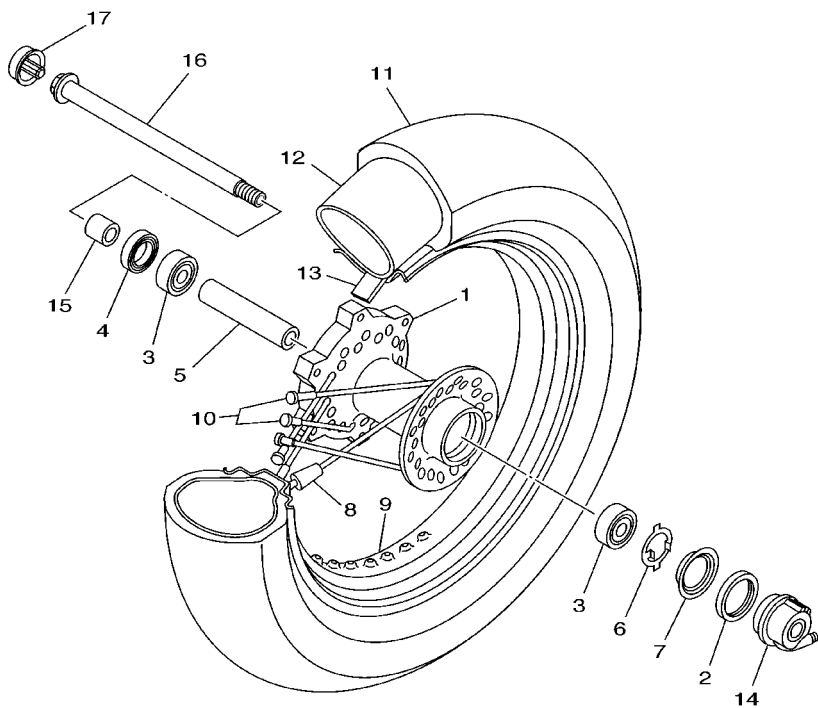


5BN1100-8260

FIG. 26 SEAT

REF. NO.	PART NO.	DESCRIPTION	SSC5	SSC6	REMARKS
1	5BN-24710-01	SINGLE SEAT ASSY	1	1	
2	97007-06025	.BOLT	2	2	
3	92907-06100	.WASHER, SPRING	2	2	
4	5BN-2475H-00	.BRACKET, SEAT LEVER 1	1	1	
5	35T-24724-00	.DAMPER, SEAT	2	2	
6	5BN-24723-00	.DAMPER, SEAT	2	2	
7	5BN-24741-00	.PAD, SEAT	2	2	
8	5BN-24736-00	.WASHER	2	2	
9	5BN-24737-00	.DAMPER, SEAT	1	1	
10	5BN-24747-00	.DAMPER, SEAT	1	1	
11	5BN-24724-00	.DAMPER, SEAT	1	1	
12	5BN-2475Y-00	.COLLAR	2	2	
13	95024-08012	BOLT, FLANGE	1	1	
14	5BN-2475K-00	BRACKET 3	1	1	
15	91317-06012	BOLT	2	2	
16	5BN-24750-00	TANDEM SEAT ASSY	1	1	
17	5BN-24751-00	.COVER, TANDEM SEAT	1	1	
18	5BN-2475J-00	.BRACKET, SEAT LEVER 2	1	1	
19	509-24724-00	.DAMPER, SEAT	4	4	
20	97007-06016	.BOLT	2	2	
21	92907-06100	.WASHER, SPRING	2	2	
22	95024-08012	BOLT, FLANGE	1	1	
23	5BN-24720-00	SEAT BAND ASSY	1	1	

FIG. 27 FRONT WHEEL

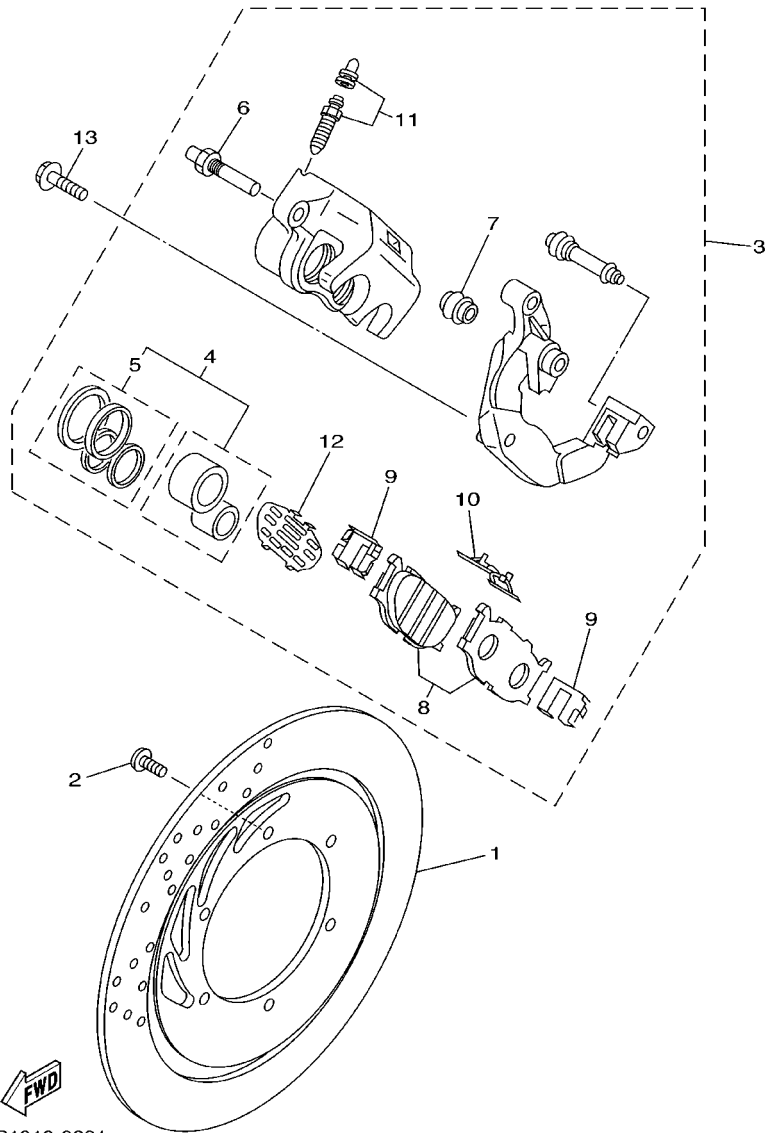


REF. NO.	PART NO.	DESCRIPTION	5SC5	5SC6	REMARKS
1	4TR-25111-00	HUB, FRONT	1	1	
2	93105-45017	OIL SEAL	1	1	
3	93306-30317	BEARING	2	2	
4	93102-28022	OIL SEAL	1	1	
5	90387-173M5	COLLAR	1	1	
6	341-25149-00	CLUTCH, METER	1	1	
7	341-25846-00	RETAINER, CLUTCH	1	1	
8	5V4-25398-00	BALANCER, WHEEL	1	1	UN
9	94430-16565	RIM	1	1	
10	5BN-25104-01	SPOKE SET, FRONT	1	1	
11	94113-1613E	TIRE (130/90-16 67S D404F)	1	1	UR DUNLOP
	94113-1613N	TIRE (130/90-16 67S G703)	1	1	UR BRIDGESTONE
12	94213-16305	TUBE (130/90-16 TR4)	1	1	UR DUNLOP
	94213-16306	TUBE (130/90-16 TR4)	1	1	UR BRIDGESTONE
13	94313-16175	BAND, RIM (120-140/90-16)	1	1	UR DUNLOP
	94330-16176	BAND, RIM (3.00-16)	1	1	UR BRIDGESTONE
14	4TX-25190-10	GEAR UNIT ASSY	1	1	
15	90387-173R6	COLLAR	1	1	
16	5KS-25181-00	AXLE, WHEEL	1	1	
17	5KS-25188-00	CAP	1	1	



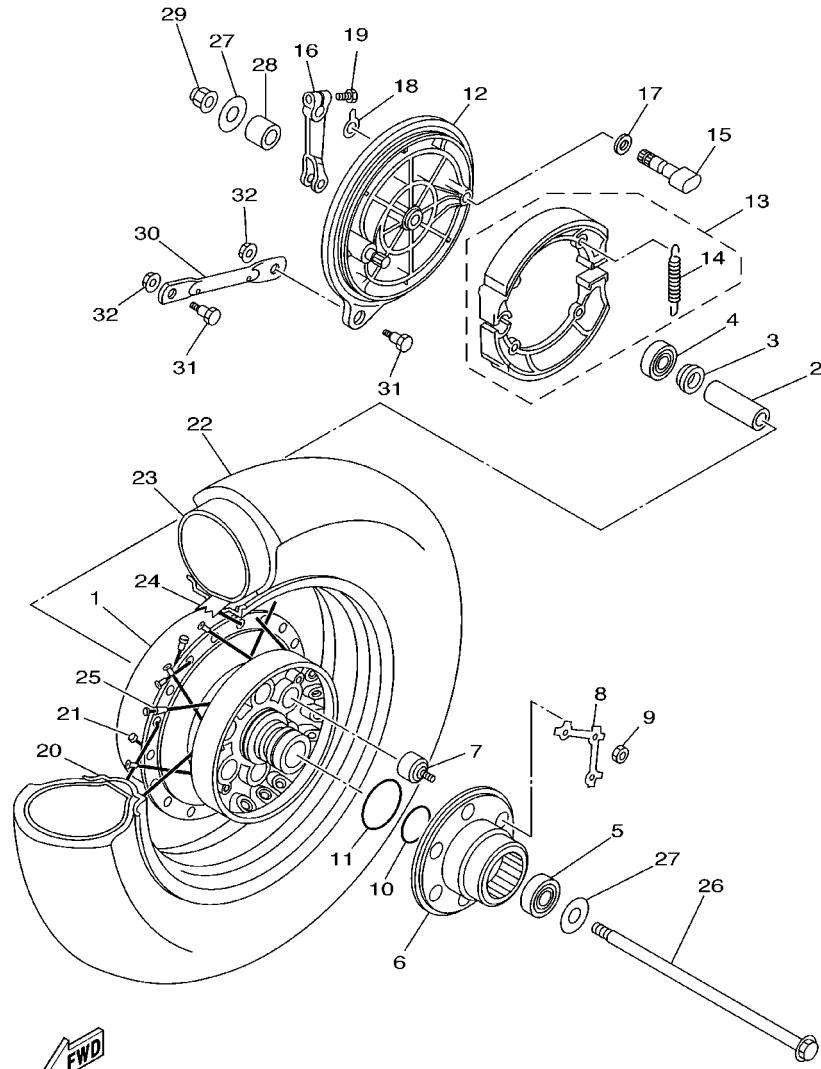
5BNV300-1270

**FIG. 28 FRONT BRAKE CALIPER**



REF. NO.	PART NO.	DESCRIPTION	5SC5	5SC6			REMARKS
1	5BN-2582U-00	DISC, BRAKE (RIGHT)	1	1			
2	90109-083G4	BOLT	6	6			
3	4WM-2580U-00	CALIPER ASSY (RIGHT)	1	1			
4	3JB-W0057-00	.PISTON ASSY, CALIPER	1	1			
5	3JB-W0047-00	..CALIPER SEAL KIT	1	1			
6	4TT-25914-00	.PIN, SLIDE	1	1			
7	4TT-25937-00	.BOOT 2	1	1			
8	4WM-W0045-00	.BRAKE PAD KIT	1	1			
9	4BP-25919-00	.SUPPORT, PAD	2	2			
10	3YX-25929-00	.SPRING, ANTI RATTLE	1	1			
11	51L-W0048-00	.BLEED SCREW KIT	1	1			
12	5BN-25827-00	.SHIM, CALIPER	1	1			
13	90109-100G0	BOLT	2	2			

FIG. 29 REAR WHEEL



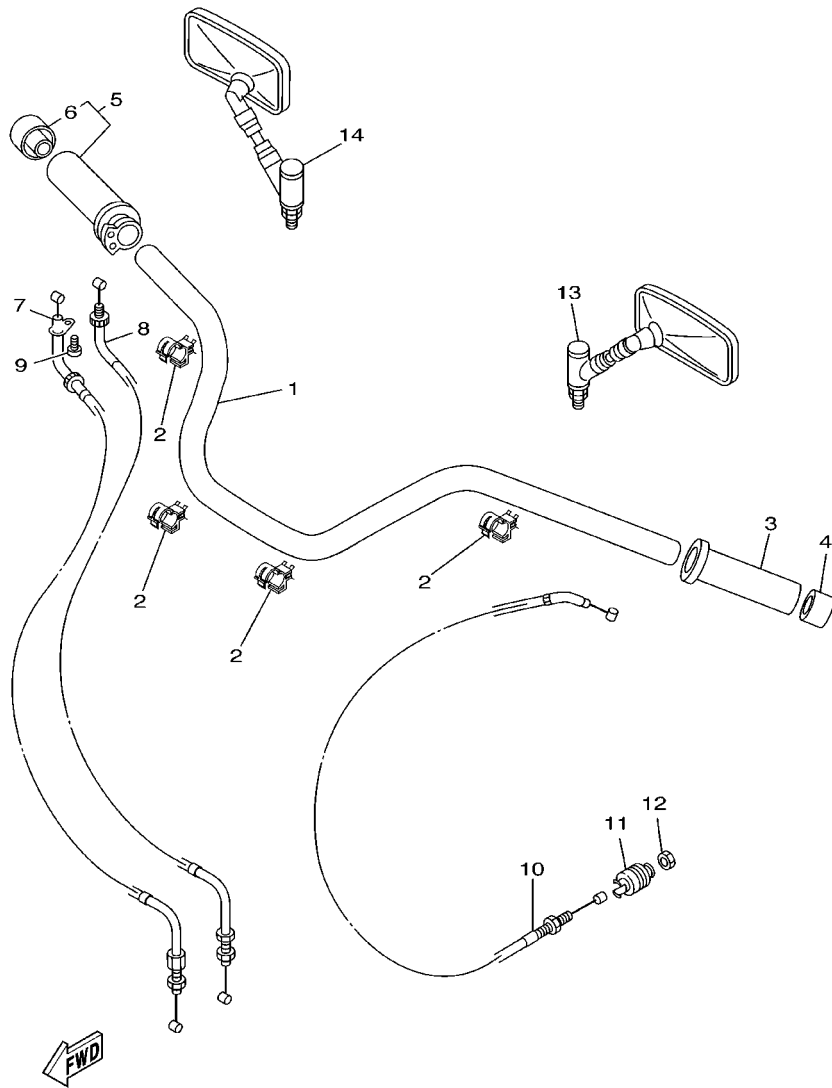
**FWD**  
5BNV300-1290

REF. NO.	PART NO.	DESCRIPTION	5SC5	5SC6			REMARKS
1	3JB-25311-00-35	HUB, REAR	1	1			SL
2	2GV-25317-00	SPACER, BEARING	1	1			
3	2GV-25315-00	FLANGE, SPACER	1	1			
4	93306-30213	BEARING	1	1			
5	93306-30212	BEARING	1	1			
6	4TR-25366-00	CLUTCH, HUB	1	1			
7	4TR-25364-00	DAMPER	6	6			
8	16G-25412-00	WASHER	2	2			
9	90170-10219	NUT	6	6			
10	93210-48530	O-RING	1	1			
11	93210-61750	O-RING	1	1			
12	4TR-25321-00	PLATE, BRAKE SHOE	1	1			
13	3DR-W253E-00	BRAKE SHOE KIT	1	1			
14	90507-20002	SPRING, TENSION	2	2			
15	4H7-25351-00	CAMSHAFT	1	1			
16	214-25355-00	LEVER, CAMSHAFT	1	1			
17	90201-14577	WASHER, PLATE	1	1			
18	4H7-2533A-02	PLATE, INDICATOR	1	1			
19	90101-06764	BOLT	1	1			
20	94435-15586	RIM	1	1			
21	4VR-25304-02	SPOKE SET, REAR	1	1			
22	94117-15009	TIRE (170/80-15M/C 77S)	1	1			UR DUNLOP
	94117-1513P	TIRE (170/80-15M/C 77S G702)	1	1			UR BRIDGESTONE
23	94217-15299	TUBE (150/170-90/80-15)	1	1			UR DUNLOP
	94217-15298	TUBE (170/80-15)	1	1			UR BRIDGESTONE
24	94317-15173	BAND, RIM (170/80-15)	1	1			UR DUNLOP
	94317-15172	BAND, RIM (3.00-15)	1	1			UR BRIDGESTONE



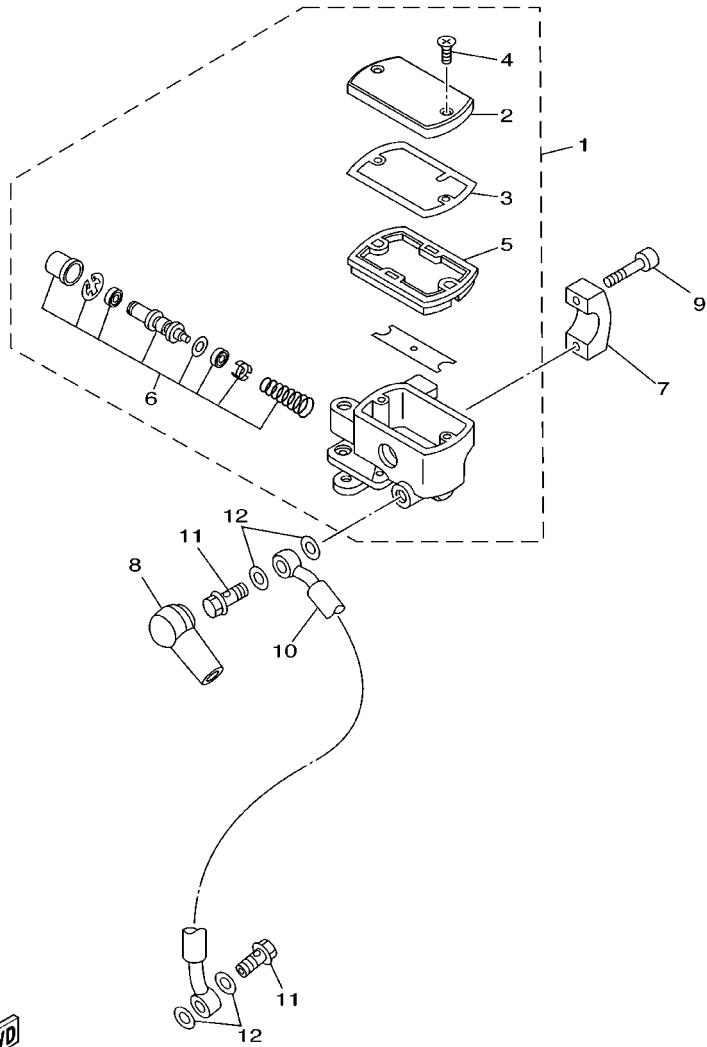


**FIG. 30 STEERING HANDLE. CABLE**



REF. NO.	PART NO.	DESCRIPTION	5SC5	5SC6				REMARKS
1	5BN-26111-10	HANDLEBAR	1	1				
2	90464-15192	CLAMP	4	4				
3	4NK-26241-00	GRIP	1	1				
4	4NK-2628J-00	CAP, GRIP	1	1				
5	4NK-26240-00	GRIP ASSY	1	1				
6	4NK-2635J-00	.CAP 2	1	1				
7	5BN-26311-10	CABLE, THROTTLE 1	1	1				
8	5BN-26312-10	CABLE, THROTTLE 2	1	1				
9	98507-05008	SCREW, PAN HEAD	1	1				
10	5BN-26335-02	CABLE, CLUTCH	1	1				
11	1E6-26342-00	BOOT, CABLE	1	1				
12	95304-08700	NUT	1	1				
13	5BN-26280-11	REAR VIEW MIRROR ASSY (LEFT)	1	1				
14	5BN-26290-11	REAR VIEW MIRROR ASSY (RIGHT)	1	1				

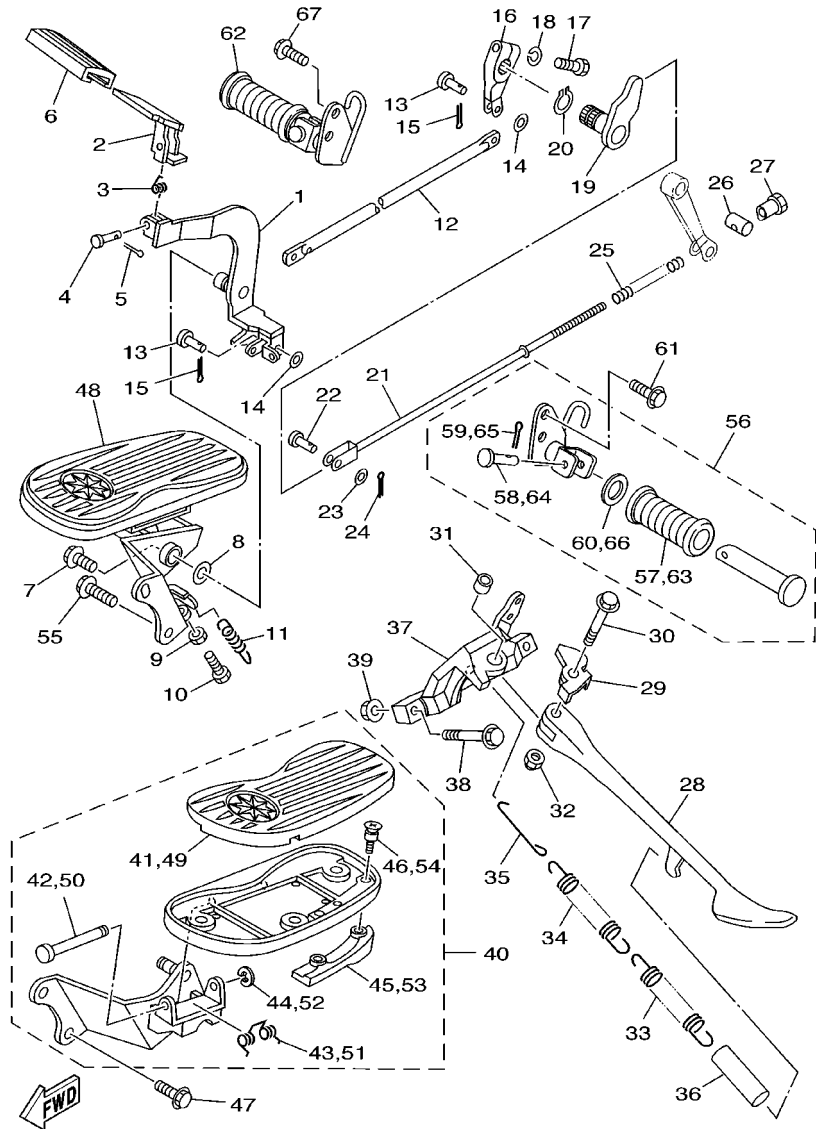
**FIG. 31 FRONT MASTER CYLINDER**



REF. NO.	PART NO.	DESCRIPTION	5SC5	5SC6				REMARKS
1	4TR-25870-01	MASTER CYLINDER SUB ASSY	1	1				
2	4TR-25852-01	.CAP, RESERVOIR	1	1				
3	4BH-25815-00	.SEAL, PISTON	1	1				
4	4TR-2589H-00	.SCREW	2	2				
5	4BH-25854-02	.DIAPHRAGM, RESERVOIR	1	1				
6	2KR-W0041-00	.CYLINDER KIT, MASTER	1	1				
7	4TR-25867-00	BRACKET, MASTER CYLINDER	1	1				
8	4L0-25862-01	BOOT, MASTER CYLINDER	1	1				
9	91314-06025	BOLT	2	2				
10	5BN-25872-00	HOSE, BRAKE 1	1	1				
11	90401-10159	BOLT, UNION	2	2				
12	90201-10118	WASHER, PLATE	4	4				

**FWD**  
5BNV300-1310

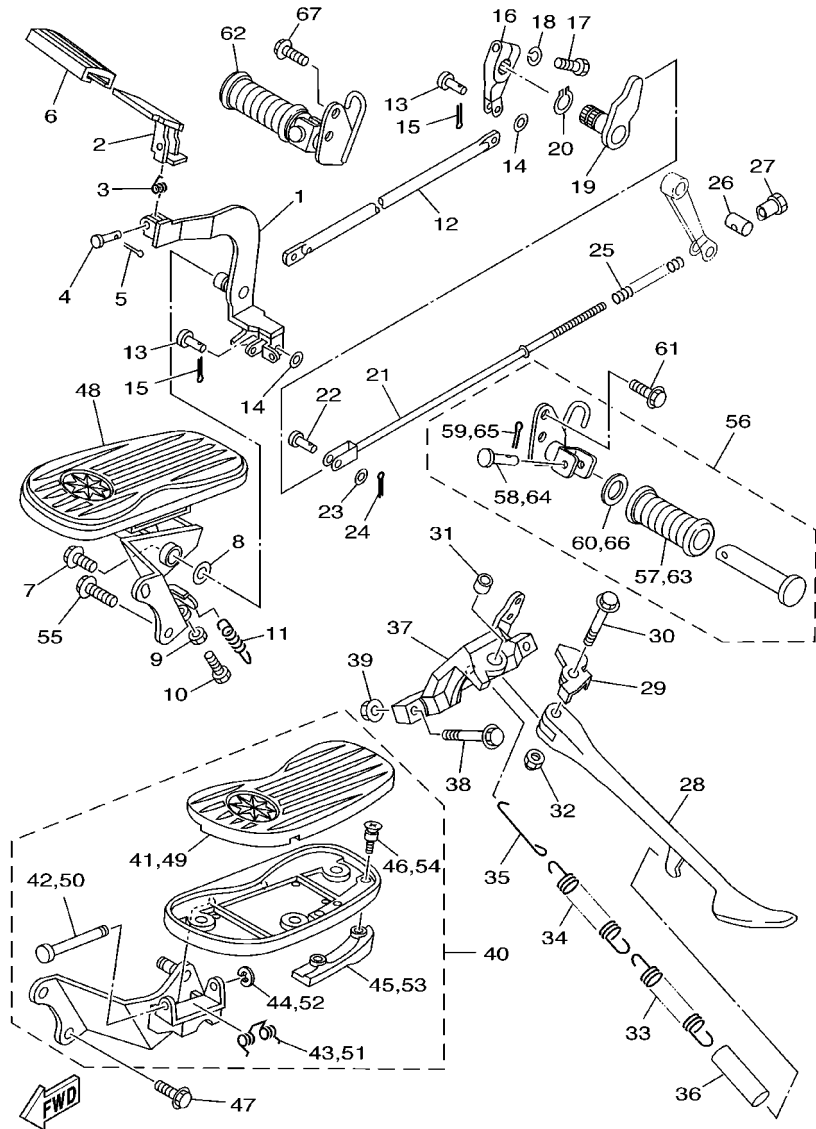
FIG. 32 STAND. FOOTREST



5BNV300-1321

REF. NO.	PART NO.	DESCRIPTION	SSC5	SSC6	REMARKS
1	5BN-27211-00	PEDAL, BRAKE	1	1	
2	4NK-27242-00	PEDAL, BRAKE	1	1	
3	90508-186B1	SPRING, TORSION	1	1	
4	91701-06022	PIN, CLEVIS	1	1	
5	91401-20012	PIN, COTTER	1	1	
6	4NK-27285-00	CAP	1	1	
7	90110-06249	BOLT, HEXAGON SOCKET HEAD	1	1	
8	90206-14086	WASHER, WAVE	1	1	
9	95307-06700	NUT	1	1	
10	90101-06534	BOLT	1	1	
11	90506-20369	SPRING, TENSION	1	1	
12	4TR-27247-00	ROD 1	1	1	
13	90240-06108	PIN, CLEVIS	2	2	
14	90201-062P7	WASHER, PLATE	2	2	
15	91401-20012	PIN, COTTER	2	2	
16	4TR-27243-00	BOSS, BRAKE PEDAL	1	1	
17	90109-06468	BOLT	1	1	
18	92907-06100	WASHER, SPRING	1	1	
19	4TR-27212-00	SHAFT, BRAKE PEDAL	1	1	
20	99009-19400	CIRCLIP	1	1	
21	4TR-27231-00	ROD, BRAKE	1	1	
22	90240-06108	PIN, CLEVIS	1	1	
23	90201-062P7	WASHER, PLATE	1	1	
24	91401-20012	PIN, COTTER	1	1	
25	90501-10245	SPRING, COMPRESSION	1	1	
26	90249-12008	PIN	1	1	
27	90179-06411	NUT	1	1	

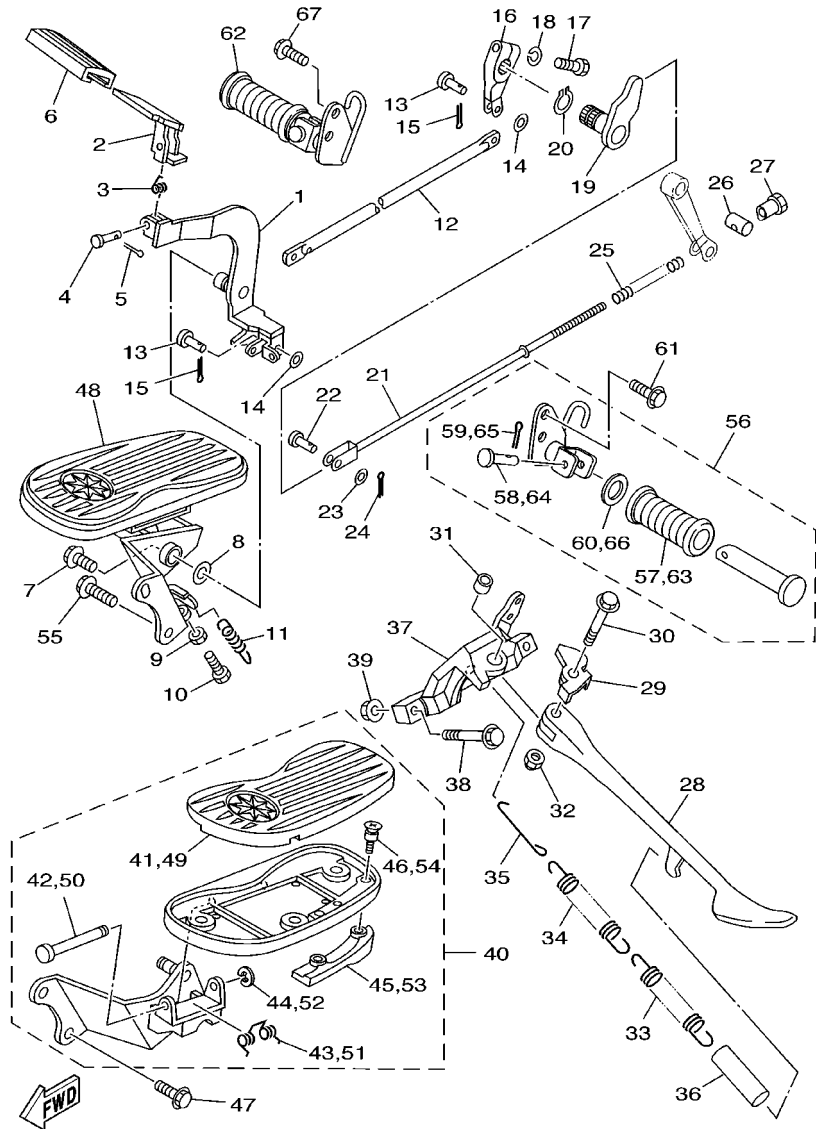
FIG. 32 STAND, FOOTREST



5BNV300-1321

REF. NO.	PART NO.	DESCRIPTION	SSC5	SSC6	REMARKS
28	4KU-27311-13	STAND, SIDE	1	1	
29	5EL-27322-01	WASHER	1	1	
30	90105-10012	BOLT, FLANGE	1	1	
31	90387-1003G	COLLAR	1	1	
32	95607-10200	NUT, SELF-LOCKING	1	1	
33	90506-23490	SPRING, TENSION	1	1	
34	90506-29507	SPRING, TENSION	1	1	
35	5EL-27315-00	LINK, SIDE STAND	1	1	
36	90445-16641	HOSE (L60)	1	1	
37	5BN-27321-00	BRACKET, SIDE STAND	1	1	
38	90105-10727	BOLT, FLANGE	2	2	
39	95607-10200	NUT, SELF-LOCKING	2	2	
40	5BN-27410-00	FRONT FOOTREST ASSY (LEFT)	1	1	
41	5BN-27413-00	.COVER, FOOTREST	1	1	
42	4NK-27427-00	.SHAFT	1	1	
43	4NK-27426-00	.SPRING, RETURN	1	1	
44	99001-06600	.CIRCLIP	1	1	
45	4WM-27496-00	.MOLE 1	1	1	
46	90152-05008	.SCREW, COUNTERSUNK	2	2	
47	90105-102A3	BOLT, FLANGE	2	2	
48	5BN-27420-00	FRONT FOOTREST ASSY (RIGHT)	1	1	
49	5BN-27423-00	.COVER, FOOTREST	1	1	
50	4NK-27427-00	.SHAFT	1	1	
51	4NK-27426-00	.SPRING, RETURN	1	1	
52	99001-06600	.CIRCLIP	1	1	
53	4WM-27497-00	.MOLE 2	1	1	
54	90152-05008	.SCREW, COUNTERSUNK	2	2	

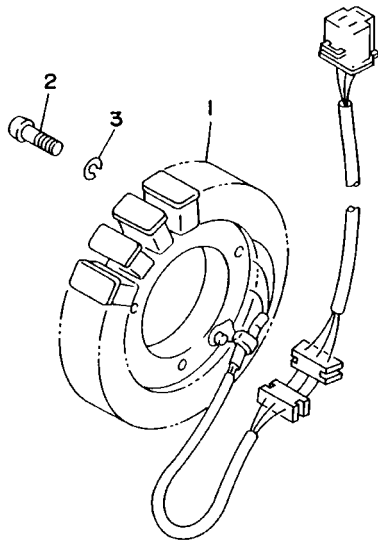
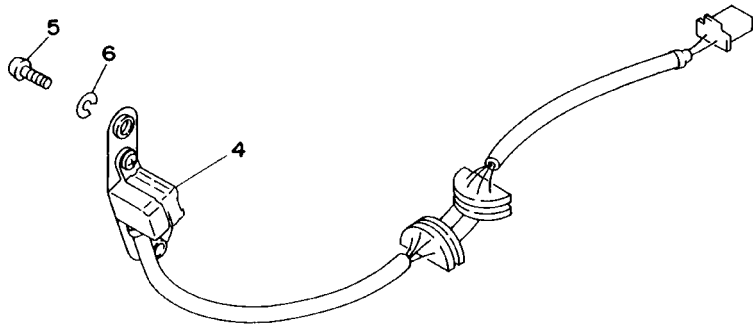
FIG. 32 STAND. FOOTREST



5BNV300-1321

REF. NO.	PART NO.	DESCRIPTION	5SC5	5SC6				REMARKS
55	90105-102A3	BOLT, FLANGE	2	2				
56	4TR-27430-10	REAR FOOTREST ASSY 1	1	1				
57	120-27433-00	.COVER, REAR FOOTREST	1	1				
58	91701-06032	.PIN, CLEVIS	1	1				
59	91401-20015	.PIN, COTTER	1	1				
60	90201-20279	.WASHER, PLATE	1	1				
61	90105-082A5	BOLT, FLANGE	2	2				
62	4TR-27440-10	REAR FOOTREST ASSY 2	1	1				
63	120-27433-00	.COVER, REAR FOOTREST	1	1				
64	91701-06032	.PIN, CLEVIS	1	1				
65	91401-20015	.PIN, COTTER	1	1				
66	90201-20279	.WASHER, PLATE	1	1				
67	90105-082A5	BOLT, FLANGE	2	2				

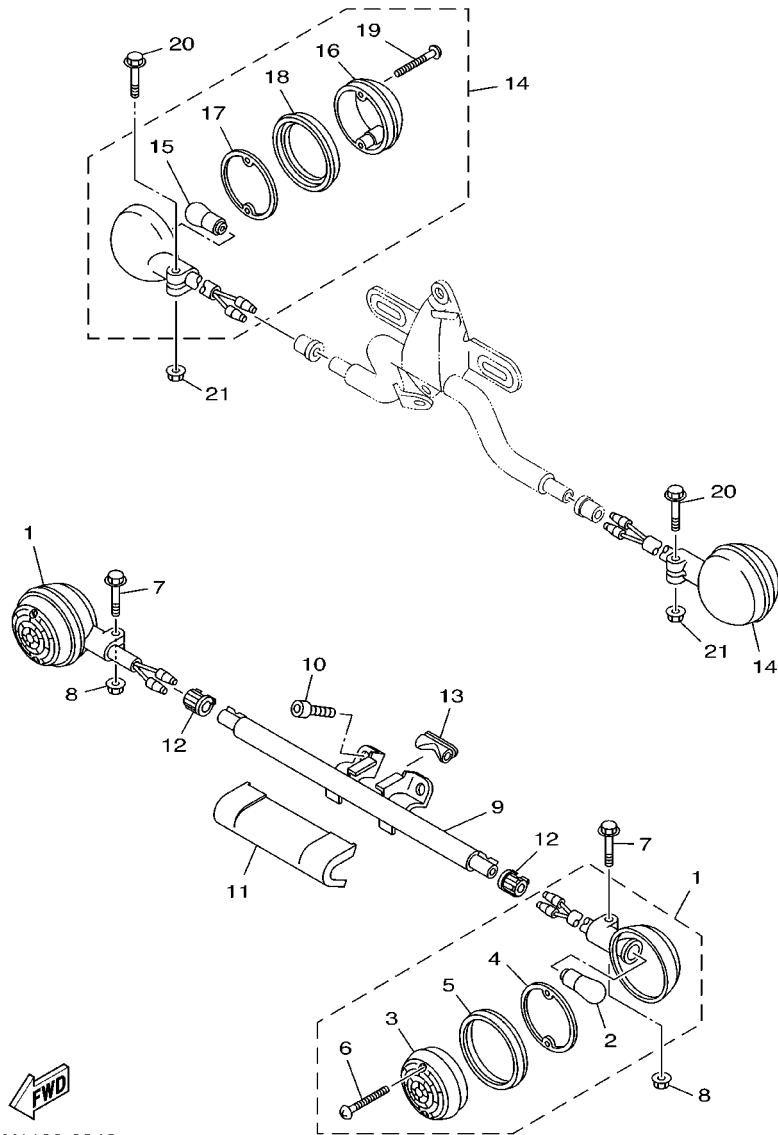
**FIG. 33 GENERATOR**



REF. NO.	PART NO.	DESCRIPTION	5SC5	5SC6				REMARKS
1	4VR-81410-00	STATOR ASSY	1	1				
2	98507-06030	SCREW, PAN HEAD	3	3				
3	92907-06600	WASHER, PLATE	3	3				
4	4TR-81670-00	PICK-UP ASSY	1	1				
5	98507-06020	SCREW, PAN HEAD	3	3				
6	92907-06600	WASHER, PLATE	3	3				

**FWD**  
4TR1010-6330

FIG. 34 FLASHER LIGHT

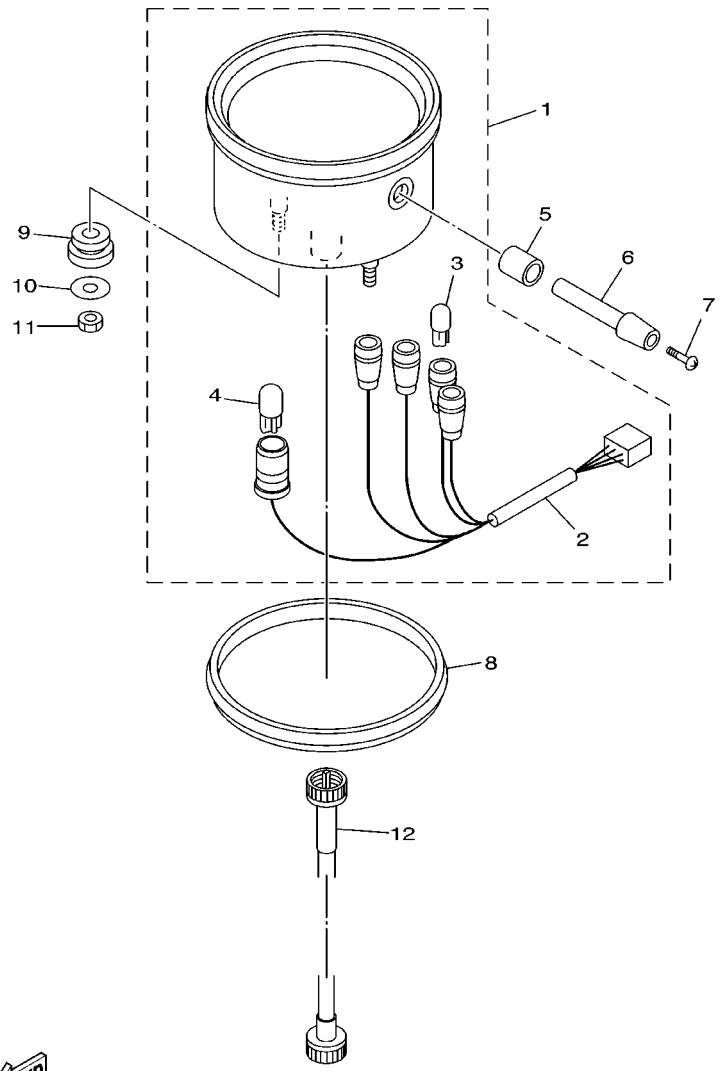


5BN1100-8342

REF. NO.	PART NO.	DESCRIPTION	5SC5	5SC6	REMARKS
1	2EN-83310-00	FRONT FLASHER LIGHT ASSY 1	2	2	
2	2AE-83311-00	.BULB, FLASHER (12V-21W)	1	1	
3	42X-83312-00	.LENS, FLASHER	1	1	
4	42X-83313-00	.GASKET, FLASHER LENS	1	1	
5	42X-83363-00	.LENS, RIM	1	1	
6	57M-83358-00	.SCREW, SPECIAL	2	2	
7	95024-06030	BOLT, FLANGE	2	2	
8	95704-06500	NUT, FLANGE	2	2	
9	5BN-2317V-00	STAY 8	1	1	
10	91314-08016	BOLT	2	2	
11	4NK-23122-01	COVER, OUTER 1	1	1	
12	4NK-83321-00	DAMPER, FLASHER 1	2	2	
13	4NK-83345-00	PLUG, BLIND	1	1	
14	2EN-83330-00	REAR FLASHER LIGHT ASSY 1	2	2	
15	2AE-83311-00	.BULB, FLASHER (12V-21W)	1	1	
16	2AE-83312-00	.LENS, FLASHER	1	1	
17	42X-83313-00	.GASKET, FLASHER LENS	1	1	
18	42X-83363-00	.LENS, RIM	1	1	
19	57M-83358-00	.SCREW, SPECIAL	2	2	
20	95024-06030	BOLT, FLANGE	2	2	
21	95704-06500	NUT, FLANGE	2	2	



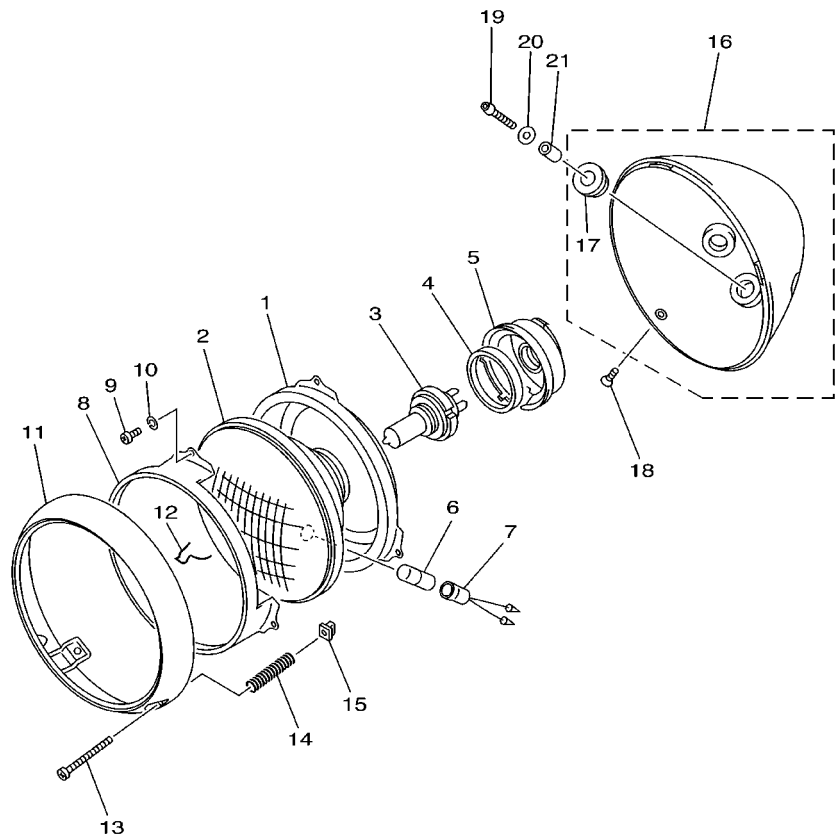
**FIG. 35 METER**



REF. NO.	PART NO.	DESCRIPTION	5SC5	5SC6	REMARKS
1	4TR-83580-40	SPEEDOMETER ASSY	1	1	UR
	4TR-83580-90	SPEEDOMETER ASSY	1	1	UR FOR GBR
2	4TR-83520-10	.SOCKET CORD ASSY	1	1	
3	2GV-83517-00	.BULB (12V-1.7W, T6.5)	4	4	
4	1YT-83517-00	.BULB (12V-1.7W, T10)	1	1	
5	4TR-83535-00	TUBE	1	1	
6	1JK-83578-00	KNOB, TRIP METER	1	1	
7	90157-02031	SCREW, PAN HEAD	1	1	
8	4TR-83513-00	DAMPER	1	1	
9	4TR-83526-00	DAMPER 2	2	2	
10	90201-05033	WASHER, PLATE	2	2	
11	95307-05700	NUT	2	2	
12	5BN-83550-01	SPEEDOMETER CABLE ASSY	1	1	

  
4VR1300-7350

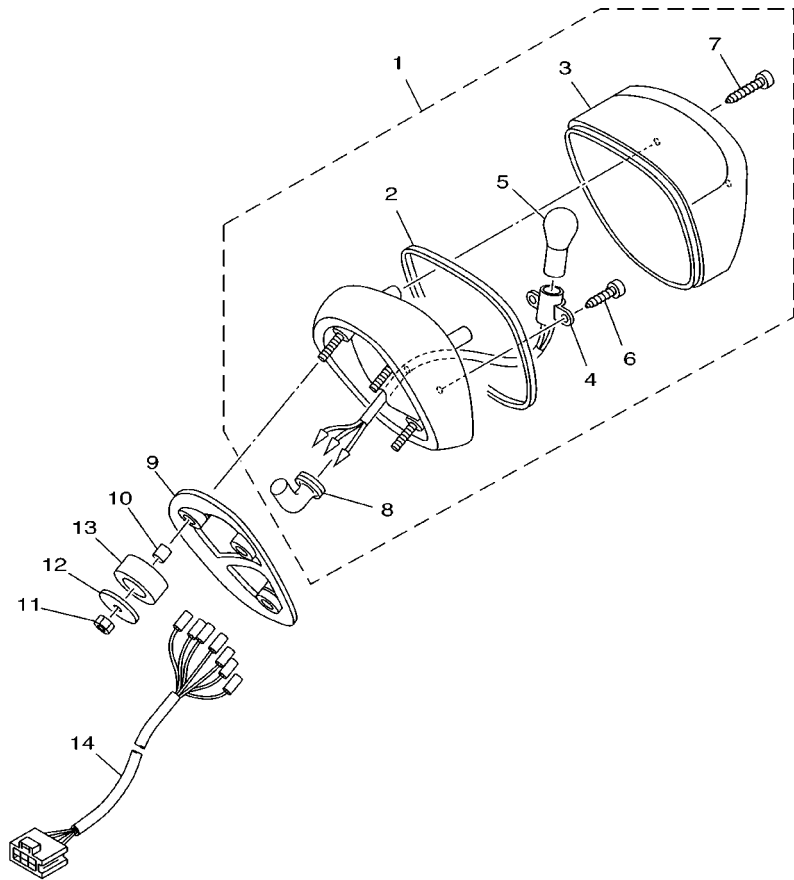
FIG. 36 HEADLIGHT



5BN4351-8360

REF. NO.	PART NO.	DESCRIPTION	5SC5	5SC6	REMARKS
1	4NK-84394-00	RING, MOUNTING	1	1	
2	2K3-84321-40	LENS ASSY	1	1	UR
	5KS-84320-00	LENS ASSY	1	1	UR FOR GBR
3	2F9-84314-00	BULB (12V-60/55W)	1	1	(H4)HALOGEN
4	2F9-84375-00	SETTING PLATE, BULB	1	1	EXCEPT FOR GBR
5	2F9-84397-01	COVER, SOCKET	1	1	UR
	3SX-84397-00	COVER, SOCKET	1	1	UR FOR GBR
6	4E2-84347-00	.BULB (12V-4W)	1	1	
7	306-84346-30	.SOCKET, PILOT LIGHT	1	1	
8	2F9-84395-00	RING, RETAINING	1	1	
9	98502-04008	SCREW, PAN HEAD	3	3	
10	92902-04100	WASHER, SPRING	3	3	
11	4NK-84315-00	RIM, HEADLIGHT	1	1	
12	290-84124-21	SPRING, SET	1	1	
13	341-84331-60	SCREW, RIM ADJUSTING	2	2	
14	5G2-84332-60	SPRING, SCREW	2	2	
15	198-84334-60	NUT, ADJUSTING	2	2	
16	5BN-84330-00	BODY ASSY	1	1	
17	42X-84366-00	.DAMPER, HEADLIGHT 1	3	3	
18	98704-05012	SCREW, FLAT HEAD	2	2	
19	92017-06025	BOLT, BUTTON HEAD	3	3	
20	90201-060A3	WASHER, PLATE	3	3	
21	90387-0610J	COLLAR	3	3	

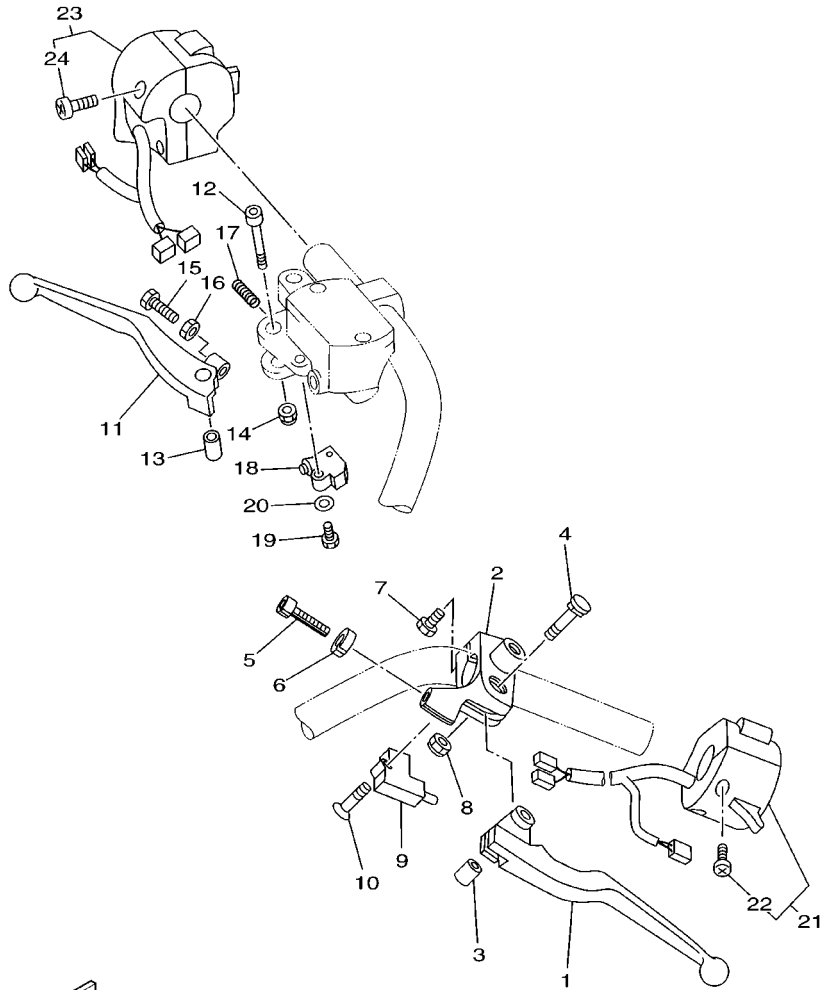
**FIG. 37 TAILLIGHT**



5BN4351-8370

REF. NO.	PART NO.	DESCRIPTION			REMARKS
			5SC5	5SC6	
1	5BN-84700-11	TAILLIGHT ASSY	1	1	
2	4NK-84702-00	.GASKET, TAILLENS	1	1	
3	4YP-84721-00	.LENS, TAILLIGHT	1	1	
4	5BN-84735-00	.CORD ASSY	1	1	
5	31L-84714-00	.BULB, TAILLIGHT (12V-21/5W)	1	1	
6	97707-40516	.SCREW, TAPPING	2	2	
7	97780-40525	.SCREW, TAPPING	3	3	
8	5BN-84154-00	.GROMMET	1	1	
9	4NK-84527-01	DAMPER	1	1	
10	90387-07038	COLLAR	3	3	
11	95307-06600	NUT	3	3	
12	90201-065G8	WASHER, PLATE	3	3	
13	5BN-84553-00	DAMPER	3	3	
14	5BN-84717-00	CORD, TAILLIGHT	1	1	

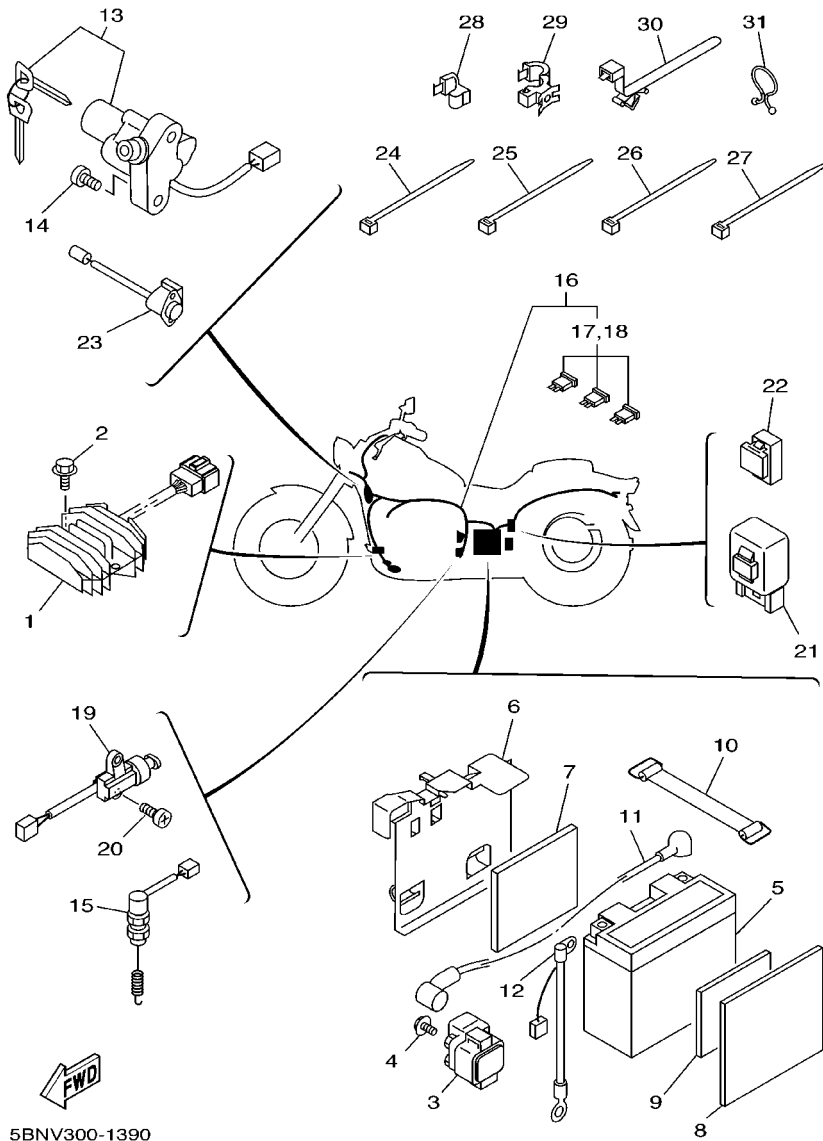
**FIG. 38 HANDLE SWITCH. LEVER**



**FWD**  
5BNL300-0380

REF. NO.	PART NO.	DESCRIPTION	5SC5	5SC6	REMARKS
1	5BN-83912-00	LEVER 1	1	1	
2	5BN-82911-00	HOLDER, LEVER 1	1	1	
3	4TR-83913-00	COLLAR, LEVER 1	1	1	
4	4TR-83945-00	BOLT, LEVER	1	1	
5	90123-08046	BOLT	1	1	
6	90179-08148	NUT	1	1	
7	97004-06020	BOLT	1	1	
8	95604-06100	NUT, U	1	1	
9	3YX-82917-00	SWITCH	1	1	
10	98707-03020	SCREW, FLAT HEAD	1	1	
11	5BN-83922-00	LEVER 2	1	1	
12	90110-06074	BOLT, HEXAGON SOCKET HEAD	1	1	
13	36Y-83913-01	COLLAR, LEVER 1	1	1	
14	95607-06100	NUT, U	1	1	
15	90149-06131	SCREW	1	1	
16	90170-06010	NUT	1	1	
17	90501-10312	SPRING, COMPRESSION	1	1	
18	36Y-83980-01	FRONT STOP SWITCH ASSY	1	1	
19	98507-04016	SCREW, PAN HEAD	1	1	
20	92907-04600	WASHER	1	1	
21	5BN-83972-00	SWITCH, HANDLE 4	1	1	
22	98504-05025	.SCREW, PAN HEAD	2	2	
23	5BN-83963-00	SWITCH, HANDLE 3 (RIGHT)	1	1	
24	98504-05025	.SCREW, PAN HEAD	2	2	

FIG. 39 ELECTRICAL 1

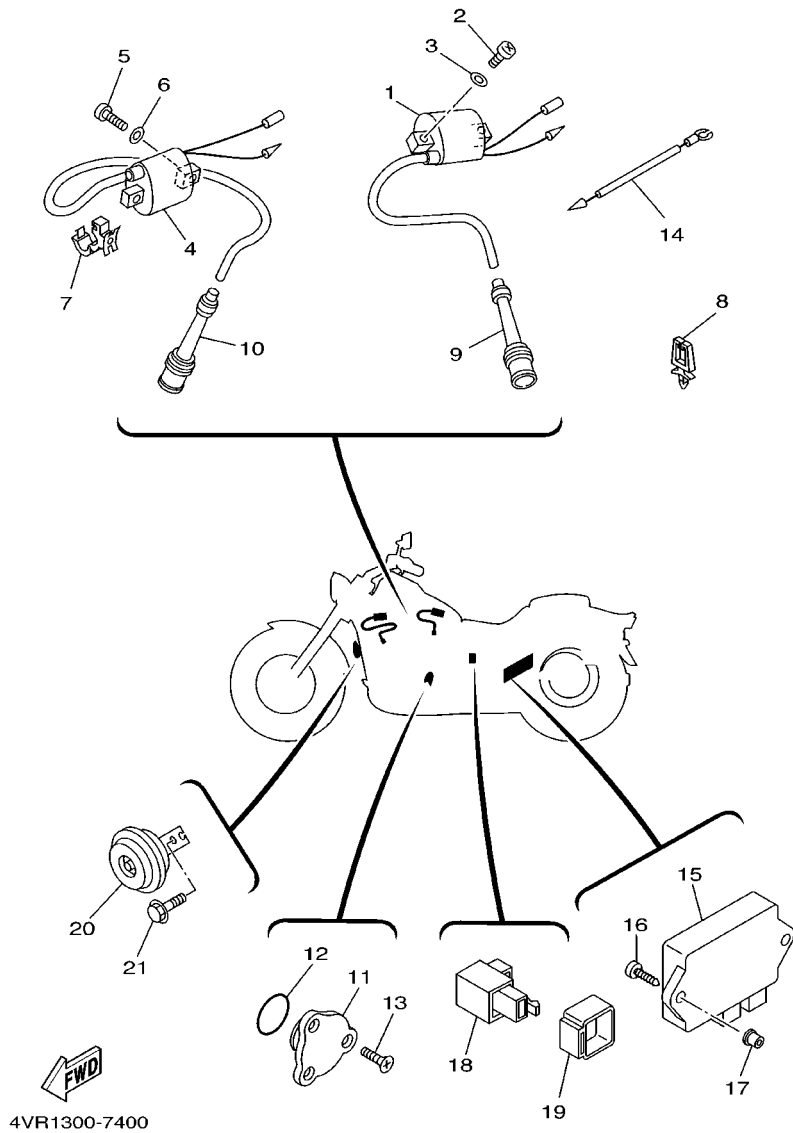


5BNV300-1390

REF. NO.	PART NO.	DESCRIPTION	SSC5	SSC6	REMARKS
1	5KP-81960-00	RECTIFIER & REGULATOR ASSY	1	1	
2	95804-06020	BOLT, FLANGE	2	2	
3	4BH-81940-00	STARTER RELAY ASSY	1	1	
4	95027-06008	BOLT, FLANGE	2	2	
5	4TX-82100-01	BATTERY ASSY (GT12B-4)	1	1	
6	5BN-82129-00	COVER, BATTERY	1	1	
7	29N-14425-00	DAMPER 1	1	1	
8	4VR-2176E-00	PLATE	1	1	
9	29N-14425-00	DAMPER 1	1	1	
10	133-82131-00	BAND, BATTERY	1	1	
11	5BN-82115-00	WIRE, PLUS LEAD	1	1	
12	5BN-82116-00	WIRE, MINUS LEAD	1	1	
13	4VR-82501-01	MAIN SWITCH STEERING LOCK	1	1	
14	90149-08002	SCREW	2	2	
15	3HN-82530-11	STOP SWITCH ASSY	1	1	
16	5BN-82590-30	WIRE HARNESS ASSY	1	1	
17	36Y-82151-00	.FUSE (15A-BL)	3	3	
18	42X-82151-00	.FUSE (10A-BL)	3	3	
19	3LD-82566-B0	SWITCH, SIDE STAND	1	1	
20	90157-05079	SCREW, PAN HEAD	2	2	
21	5KP-81950-00	RELAY ASSY	1	1	
22	1UY-81950-92	RELAY ASSY	1	1	
23	5FU-82560-30	THERMO SWITCH ASSY	1	1	
24	1UA-82591-00	BAND	1	1	
25	1UA-82591-00	BAND	10	10	
26	1UA-82591-00	BAND	2	2	
27	1UA-82591-00	BAND	1	1	



FIG. 40 ELECTRICAL 2



REF. NO.	PART NO.	DESCRIPTION	5SC5	5SC6	REMARKS
1	4VR-82310-00	IGNITION COIL ASSY	1	1	REAR
2	98507-05020	SCREW, PAN HEAD	2	2	
3	92907-05600	WASHER, PLATE	2	2	
4	4VR-82320-00	IGNITION COIL ASSY	1	1	FRONT
5	98507-05020	SCREW, PAN HEAD	2	2	
6	92907-05600	WASHER, PLATE	2	2	
7	90464-10190	CLAMP	1	1	
8	90464-05141	CLAMP	1	1	
9	1FK-82370-00	PLUG CAP ASSY	1	1	
10	4TR-82370-00	PLUG CAP ASSY	1	1	
11	1L9-82540-00	NEUTRAL SWITCH ASSY	1	1	
12	93210-29196	O-RING	1	1	
13	90149-05321	SCREW	3	3	
14	4TR-82509-00	WIRE, SUB LEAD	1	1	
15	5BN-82305-20	IGNITOR UNIT ASSY	1	1	
16	97707-60020	SCREW, TAPPING	2	2	
17	90338-08226	PLUG	2	2	
18	4VR-83350-00	FLASHER RELAY ASSY	1	1	
19	4VR-8338V-00	DAMPER	1	1	
20	55V-83371-00	HORN	1	1	
21	90105-082A5	BOLT, FLANGE	1	1	

NUMERICAL INDEX

PARTNO.	GRID NO.	PARTNO.	GRID NO.	PARTNO.	GRID NO.	PARTNO.	GRID NO.	PARTNO.	GRID NO.	PARTNO.	GRID NO.
2KR-W0041-00	E - 4	3LD-11633-00	B - 5	3CF-14107-10	B - 11	5BN-14808-00	B - 14	22U-16321-00	C - 6	4TR-18511-00	C - 10
4WM-W0045-00	D - 14	4VR-11636-00	B - 5	3DM-14141-34	B - 11	5BN-14840-00	B - 13	4X7-16324-00	C - 6	4TR-18512-00	C - 10
3JB-W0047-00	D - 14	4VR-11638-00	B - 5	4KM-14142-20	B - 11	5BN-14857-01	B - 14	4X7-16325-00	C - 6	4TR-18513-00	C - 10
51L-W0048-00	D - 14	4VR-11650-00	B - 5	1HX-14147-00	B - 11	5BN-14858-00	B - 14	22U-16351-00	C - 6	3YF-18531-00	C - 10
3JB-W0057-00	D - 14	22U-11654-00	B - 5	36Y-14147-00	B - 12	5BN-14871-00	B - 14	4VR-16356-00	C - 6	4TR-18535-00	C - 10
4VR-W1752-00	C - 9	4VR-11656-00	B - 5	137-14153-00	B - 11	5BN-14872-00	B - 14	22U-16357-00	C - 7	4TR-18540-02	C - 10
3DR-W253E-00	D - 15	3LD-11656-10	B - 5	353-14186-00	B - 12	5BN-14875-00	B - 14	1W1-16358-01	C - 6	4UN-18542-00	C - 10
4VR-Y1754-00	C - 9	3LD-11656-20	B - 5	12R-14191-00	B - 12	5BN-14881-00	B - 14	4VR-16371-00	C - 6	4UN-18566-00	C - 10
5BN-Y2151-21-33	C - 14	3LD-11656-30	B - 5	1AE-14227-00	B - 11	5BN-14882-00	B - 13	22U-16380-00	C - 6	4VR-21110-20	C - 12
5BN-Y2151-41-P1	C - 14	4VR-12111-00	B - 6	1HX-14231-20	B - 11	5BN-14883-00	B - 13	4KU-17121-00	C - 8	4VR-21161-00	C - 13
5BN-Y2161-12-33	C - 14	3Y1-12114-01	B - 6	3G2-14231-18	B - 11	5BN-14884-00	B - 14	4VR-17131-00	C - 8	4R8-21308-00	C - 15
5BN-Y2161-22-P1	C - 14	3Y1-12116-00	B - 6	1AE-14237-00	B - 11	5BN-14885-00	B - 14	3JB-17141-00	C - 8	4VR-21315-00	C - 12
4VR-Y2343-50	D - 7	3Y1-12117-01	B - 6	4HM-14239-00	B - 12	4XP-1490J-00	B - 11	4VR-17151-00	C - 8	4VR-21317-00	C - 12
4TR-Y2410-T1-W9	D - 10	1J7-12118-00	B - 6	1WG-14251-00	B - 12	3KW-1490K-00	B - 12	22U-17211-00	C - 8	5BN-21317-00	C - 12
4TR-Y2410-T1-X1	D - 10	1J7-12119-01	B - 6	1AE-14261-00	B - 11	4TR-1490L-00	B - 12	4KU-17221-00	C - 8	4TR-2144G-01	C - 13
4XP-11101-11	B - 2	4VR-12121-00	B - 6	26H-14275-00	B - 12	5BN-14900-21	B - 11	4VR-17231-00	C - 8	4TR-21460-01	C - 12
5BN-11101-10	B - 2	22U-12151-00	B - 6	4TR-14294-00	D - 11	5BN-14900-31	B - 11	4TR-17241-00	C - 8	5BN-21518-01	C - 14
22U-1111F-01	B - 3	22U-12156-01	B - 6	4TR-14348-00	B - 12	5BN-14901-21	B - 11	4VR-17251-00	C - 8	5BN-21565-00	C - 14
4TR-1111F-00	B - 2	22U-12159-00	B - 6	4TR-1440F-00	B - 9	5BN-14901-31	B - 11	22U-17402-00	C - 8	5BN-2157A-00	C - 14
4VR-1111N-00	B - 4	4VR-12171-00	B - 7	4TR-1440G-00	B - 9	5BN-14902-21	B - 11	4VR-17411-00	C - 8	5BN-2157A-50	C - 14
4TR-1112F-00	B - 2	22U-12176-01	B - 7	4TR-14411-00	B - 9	5BN-14902-31	B - 11	22U-17524-00	C - 9	5BN-21587-01	C - 14
4H7-11133-10	B - 2	4VR-12181-00	B - 7	4TR-14413-00	B - 9	4VR-14933-00	B - 11	4VR-17527-00	C - 9	5BN-21598-00	C - 14
4TR-11142-00	B - 2	11H-12210-02	B - 7	4TR-14417-00	B - 9	4TR-14937-00	B - 12	3H5-17529-00	C - 9	4TR-2160A-00	D - 2
22U-11145-00	B - 2	3BT-12213-00	B - 7	4TR-14421-00	B - 9	22V-14940-00	B - 12	3JB-17531-00	C - 9	5BN-21613-10	C - 14
4TR-11152-00	B - 2	4VR-12231-00	B - 7	29N-14425-00	E - 14	4TR-14940-00	B - 11	3JB-17531-10	C - 9	5BN-21614-10	C - 14
22U-11165-00	B - 2	22U-12241-00	B - 7	4VR-14431-00	B - 9	4XR-14940-00	B - 12	3JB-17531-20	C - 9	4TR-21629-00	C - 15
4TR-11166-00	B - 2	4TR-12682-00	B - 10	4TR-14437-00	B - 9	1HX-14985-00	B - 12	3JB-17531-30	C - 9	42U-21639-00	C - 15
4VR-11181-10	B - 2	4VR-13300-00	B - 8	4TR-14451-00	B - 9	4TR-14987-00	B - 12	3JB-17531-40	C - 9	5BN-2165B-01	C - 14
22U-11186-00	B - 3	22U-13324-00	B - 8	4TR-14452-00	B - 9	4TR-15100-15	B - 15	3JB-17531-50	C - 9	5BN-2165B-50	C - 14
4TR-11186-11	B - 2	4VR-13325-00	B - 8	4TR-14453-00	B - 9	2H7-15361-00	C - 3	1J7-17537-Y0-30	D - 5	55K-21708-00	D - 2
22U-11187-00	B - 3	4TR-13410-00	B - 8	4TR-14455-00	B - 10	3F9-15362-00	C - 3	1J7-17537-Y0-40	D - 5	4TR-2171A-00	D - 11
4TR-11187-11	B - 2	22U-13415-00	B - 8	4TR-14456-00	B - 9	11H-15383-02	B - 15	1J7-17537-Y0-50	D - 5	4TR-2171E-00	C - 12
4VR-11190-00	B - 4	4VR-13417-00	B - 8	4TR-14463-00	B - 9	4TR-15411-00	C - 3	4H7-17537-00-20	C - 9	1FK-2171L-00	D - 10
4VR-11191-00	B - 4	4X7-13440-01	C - 4	3KW-14486-00	B - 12	4TR-15415-00	C - 3	4H7-17537-00-30	C - 9	4TR-2171X-00	C - 12
4VR-11192-00	B - 4	4TR-13447-00	C - 4	4TR-14499-00	B - 10	4TR-15421-00	C - 3	4H7-17537-00-40	C - 9	5BN-21711-00-PA	D - 2
214-11198-01	C - 2	4TR-13474-00	B - 9	1FN-14565-00	B - 12	4VR-15423-00	C - 4	4VR-17553-00	C - 9	5BN-21711-00-33	D - 2
	D - 6	5BN-13542-00	B - 14	1HX-14565-00	B - 11	4TR-15424-00	C - 3	22U-17556-00	C - 9	3XV-21717-00	D - 11
4VR-11310-11	B - 4	5BN-13544-00	B - 14	1UY-14565-00	B - 12	22U-15441-01	B - 15	56W-17590-00	D - 6	4TR-21717-00	D - 2
4VR-11320-11	B - 4	16G-13569-00	B - 9	5BN-14603-00	B - 13	4VR-15451-00	C - 3	5BN-18110-00	C - 11	5BN-21721-00-PA	D - 2
4TR-1135A-00	B - 2	4TR-13575-00	B - 9	5BN-14604-00	B - 13	4VR-15461-00	C - 3	4TR-18112-00	C - 11	5BN-21721-00-33	D - 2
4VR-11351-00	B - 4	4MM-13582-00	B - 14	4BR-14613-00	B - 13	3BT-15484-00	C - 3	22N-18113-00	C - 11	5BN-21731-00	D - 2
4VR-11411-00	B - 5	4TR-13586-01	B - 9	4TR-14613-00	B - 13	22U-15512-00	C - 5	4NK-18113-00	C - 11	3SP-21732-00	C - 14
22U-11416-80	B - 15	4VR-13594-00	B - 10	4TR-14615-02	B - 13	4VR-15517-01	C - 5	5A8-18115-00	C - 11	4NK-21735-00	C - 14
22U-11416-90	B - 15	4TR-13596-01	B - 9	5BN-14620-00	B - 13	5H0-15521-00	C - 5	4TR-18120-00	C - 11	4VR-21741-00	D - 3
4VR-11603-00	B - 5	3LN-13907-00	D - 11	4VR-14703-03	B - 13	4TR-15590-00	C - 5	4G0-18127-00	C - 11	3BN-21747-00	C - 12
4VR-11605-00	B - 5	4DN-1410A-01	B - 11	4VR-14704-03	B - 13	4VR-16111-00	C - 6	4TR-18140-00	C - 11	4VR-2176E-00	E - 14
4VR-11607-00	B - 5	4TR-14103-00	B - 11	4BH-14714-00	B - 13	5BN-16150-00	C - 6	2H9-18154-00	C - 11	4TR-2177G-02	D - 2
4VR-11631-01-A0	B - 5	4TR-14105-00	B - 11	42H-14714-10	B - 14	22U-16154-00	C - 6	4H7-18185-00	C - 10	3LS-21781-10	D - 3



NUMERICAL INDEX

PARTNO.	GRID NO.	PARTNO.	GRID NO.	PARTNO.	GRID NO.	PARTNO.	GRID NO.	PARTNO.	GRID NO.	PARTNO.	GRID NO.
4VR-22110-01	D - 4	43F-23188-10	D - 8	5BN-2475Y-00	D - 12	5BN-26311-10	E - 3	22U-46153-00	D - 5	2AE-83312-00	E - 9
1J7-22141-00	D - 4		D - 9	5BN-24750-00	D - 12	5BN-26312-10	E - 3	4TR-46154-00	D - 6	42X-83312-00	E - 9
4KM-22141-00	D - 4	5BN-23193-00	D - 8	5BN-24751-00	D - 12	4TR-26331-00	D - 11	5BN-46171-00	D - 6	42X-83313-00	E - 9
1J7-22143-00	D - 4	5KS-23340-00	D - 9	5BN-25104-01	D - 13	1VJ-26333-00	D - 11	4X7-46180-00	D - 6	4NK-83321-00	C - 15
4VR-22184-00	D - 4	5BN-23389-00	D - 7	4TR-25111-00	D - 13	5BN-26335-02	E - 3	4TR-46297-00	D - 6		E - 9
4TR-22189-00	D - 4	5BN-23394-01	D - 9	341-25149-00	D - 13	1E6-26342-00	E - 3	84M-77555-00	D - 2	2EN-83330-00	E - 9
5BN-22210-60	D - 4	1W1-23416-00	D - 7	5KS-25181-00	D - 13	4NK-2635J-00	E - 3	4VR-81410-00	E - 8	4NK-83345-00	C - 15
5BN-23102-10	D - 8	26H-23418-01	D - 7	5KS-25188-00	D - 13	4TR-2637G-00	D - 11	4VR-81450-00	C - 5		E - 9
4VR-23441-00	D - 8	4VR-23441-00	D - 7	4TX-25190-10	D - 13	5BN-27211-00	E - 5	4TR-81517-00	B - 12	4VR-83350-00	F - 2
5BN-23110-00	D - 8	4VR-23442-00	D - 7	4VR-25304-02	D - 15	4TR-27212-00	E - 5	4TR-81670-00	E - 8	57M-83358-00	E - 9
3EN-23111-51	D - 8	3DM-23445-00	D - 7	3JB-25311-00-35	D - 15	4TR-27231-00	E - 5	4VR-81815-00	C - 5	42X-83363-00	E - 9
	D - 9	3FV-23462-00	D - 9	2GV-25315-00	D - 15	4NK-27242-00	E - 5	4XV-8182A-00	C - 5	55V-83371-00	F - 2
4TR-23118-00	D - 8	4TR-2413B-00	D - 11	2GV-25317-00	D - 15	4TR-27243-00	E - 5	3HE-81826-00	C - 5	4VR-8338V-00	F - 2
	D - 9	4TR-2413Y-00	D - 10	1J7-25319-02	D - 6	4TR-27247-00	E - 5	3KS-81840-00	C - 5	4TR-83513-00	E - 10
5BN-23121-00	D - 9	4TR-2414G-00	D - 11	4TR-25321-00	D - 15	4NK-27285-00	E - 5	11H-81844-00	C - 5	1Y-83517-00	E - 10
4NK-23122-01	E - 9	4VR-24161-01	D - 10	4H7-2533A-02	D - 15	4KU-27311-13	E - 6	1FK-81847-00	C - 5	2GV-83517-00	E - 10
4KM-23123-01	D - 9	4VR-24162-01	D - 10	4H7-25351-00	D - 15	5EL-27315-00	E - 6	3JB-81890-00	C - 5	4TR-83520-10	E - 10
5BN-23123-00	D - 9	4H7-24181-00	D - 10	214-25355-00	D - 15	5BN-27321-00	E - 6	4BH-81940-00	E - 14	4TR-83526-00	E - 10
4FM-23125-40	D - 8	4TR-24182-00	D - 10	4TR-25364-00	D - 15	5EL-27322-01	E - 6	1UY-81950-92	E - 14	4TR-83535-00	E - 10
5BN-23126-10	D - 8	4TR-24183-00	D - 10	4TR-25366-00	D - 15	5BN-27410-00	E - 6	5KP-81950-00	E - 14	5BN-83550-01	E - 10
5BN-23131-00	D - 9	4BP-24188-00	D - 10	4TR-25371-00	E - 2	5BN-27413-00	E - 6	5KP-81960-00	E - 14	1JK-83578-00	E - 10
5BN-23133-00	D - 9	5BN-24240-C0	D - 10	4TR-25381-00	E - 2	5BN-27420-00	E - 6	4TX-82100-01	E - 14	4TR-83580-40	E - 10
5BN-23136-10	D - 8	5BN-24240-P0	D - 10	5V4-25398-00	D - 13	5BN-27423-00	E - 6	4DH-82103-00	B - 11	4TR-83580-90	E - 10
5BN-23141-00	D - 8	4TR-24311-00	D - 11		E - 2	4NK-27426-00	E - 6	5BN-82115-00	E - 14	5FU-83790-00	B - 11
	D - 9	4TR-24313-00	D - 10	16G-25412-00	D - 15	4NK-27427-00	E - 6	5BN-82116-00	E - 14	5FU-83790-20	B - 11
4EB-23144-00	D - 8	4EB-24398-00	D - 11	4WM-2580U-00	D - 14	4TR-27430-10	E - 7	5Y1-82122-00	D - 2	5BN-83912-00	E - 13
	D - 9	4KM-24453-00	B - 12	4BH-25815-00	E - 4	120-27433-00	E - 7	5BN-82129-00	E - 14	36Y-83913-01	E - 13
4EB-23145-00	D - 8	4TR-24491-02	C - 12	5BN-2582U-00	D - 14	4TR-27440-10	E - 7	133-82131-00	E - 14	4TR-83913-00	E - 13
	D - 9	21V-24500-10	D - 10	5BN-25827-00	D - 14	4WM-27496-00	E - 6	36Y-82151-00	E - 14	5BN-83922-00	E - 13
36Y-23146-10	D - 8	4X8-24512-00	D - 10	341-25846-00	D - 13	4WM-27497-00	E - 6	42X-82151-00	E - 14	4TR-83945-00	E - 13
4DW-23149-40	D - 8	3AJ-24523-00	D - 10	4TR-25852-01	E - 4	4TR-28100-00	D - 3	5BN-82305-20	F - 2	5BN-83963-00	E - 13
	D - 9	3AJ-24534-00	D - 10	4BH-25854-02	E - 4	4VR-28356-01	C - 12	4VR-82310-00	F - 2	5BN-83972-00	E - 13
26H-23156-00	D - 8	1FK-24560-10	D - 10	4L0-25862-01	E - 4	4SV-28372-00	C - 12	4VR-82320-00	F - 2	36Y-83980-01	E - 13
	D - 9	1FK-24566-00	D - 10	4TR-25867-00	E - 4	4TR-46101-00	D - 5	1FK-82370-00	F - 2	290-84124-21	E - 11
509-23158-L0	D - 8	4TR-24602-10	D - 10	4TR-25870-01	E - 4	2H7-46102-00	D - 5	4TR-82370-00	F - 2	5BN-84154-00	E - 12
	D - 9	5BN-24710-01	D - 12	5BN-25872-00	E - 4	22U-46117-00-25	D - 5	4VR-82501-01	E - 14	2F9-84314-00	E - 11
5BN-23163-00	D - 9	5BN-24720-00	D - 12	5BN-25886-00	D - 7	22U-46117-00-30	D - 5	4TR-82509-00	F - 2	4NK-84315-00	E - 11
5BN-23165-00	D - 9	5BN-24723-00	D - 12	4TR-2589H-00	E - 4	22U-46117-00-40	D - 5	3HN-82530-11	E - 14	5KS-84320-00	E - 11
5BN-2317J-00	D - 7	35T-24724-00	D - 12	4TT-25914-00	D - 14	22U-46118-00-12	D - 5	1L9-82540-00	F - 2	2K3-84321-40	E - 11
5BN-2317V-00	E - 9	5BN-24724-00	D - 12	4BP-25919-00	D - 14	22U-46118-00-14	D - 5	5FU-82560-30	E - 14	5BN-84330-00	E - 11
5BN-2317W-30	C - 15	509-24724-00	D - 12	3YX-25929-00	D - 14	22U-46118-00-16	D - 5	3LD-82566-B0	E - 14	341-84331-60	E - 11
5BN-23170-00	D - 8	5BN-24736-00	D - 12	4TT-25937-00	D - 14	22U-46118-00-18	D - 5	5BN-82590-30	E - 14	5G2-84332-60	E - 11
5BN-23171-00	D - 8	5BN-24737-00	D - 12	5BN-26111-10	E - 3	22U-46118-00-20	D - 5	1UA-82591-00	D - 11	198-84334-60	E - 11
4YR-23173-00	D - 8	5BN-24741-00	D - 12	4NK-26240-00	E - 3	22U-46123-00	D - 6		E - 14	306-84346-30	E - 11
	D - 9	5BN-24747-00	D - 12	4NK-26241-00	E - 3	4H7-46125-00	D - 5	5BN-82911-00	E - 13	4E2-84347-00	E - 11
5BN-23174-00	D - 7	5BN-2475H-00	D - 12	4NK-2624J-00	E - 3	22U-46136-00	D - 5	3YX-82917-00	E - 13	42X-84366-00	E - 11
278-23181-50	D - 8	5BN-2475J-00	D - 12	5BN-26280-11	E - 3	22U-46137-00	D - 6	2EN-83310-00	E - 9	2F9-84375-00	E - 11
	D - 9	5BN-2475K-00	D - 12	5BN-26290-11	E - 3	22U-46152-00	D - 5	2AE-83311-00	E - 9	4NK-84394-00	E - 11

NUMERICAL INDEX

PARTNO.	GRID NO.	PARTNO.	GRID NO.	PARTNO.	GRID NO.	PARTNO.	GRID NO.	PARTNO.	GRID NO.	PARTNO.	GRID NO.
2F9-84395-00	E - 11	90110-08019	B - 2	90179-10658	C - 12	90240-06108	E - 5	90467-10038	D - 10	91314-06055	C - 3
2F9-84397-01	E - 11	90110-08212	C - 5	90179-12248	C - 12	90249-12008	E - 5	90467-10039	B - 9		C - 4
3SX-84397-00	E - 11	90116-08404	B - 15	90179-18396	C - 9	90269-05039	C - 15	90467-11032	D - 11	91314-06065	C - 3
4NK-84527-01	E - 12	90116-10405	B - 15	90179-25033	D - 7	90280-05048	B - 5	90467-11106	B - 9	91314-06070	C - 4
5BN-84553-00	E - 12	90116-10593	D - 5	90183-06023	D - 2	90280-07036	C - 6	90467-12053	D - 11	91314-08016	E - 9
5BN-84700-11	E - 12	90116-10611	B - 15	90183-06053	D - 2	90338-08163	D - 7	90467-14015	B - 2	91314-08020	D - 9
4NK-84702-00	E - 12	90119-06097	D - 2	90185-08097	B - 13	90338-08174	B - 9	90467-19065	B - 14	91314-08025	D - 7
5BN-84703-10	C - 15	90119-06118	B - 4	90185-14070	C - 9	90338-08226	F - 2	90468-08104	B - 14	91314-08030	D - 7
31L-84714-00	E - 12		D - 2	90201-05033	E - 10	90338-10132	B - 13	90480-01559	D - 2	91314-08035	B - 13
5BN-84717-00	E - 12	90119-06236	C - 12	90201-060A3	E - 11	90340-14132	C - 2	90480-10289	D - 2	91314-08040	D - 9
4YP-84721-00	E - 12	90119-08126	D - 5	90201-060S9	D - 10		D - 6	90480-12320	C - 13	91314-08060	B - 15
5BN-84735-00	E - 12	90123-08046	E - 13	90201-06043	C - 15	90340-14153	C - 3		D - 2	91314-08100	B - 15
5BN-84751-10	C - 15	90149-05299	D - 11	90201-06062	D - 2	90340-32140	C - 3	90480-13018	B - 3	91317-06012	C - 4
3Y6-85130-02	C - 15	90149-05321	C - 10	90201-062P7	B - 14	90380-28131	B - 7		B - 4		D - 12
4NK-85885-00	B - 12		F - 2		E - 5	90387-0600V	D - 2	90480-13398	B - 10	91317-06016	B - 10
90101-06534	E - 5	90149-06011	D - 10	90201-065G8	E - 12	90387-06043	B - 4	90480-15061	C - 14	91317-06020	B - 10
90101-06576	B - 13	90149-06131	E - 13	90201-08016	B - 11	90387-0610J	E - 11	90480-24186	D - 2		B - 9
90101-06764	D - 15	90149-06154	C - 15	90201-08609	B - 2	90387-07038	E - 12	90501-06022	C - 10	91317-06030	B - 8
90101-10303	B - 7	90149-06302	B - 4	90201-10118	E - 4	90387-1003G	E - 6	90501-10245	E - 5	91317-06045	B - 15
90101-12694	C - 12		D - 2	90201-10131	B - 2	90387-123X6	D - 4	90501-10312	E - 13	91317-06085	B - 4
90105-062A2	C - 12	90149-08002	E - 14	90201-10591	B - 7	90387-151R1	E - 2	90501-15722	D - 6	91317-06095	B - 15
90105-082A4	C - 12	90149-08067	C - 7	90201-107E9	C - 5	90387-1510D	D - 6	90501-23738	C - 6	91317-08080	B - 15
90105-082A5	E - 7	90149-08152	B - 15	90201-112U0	D - 4	90387-16547	B - 15	90501-60716	C - 9	91380-06045	B - 15
	F - 2	90151-08022	B - 15	90201-120E6	D - 4	90387-173M5	D - 13	90506-08227	C - 11	91401-20012	E - 5
90105-08307	C - 12	90152-05008	E - 6	90201-12575	C - 11	90387-173R6	D - 13	90506-20369	E - 5	91401-20015	E - 7
90105-084A1	C - 12	90157-02031	E - 10	90201-12588	C - 11	90387-17543	D - 4	90506-23490	E - 6	91701-06022	E - 5
90105-10012	E - 6	90157-05079	E - 14	90201-12688	C - 11	90387-2511R	C - 9	90506-29507	E - 6	91701-06032	E - 7
90105-10152	C - 5	90159-06016	C - 6	90201-14220	D - 7	90387-256G9	D - 5	90507-20002	D - 15	91815-16017	B - 15
90105-102A3	E - 6	90159-06200	B - 13	90201-14577	D - 15	90401-10159	E - 4	90508-16577	C - 6		C - 4
	E - 7	90170-06010	E - 13	90201-14633	C - 9	90401-16166	B - 3	90508-186B1	E - 5	92014-05016	B - 9
90105-10232	C - 12	90170-06128	B - 6	90201-152L7	E - 2	90430-08119	C - 6	90508-290B5	C - 11	92014-06035	C - 4
90105-10253	C - 12	90170-06228	C - 11	90201-18262	C - 6	90430-17168	B - 3	90508-32536	C - 11	92014-08035	C - 14
90105-10285	D - 6	90170-10219	D - 15	90201-20279	E - 7	90445-11587	B - 9	91314-06020	B - 13		C - 15
90105-10727	E - 6	90170-16256	C - 6	90201-220T0	D - 7	90445-16641	E - 6		B - 8	92014-08040	C - 14
90109-06468	E - 5	90170-20310	C - 6	90201-25290	C - 5	90460-53200	B - 9		D - 2		D - 7
90109-083G4	D - 14	90170-22187	D - 2	90202-05057	B - 14	90462-08070	C - 4	91314-06025	B - 7	92014-10025	C - 14
90109-085G1	E - 2	90176-08080	B - 2	90202-05193	D - 10	90462-10115	C - 4		B - 8	92017-06012	D - 10
90109-08781	B - 3	90176-10075	D - 6	90202-24190	D - 7	90464-05141	F - 2		C - 3	92017-06025	E - 11
90109-08782	B - 3	90176-12052	D - 7	90202-26142	D - 7	90464-05188	E - 15		C - 4	92017-08025	B - 13
90109-100G0	D - 14	90176-22081	D - 7	90206-12074	C - 11	90464-10190	F - 2		E - 4	92017-10020	B - 13
90109-10006	D - 4	90179-05523	D - 11	90206-14086	E - 5	90464-15192	D - 11	91314-06030	C - 3	92902-04100	E - 11
90109-125F1	D - 4	90179-06411	E - 5	90209-22191	C - 8		E - 3		C - 4	92904-06600	B - 3
90110-06010	C - 4	90179-08148	E - 13	90209-27192	C - 8	90464-18246	D - 7	91314-06035	B - 3	92907-04600	E - 13
90110-06011	B - 4	90179-08327	B - 5	90214-16026	C - 6	90464-20191	E - 15		C - 3	92907-05200	B - 14
90110-06074	E - 13	90179-08491	C - 14	90215-08229	B - 3	90464-20213	E - 15	91314-06040	C - 3	92907-05600	F - 2
90110-06200	D - 3		C - 15	90215-16157	C - 6	90464-23041	E - 15	91314-06045	C - 3	92907-06100	D - 12
90110-06249	E - 5	90179-08684	C - 12	90215-18178	C - 11	90464-25002	C - 15		C - 4		E - 5
90110-06254	D - 2	90179-10395	B - 2	90215-22210	C - 6	90467-08092	B - 14	91314-06055	B - 15	92907-06200	B - 13

NUMERICAL INDEX

PARTNO.	GRID NO.	PARTNO.	GRID NO.	PARTNO.	GRID NO.	PARTNO.	GRID NO.	PARTNO.	GRID NO.	PARTNO.	GRID NO.
92907-06200	C - 6	93306-30525	C - 8	95604-06100	E - 13	98507-06030	E - 8				
92907-06600	B - 10	93306-30539	D - 5	95604-08200	E - 2	98704-05012	E - 11				
	B - 3	93306-90602	C - 10	95604-14200	E - 2	98707-03020	E - 13				
	B - 7	93311-21044	D - 6	95607-05100	B - 14	98707-05035	C - 10				
	E - 8	93311-43729	D - 5	95607-06100	E - 13	99001-06600	E - 6				
92990-06600	B - 13	93315-21813	C - 6	95607-10200	E - 6	99001-10600	C - 11				
	C - 5	93316-01301	D - 5	95607-12100	D - 4	99009-11400	B - 8				
92990-10600	D - 6	93332-00010	D - 4	95607-12200	D - 4	99009-12400	C - 11				
93101-14089	C - 3	93399-99931	D - 7	95617-08630	B - 2	99009-18400	D - 6				
93101-30084	D - 5	93399-99932	D - 9	95704-06500	E - 9	99009-19400	E - 5				
93101-35097	C - 9	93410-22039	D - 6	95707-05500	C - 15	99009-25500	C - 3				
93101-38098	D - 5	93440-12052	B - 2	95707-08500	D - 7	99247-00080	C - 14				
93102-12106	C - 11	93440-20088	D - 6	95707-10500	B - 2	99530-10114	C - 3				
93102-18278	C - 6	93440-25084	C - 8	95804-06020	E - 14	99530-10120	C - 3				
93102-25017	D - 4	93440-30077	C - 8	95807-06010	C - 14	99530-14016	B - 15				
93102-28022	D - 13	93450-22027	B - 5	95807-06012	C - 13	99530-17016	B - 2				
93102-65277	D - 6	93515-32029	C - 7	95807-06014	C - 12						
93105-45017	D - 13	93604-16092	C - 10	95814-08020	C - 14						
93109-12075	C - 3	93604-20156	C - 10	95814-10100	C - 12						
93109-18020	D - 4	93605-10108	B - 7	95817-08014	C - 12						
93210-09525	C - 6	94113-1613E	D - 13	95817-08016	C - 14						
93210-10096	B - 8	94113-1613N	D - 13		D - 10						
93210-14369	C - 3	94117-15009	D - 15	95817-10025	C - 12						
93210-15151	B - 8	94117-1513P	D - 15	95827-08035	C - 9						
93210-15566	C - 4	94213-16305	D - 13	97004-06020	E - 13						
93210-18322	B - 15	94213-16306	D - 13	97007-06016	D - 12						
93210-27370	C - 3	94217-15298	D - 15	97007-06025	D - 12						
93210-29196	F - 2	94217-15299	D - 15	97024-06016	B - 3						
93210-32172	C - 3	94313-16175	D - 13	97024-06020	C - 11						
93210-36769	B - 9	94317-15172	D - 15	97027-06016	B - 3						
93210-48530	D - 15	94317-15173	D - 15		B - 7						
93210-60426	D - 5	94330-16176	D - 13	97070-06025	C - 5						
93210-61750	D - 15	94430-16565	D - 13	97707-40106	B - 10						
93210-62446	B - 3	94435-15586	D - 15	97707-40516	E - 12						
93210-64297	C - 4	94591-41118	B - 7	97707-50125	B - 9						
93210-71360	C - 9	94701-00262	B - 3	97707-60020	F - 2						
93210-74316	C - 3	95024-06012	C - 15	97707-60114	B - 14						
93210-84724	B - 4	95024-06030	E - 9	97707-60120	B - 14						
93210-89568	B - 2	95024-08012	D - 12	97780-40525	E - 12						
93211-00612	B - 2	95027-06008	E - 14	97801-03008	D - 10						
93211-39569	D - 5	95027-06010	C - 15	98502-04008	E - 11						
93306-00401	C - 8		D - 7	98504-05025	E - 13						
	C - 9	95304-06700	C - 11	98507-04008	B - 12						
93306-00428	C - 8	95304-08700	E - 3	98507-04014	B - 12						
93306-20711	C - 9	95307-05700	E - 10	98507-04016	E - 13						
93306-30212	D - 15	95307-06600	C - 6	98507-05008	E - 3						
93306-30213	D - 15		E - 12	98507-05020	F - 2						
93306-30317	D - 13	95307-06700	E - 5	98507-06020	E - 8						