

**PARTS
CATALOGUE
CATALOGO
DE REPUESTOS**

F100CET'02(60D2)

2A60D-200S1

YAMAHA
GENUINE
Parts & Accessories

A1

FOREWORD

This Parts Catalogue is related to the parts for the model(s) in the below frame. When you are ordering replacement parts, please refer to this Parts Catalogue and quote both part numbers and part names correctly.

F100CET'02(60D2)

1. Modifications or additions which have been made after issue of the Parts Catalogue will be announced in the Yamaha Parts News.
It is advisable that you make necessary corrections to the Parts Catalogue according to the Yamaha Parts News.

2. Abbreviations

The Following abbreviations are used in this Parts Catalogue.

“UR” Use specified parts number.

“UN” Use as many as needed.

“AP” Alternate Parts

“LM” Local Made

(Parts need to be ordered locally)

“O/S” Over Size

3. Parts, which are to be supplied in an assembly, are listed with a dot(.) in front of the part name as shown below.

EXAMPLE

CARBURETOR ASSY

.JET, PILOT

.NOZZLE, MAIN

4. Number of component for assembly

The numeral appearing to the right of each component part indicates the quantity of parts for each assembly unit.

EXAMPLE

PART NO.	DESCRIPTION	□	田	田	田	REMARKS
6E0-85500-70	C.D.I. MAGNETO ASSY	1				
6E0-85550-70	.ROTOR ASSY	1				
6E0-15723-00-94..	PULLY, STARTER	1				

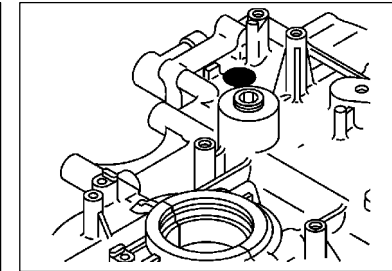
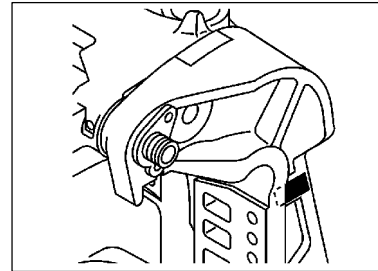
5. Quantity Column Information

NAME for Q'TY COLUMN	APPLICABLE MODEL
60D2	F100CET

6. Applicable Starting Serial No. and Color Code

1) Engine Starting Sserial No.

F100CET	60D	L : 000112
F100CET	60D	X : 200103



2) Color Code

Color Code	Color Name	Abbreviation
004D	DARK BLUISH GRAY METALLIC 2	DBNM2

7. Note that the illustrations for reference in finding parts numbers, not to be used for assembling. When assembling, please use the applicable service manual.

8. The asterisk (*) before a reference number indicates modification items after the first edition.

CONTENTS

SHEET 1/2

TOP COWLING	A4
CYLINDER. CRANKCASE 1	A5
CRANKSHAFT. PISTON	A7
CYLINDER. CRANKCASE 2	B1
VALVE	B3
INTAKE	B6
CARBURETOR 1	B7
CARBURETOR 2	C2
FUEL	C3
GENERATOR	C5
ELECTRICAL 1	C6
ELECTRICAL 2	D1
ELECTRICAL 3	D3
ELECTRICAL 4	D5
STARTING MOTOR	D6
BOTTOM COWLING	E1
STEERING 1	E3
STEERING 2	E6
STEERING FRICTION	F1
CONTROL	F2
BRACKET 1	F4
BRACKET 2	F6

INDEX

NUMERICAL INDEX	G1
-----------------------	----

SHEET 2/2

OPTIONAL PARTS	A4*
POWER TRIM & TILT ASSY 1	A5*
POWER TRIM & TILT ASSY 2	B2*
UPPER CASING	B3*
OIL PAN	B5*
LOWER CASING. DRIVE 1	B6*
LOWER CASING. DRIVE 2	C3*
FUEL TANK	C5*
STEERING GUIDE	C6*
REMOTE CONTROL BOX	C7*
REMOTE CONTROL ASSY	D1*
METER	D4*
REPAIR KIT 1	D5*
REPAIR KIT 2	D6*
REPAIR KIT 3	D7*

INDEX

NUMERICAL INDEX	G1*
-----------------------	-----

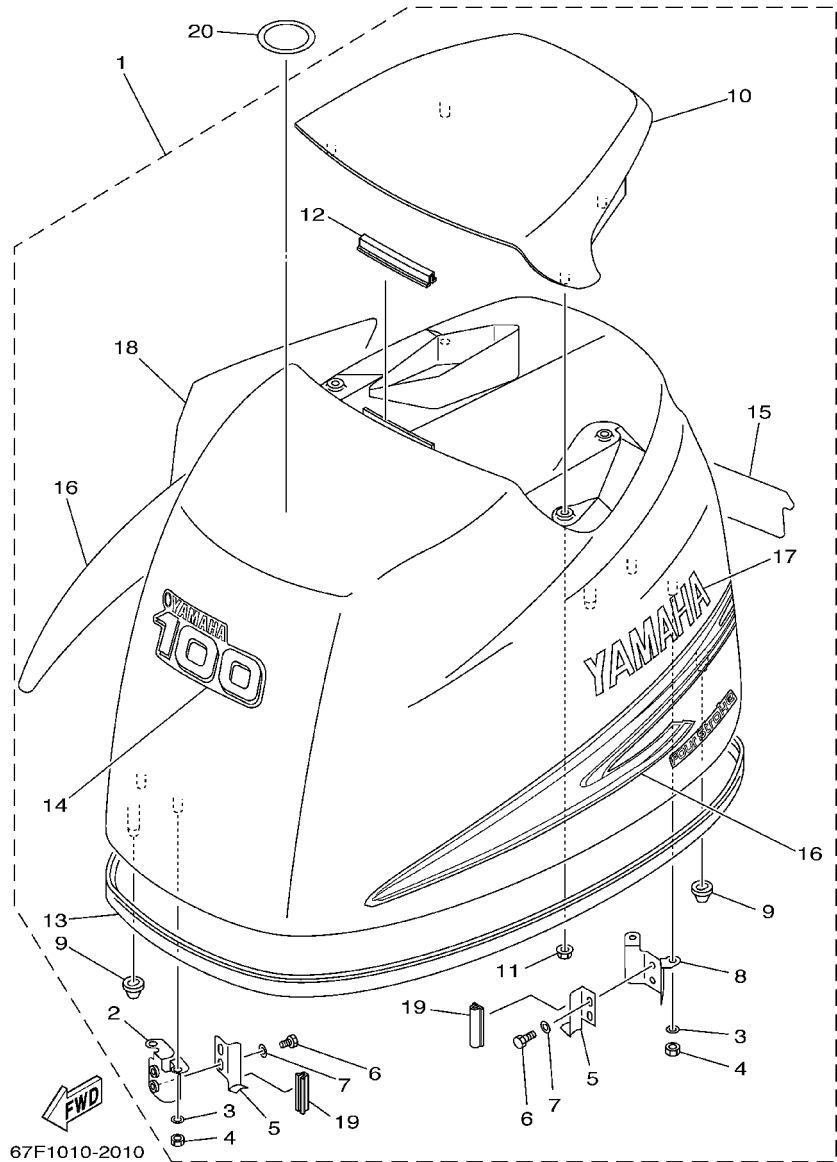


FIG. 1 TOP COWLING

SOPORTE SUPERIOR

REF. NO.	PART NO. CODIGO NO.	DESCRIPTION DESCRIPTION	60D2	REMARKS OBSERVACION
1	67F-42610-10-4D	TOP COWLING ASSY SOPORTE SUPERIOR COMPL.	1	
2	67F-42647-00	.HOLDER, CLAMP BAND .MORDAZA DE ABRAZADERA	1	
3	92990-06100	.WASHER, SPRING .ARANDELA	4	
4	95380-06600	.NUT, HEXAGON .TUERCA	4	
5	67F-42652-00	.HOOK .GANCHO	2	
6	97095-06012	.BOLT .PERNO	4	
7	92995-06600	.WASHER .ARANDELA	4	
8	67F-42649-00	.HOLDER, CLAMP BAND .MORDAZA DE ABRAZADERA	1	
9	67F-42662-00	.DAMPER .AMORTIGUADOR	3	
10	67F-42613-00-4D	.MOLDING, AIR DUCT .MOLDURA CONDUCTO AIRE	1	
11	90179-06M24	.NUT .TUERCA	4	
12	61N-42628-00	.SEAL .SELLO DE GOMA	1	
13	67F-42615-00	.SEAL .SELLO	1	
14	67F-42677-10	.GRAPHIC, FRONT .CALCAMONIA FRONTAL	1	
15	67F-42678-10	.GRAPHIC, REAR .CALCAMONIA TRASERA	1	
16	67F-W0070-10	.GRAPHIC SET .JUEGO DE EMBLEMA	1	
17	67F-42681-10	.MARK, COWLING .MARCA DE CUBIERTA	1	
18	67F-42682-10	.MARK, COWLING .MARCA DE CUBIERTA	1	
19	67F-42628-00	.SEAL .SELLO DE GOMA	2	
20	67F-13434-02	LABEL, CAUTION ETIQUETA DE PRECAUCION	1	

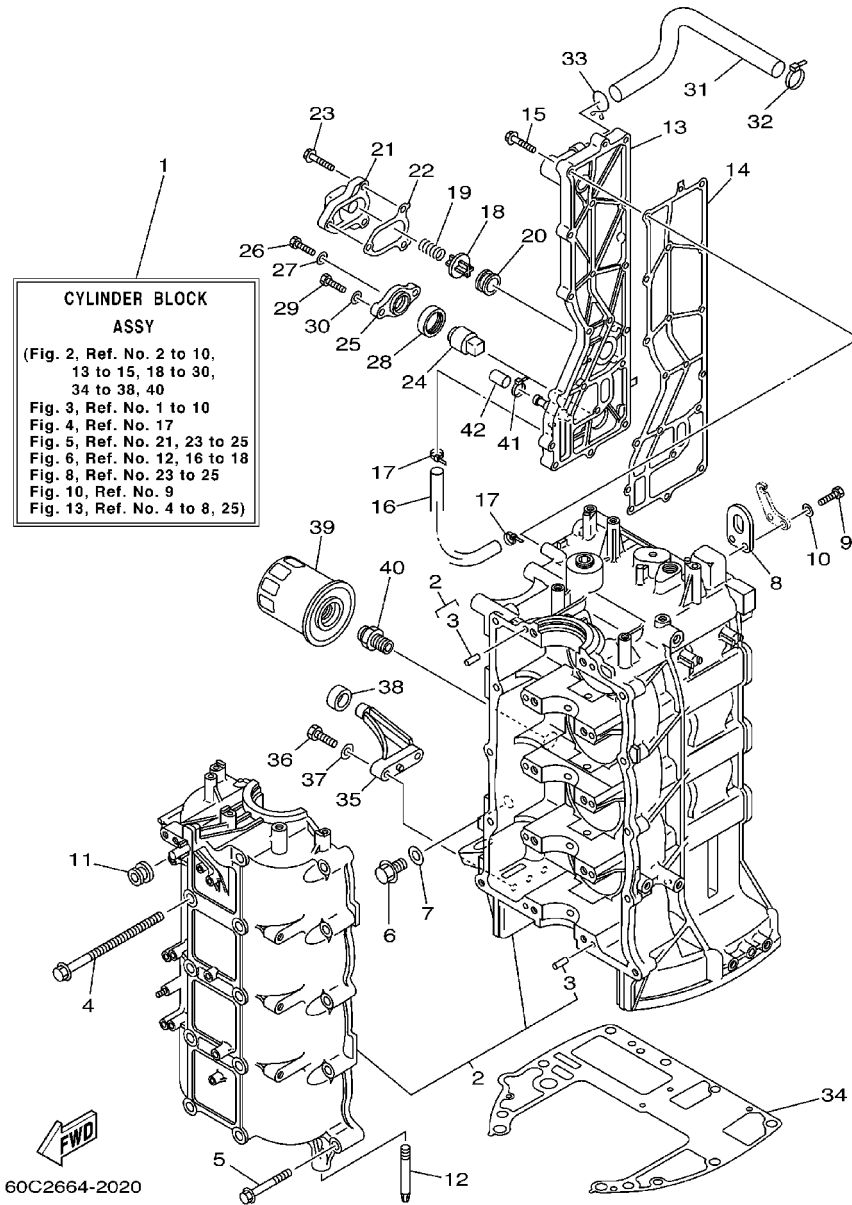


FIG. 2 CYLINDER. CRANKCASE 1 CYLINDRO. CARTER 1

REF. NO.	PART NO. CODIGO NO.	DESCRIPTION DESCRIPTION	60D2			REMARKS OBSERVACION
1	60C-W009B-00-1S	CYLINDER BLOCK ASSY CYLINDRO BLOQUE COMPLETO	1			
2	67F-15100-02-1S	CRANKCASE ASSY CARTER COMPLETO	1			
3	93606-12019	.PIN, DOWEL .PASADOR DE CLAVIJA	10			
4	90119-10M88	BOLT, WITH WASHER TORNILLO CON ARANDELA	10			
5	90119-08M66	BOLT, WITH WASHER TORNILLO CON ARANDELA	10			
6	90340-14M06	PLUG, STRAIGHT SCREW TORNILLO, DE DRENAJE	1			
7	90430-14115	GASKET JUNTA	1			
8	62Y-11119-00	HANGER, ENGINE SOPORTE DEL MOTOR	2			
9	97095-06020	BOLT PERNO	4			
10	92995-06600	WASHER ARANDELA	4			
11	90480-12072	GROMMET TAPON	1			
12	67F-15142-00	GUIDE 1 GUIA 1.	2			
13	67F-41113-01-1S	OUTER COVER, EXHAUST CUBOERTA EXTERIOR DE ESCAPE	1			
14	67F-41114-A0	GASKET, EXHAUST OUTER COVER EMPAQUE	1			
15	90119-06MA4	BOLT, WITH WASHER TORNILLO CON ARANDELA	18			
16	90445-10M40	HOSE (L330) TUBO (L330)	1			
17	90465-11M10	CLAMP BRIDA	2			
18	6G5-12416-00	VALVE, PRESSURE CONTROL VALVULA DE CONTROL DE PRESION	1			
19	90501-16M11	SPRING, COMPRESSION RESORTE DE COMPRESION	1			
20	90480-20M05	GROMMET TAPON	1			
21	67F-1246A-00-1S	COVER 1 CUBIERTA 1	1			
22	67F-12435-A0	GASKET EMPAQUE	1			
23	90119-06MA2	BOLT, WITH WASHER TORNILLO CON ARANDELA	3			
24	67F-11325-00	ANODE ANODO	1			
25	67F-11327-00-94	COVER, ANODE CUBIERTA	1			
26	97075-06020	BOLT PERNO	1			
27	92995-06600	WASHER ARANDELA	1			

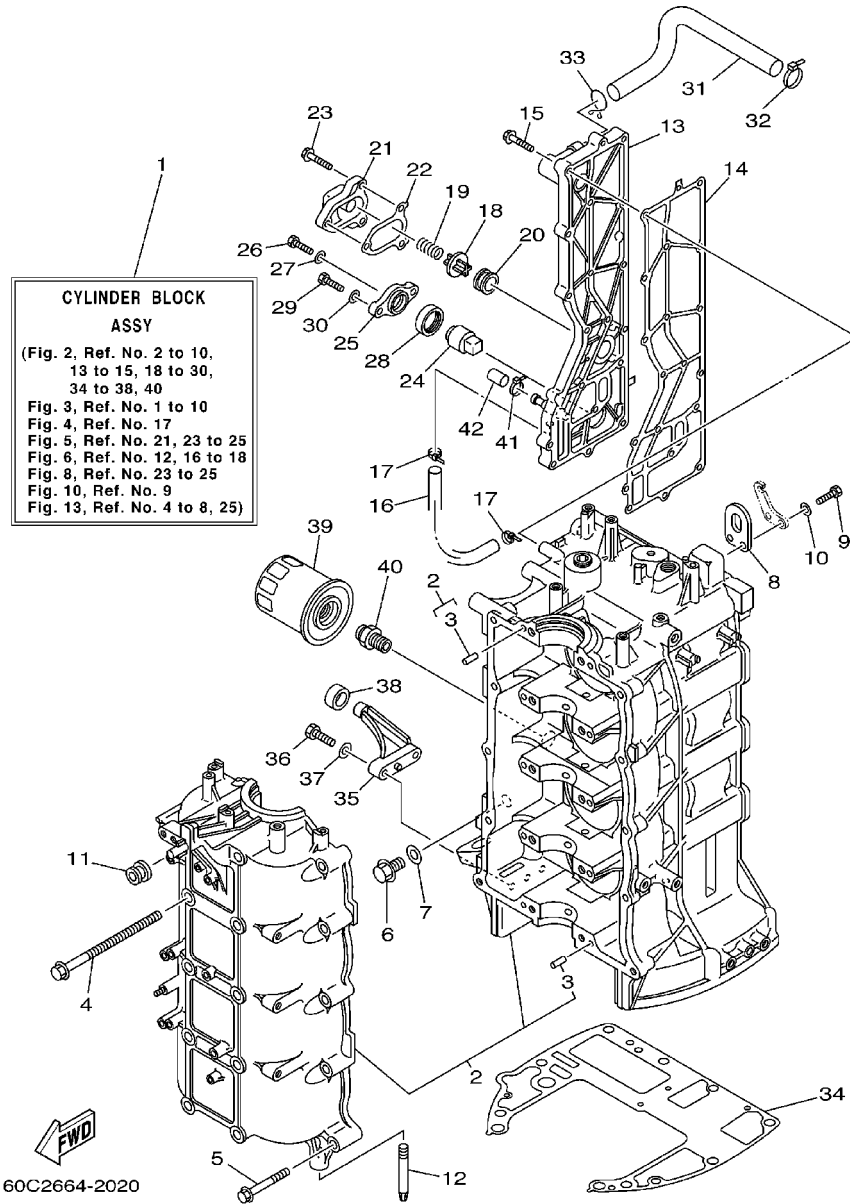
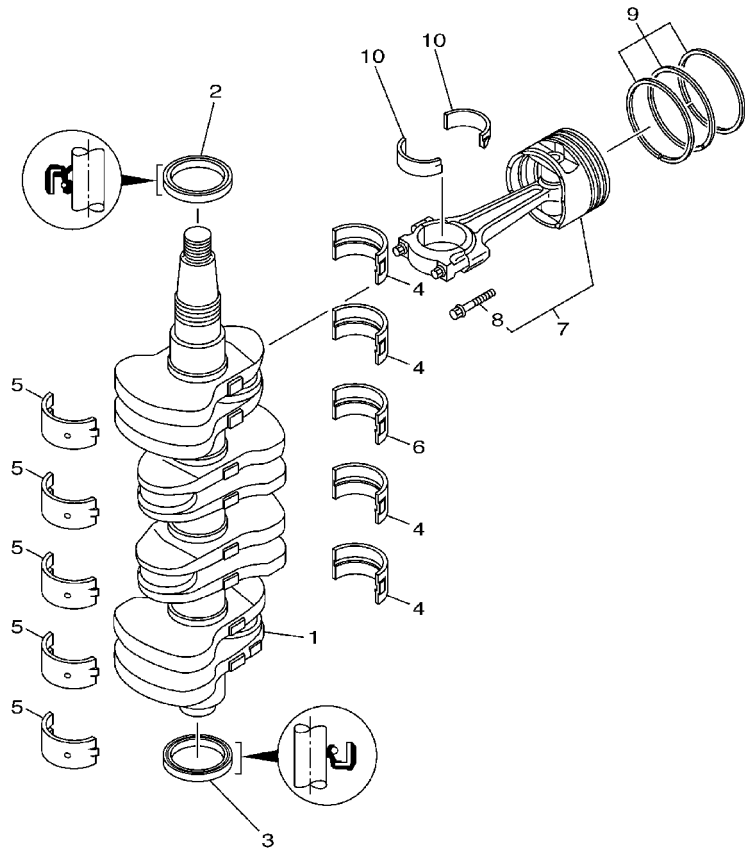


FIG. 2 CYLINDER. CRANKCASE 1 CYLINDRO. CARTER 1

REF. NO.	PART NO. CODIGO NO.	DESCRIPTION DESCRIPTION	60D2			REMARKS OBSERVACION
28	67F-11328-00	GROMMET, ANODE TAPON	1			
29	97075-08025	BOLT PERNO	2			
30	92995-08600	WASHER ARANDELA	2			
31	67F-1243A-00	HOSE 1 TUBO 1	1			
32	90465-11M10	CLAMP BRIDA	1			
33	90467-20M15	CLIP PRESILLA	1			
34	67F-11351-01	GASKET, CYLINDER JUNTA, DE CILINDRO	1			
35	67F-42761-00-94	STOPPER RETEN 1	2			
36	97095-06025	BOLT PERNO	4			
37	92995-06600	WASHER ARANDELA	4			
38	68F-44533-00	DAMPER, UPPER MOUNT RUBBER AMORTIGUADOR SUPERIOR	2			
39	5GH-13440-00	ELEMENT ASSY, OIL CLEANER ELEMENTO FILTRO DE ACEITE	1			
40	90401-20145	BOLT, UNION PERNO DE UNION	1			
41	90465-11M10	CLAMP BRIDA	1			
42	67F-13448-00	CAP TAPA	1			

FIG. 3 CRANKSHAFT. PISTON

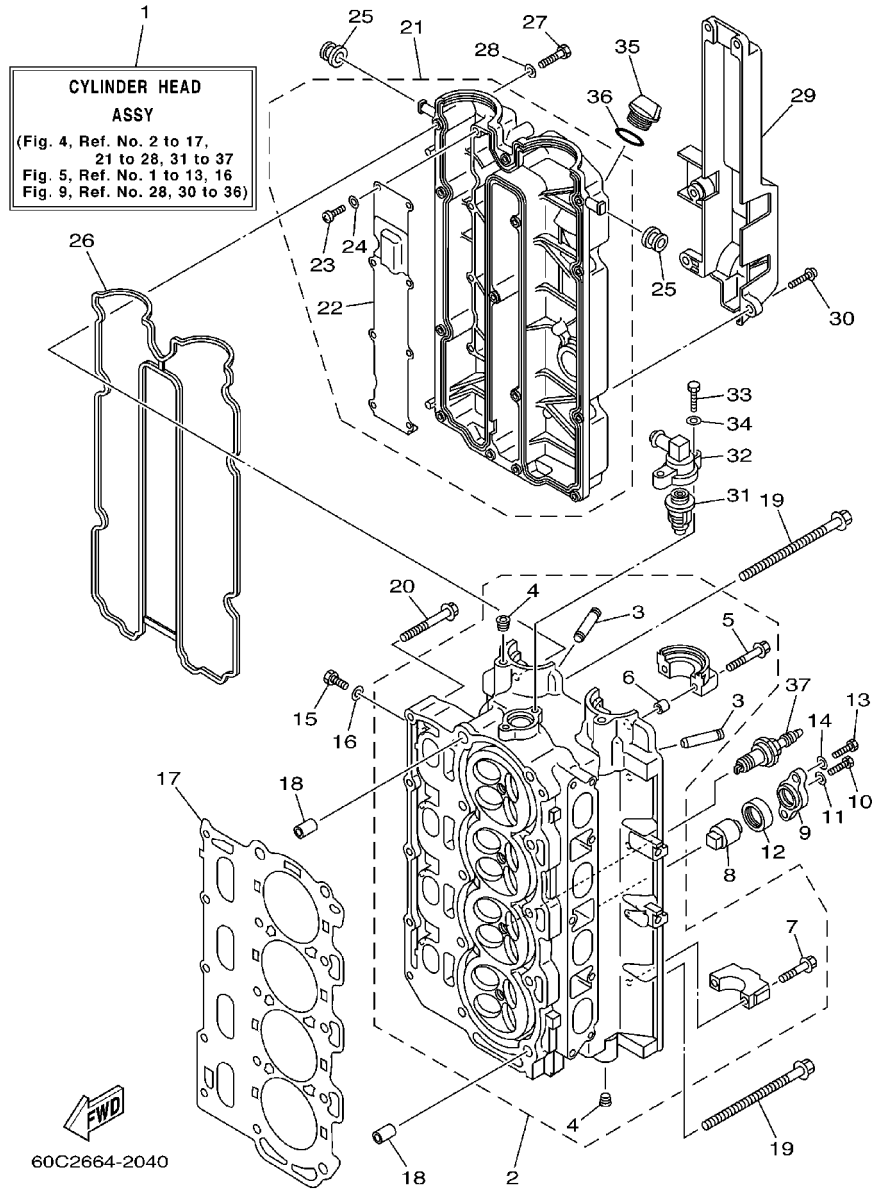
CIGUENAL. PISTON



REF. NO.	PART NO. CODIGO NO.	DESCRIPTION DESCRIPTION	60D2			REMARKS OBSERVACION
1	67F-11411-00	CRANKSHAFT CIGUENAL	1			
2	93102-48008	OIL SEAL SELLO ACEITE	1			
3	93101-48001	OIL SEAL SELLO ACEITE	1			
4	67F-11416-00	PLANE BEARING, CRANKSHAFT 1 COJINETE PLANO 1	4			UR GREEN
	67F-11416-10	PLANE BEARING, CRANKSHAFT 1 COJINETE PLANO 1	4			UR BLUE
	67F-11416-20	PLANE BEARING, CRANKSHAFT 1 COJINETE PLANO 1	4			UR RED
5	67F-11417-00	PLANE BEARING, CRANKSHAFT 2 COJINETE PLANO 2	5			UR YELLOW
	67F-11417-10	PLANE BEARING, CRANKSHAFT 2 COJINETE PLANO 2	5			UR GREEN
	67F-11417-20	PLANE BEARING, CRANKSHAFT 2 COJINETE PLANO 2	5			UR BLUE
	67F-11417-30	PLANE BEARING, CRANKSHAFT 2 COJINETE PLANO 2	5			UR RED
6	67F-11418-00	PLANE BEARING, CRANKSHAFT 3 COJINETE PLANO 3	1			UR GREEN
	67F-11418-10	PLANE BEARING, CRANKSHAFT 3 COJINETE PLANO 3	1			UR BLUE
	67F-11418-20	PLANE BEARING, CRANKSHAFT 3 COJINETE PLANO 3	1			UR RED
7	60C-W1164-00	PISTON/CONNECTING ROD ASSY(STD) PISTON/BIELA COMPLETA (STD)	4			
	60C-W1164-10	PISTON/CONNECTING ROD ASSY(0.25MM) PISTON/BIELA COMPLETA (0.25MM O/S)	4			AP
8	67F-11654-00	BOLT, CONNECTING ROD .TORNILLO DE BIELA	2			
9	60C-11603-00	PISTON RING SET (STD) JUEGO DE ANILLOS (STD)	4			
	60C-11604-00	PISTON RING SET (0.25MM O/S) JUEGO DE ANILLOS (0.25MM O/S)	4			AP
10	67F-11656-00	PLANE BEARING, CONNECTING ROD COJINETE PLANO	8			UR YELLOW
	67F-11656-10	PLANE BEARING, CONNECTING ROD COJINETE PLANO	8			UR GREEN
	67F-11656-20	PLANE BEARING, CONNECTING ROD COJINETE PLANO	8			UR BLUE
	67F-11656-30	PLANE BEARING, CONNECTING ROD COJINETE PLANO	8			UR RED

FWD
60C1200-1031

FIG. 4 CYLINDER. CRANKCASE 2 CYLINDRO. CARTER 2

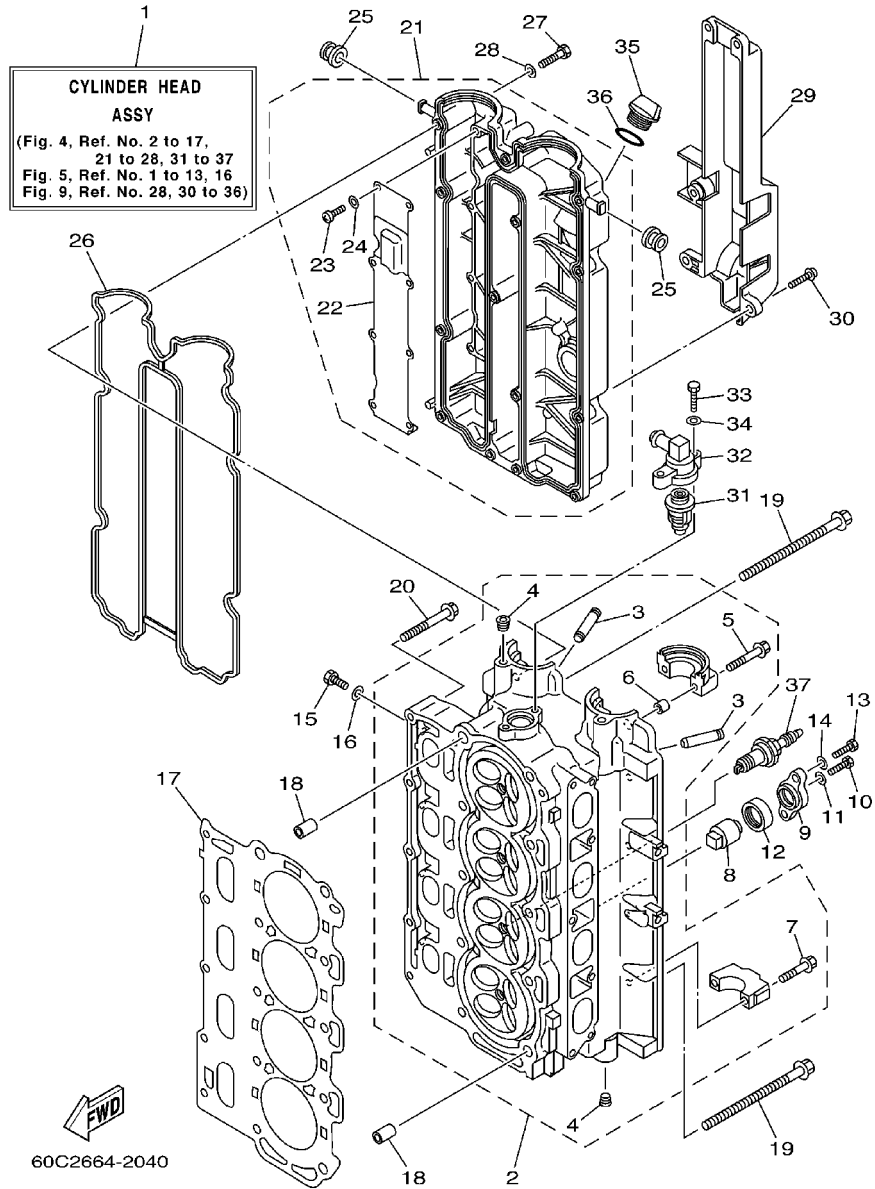


60C2664-2040

REF. NO.	PART NO. CODIGO NO.	DESCRIPTION DESCRIPTION	60D2	REMARKS OBSERVACION
1	60C-W009A-00-1S	CYLINDER HEAD ASSY CILINDRO CULATA COMPLETO	1	
2	67F-11110-10-94	CYLINDER HEAD ASSY CULATA DE CILINDRO COMPLETA	1	
3	67F-11133-10	.GUIDE, INTAKE VALVE .GUIA VALV.DE ADM.	16	
4	90344-51019	.PLUG, TAPER SCREW .TAPON DE TORNILLO AHUSADO	4	
5	90119-07235	.BOLT, WITH WASHER .TORNILLO CON ARANDELA	4	
6	91809-08006	.PIN, DOWEL .PASADOR DE CLAVIJA	4	
7	90119-07234	.BOLT, WITH WASHER .TORNILLO CON ARANDELA	16	
8	67F-11325-00	ANODE ANODO	2	
9	67F-11327-00-94	COVER, ANODE CUBIERTA	2	
10	97075-06020	BOLT PERNO	2	
11	92995-06600	WASHER ARANDELA	2	
12	67F-11328-00	GROMMET, ANODE TAPON	2	
13	97075-08025	BOLT PERNO	4	
14	92995-08600	WASHER ARANDELA	4	
15	97095-08014	BOLT PERNO	4	
16	90430-08143	GASKET JUNTA	4	
17	67F-11181-01	GASKET, CYLINDER HEAD 1 JUNTA, DE CULATA 1	1	
18	90387-10M08	COLLAR COLLAR	2	
19	90105-10M89	BOLT, FLANGE TORNILLO	10	
20	90119-08M91	BOLT, WITH WASHER TORNILLO CON ARANDELA	5	
21	68V-11191-00-1S	COVER, CYLINDER HEAD 1 TAPA CULATA DE CILINDRO 1	1	
22	67F-11168-00	.COVER, BREATHER .CUBIERTA RESPIRADERO	1	
23	98507-04008	.SCREW, PAN HEAD .TORNILLO DE CABEZA CON PLANA	8	
24	92907-04600	.WASHER .ARANDELA	8	
25	90480-12072	GROMMET TAPON	2	
26	67F-11356-00	SEAL, CYLINDER 2 RETEN ACEITE CILINDRO 2	1	
27	97095-06030	BOLT PERNO	14	

B1

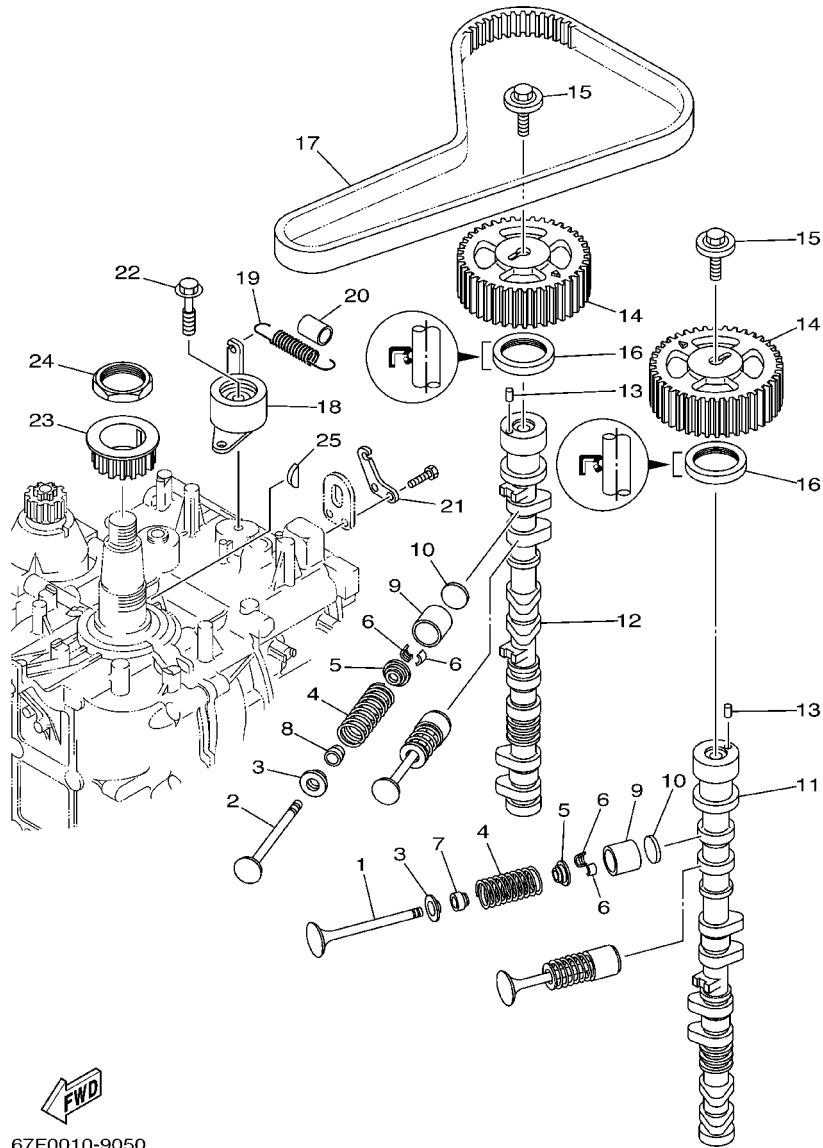
FIG. 4 CYLINDER. CRANKCASE 2 CILINDRO. CARTER 2



REF. NO.	PART NO. CODIGO NO.	DESCRIPTION DESCRIPTION	60D2	REMARKS OBSERVACION
28	92995-06600	WASHER ARANDELA	14	
29	67F-11192-00	COVER, CYLINDER HEAD 2 TAPA CULATA DE CILINDRO 2	1	
30	90159-06M29	SCREW, WITH WASHER TORNILLO CON VALONA	5	
31	68V-12411-00	THERMOSTAT TERMOSTAT	1	
32	68V-12413-00-1S	COVER, THERMOSTAT CUBIERTA TERMOSTATO	1	
33	97095-06025	BOLT PERNO	2	
34	92995-06600	WASHER ARANDELA	2	
35	6G8-15363-00	PLUG, OIL TAPON DE ACEITE	1	
36	93210-24M79	O-RING ANILLO O	1	
37	94702-00391	PLUG, SPARK (NGK LFR5A-11) BUJIA (NGK LFR5A-11)	4	

FIG. 5 VALVE

VALVULA



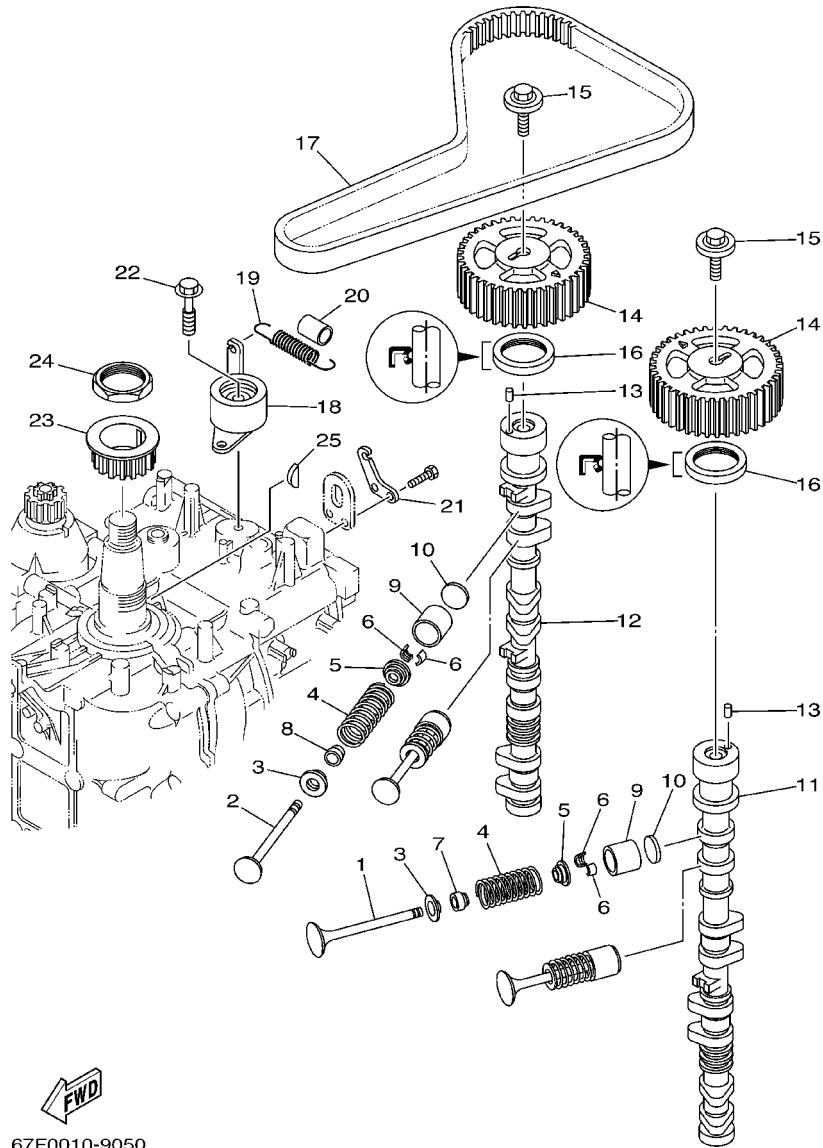
REF. NO.	PART NO. CODIGO NO.	DESCRIPTION DESCRIPTION	60D2	REMARKS OBSERVACION
1	68V-12111-00	VALVE, INTAKE VALVULA DE ADMISION	8	
2	68V-12121-00	VALVE, EXHAUST VALVULA DE ESCAPE	8	
3	67F-12116-00	SEAT, VALVE SPRING ASIENTO RESORTE DE VALVULA	16	
4	67F-12114-00	SPRING, VALVE OUTER RESORTE VALVULA EXTERIOR	16	
5	67F-12117-00	RETAINER, VALVE SPRING RETEN RESORTE DE VALVULA	16	
6	67F-12118-00	COTTER, VALVE SEGURO DE VALVULA	32	
7	K0A-A3721-00	SEAL, VALVE STEM SELLO DE ACEITE VALVULA	8	
8	K0A-A3722-00	SEAL, VALVE STEM 2 SELLO DE ACEITE VALVULA 2	8	
9	67F-12153-00	LIFTER, VALVE LEVANTADOR DE VALVULA	16	
10	67F-12168-00	PAD, ADJUSTING (2.000) COJIN, AJUSTADOR (2.000)	16	UR
	67F-12168-10	PAD, ADJUSTING (2.025) COJIN, AJUSTADOR (2.025)	16	UR
	67F-12168-20	PAD, ADJUSTING (2.050) COJIN, AJUSTADOR (2.050)	16	UR
	67F-12168-30	PAD, ADJUSTING (2.075) COJIN, AJUSTADOR (2.075)	16	UR
	67F-12168-40	PAD, ADJUSTING (2.100) COJIN, AJUSTADOR (2.100)	16	UR
	67F-12168-50	PAD, ADJUSTING (2.125) COJIN, AJUSTADOR (2.125)	16	UR
	67F-12168-60	PAD, ADJUSTING (2.150) COJIN, AJUSTADOR (2.150)	16	UR
	67F-12168-70	PAD, ADJUSTING (2.175) COJIN, AJUSTADOR (2.175)	16	UR
	67F-12168-80	PAD, ADJUSTING (2.200) COJIN, AJUSTADOR (2.200)	16	UR
	67F-12168-A0	PAD, ADJUSTING (2.225) COJIN, AJUSTADOR (2.225)	16	UR
	67F-12168-B0	PAD, ADJUSTING (2.250) COJIN, AJUSTADOR (2.250)	16	UR
	67F-12168-C0	PAD, ADJUSTING (2.275) COJIN, AJUSTADOR (2.275)	16	UR
	67F-12168-D0	PAD, ADJUSTING (2.300) COJIN, AJUSTADOR (2.300)	16	UR
	67F-12168-E0	PAD, ADJUSTING (2.325) COJIN, AJUSTADOR (2.325)	16	UR
	67F-12168-F0	PAD, ADJUSTING (2.350) COJIN, AJUSTADOR (2.350)	16	UR
	67F-12168-G0	PAD, ADJUSTING (2.375) COJIN, AJUSTADOR (2.375)	16	UR
	67F-12168-H0	PAD, ADJUSTING (2.400) COJIN, AJUSTADOR (2.400)	16	UR
	67F-12168-J0	PAD, ADJUSTING (2.425) COJIN, AJUSTADOR (2.425)	16	UR



67F0010-9050

FIG. 5 VALVE

VALVULA



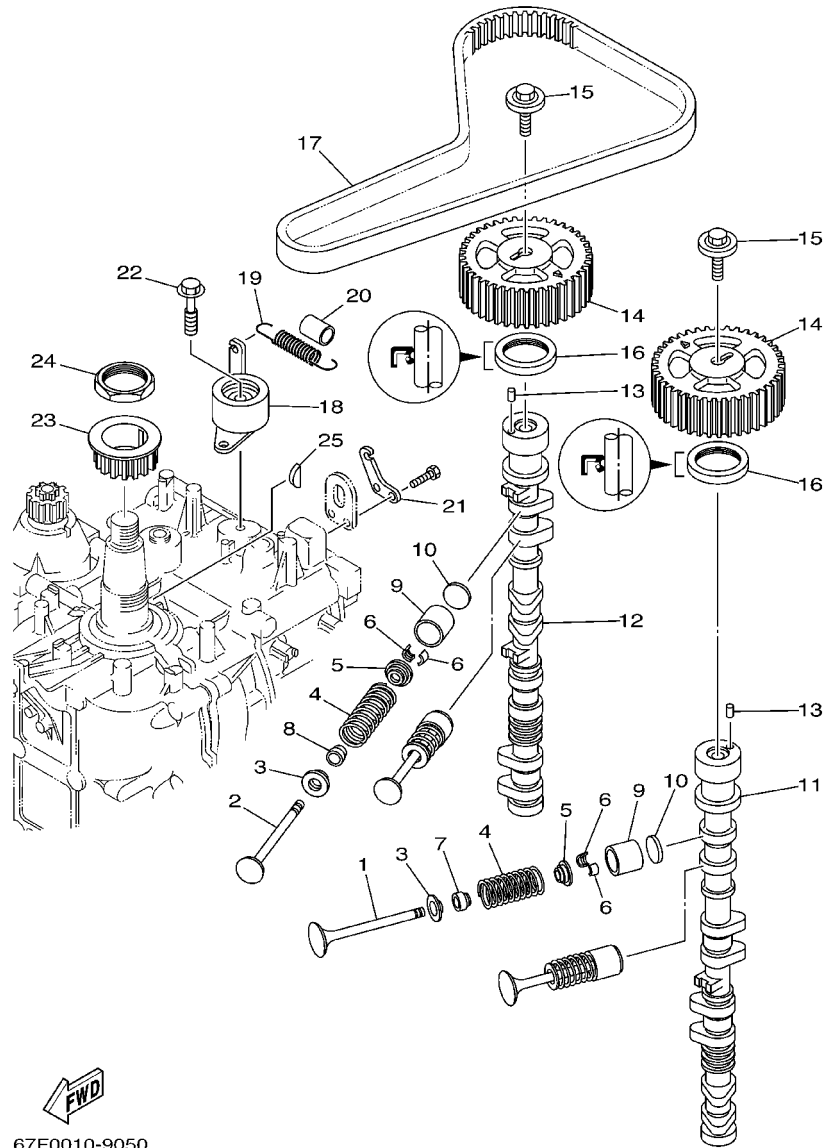
REF. NO.	PART NO. CODIGO NO.	DESCRIPTION DESCRIPTION	60D2	REMARKS OBSERVACION
10	67F-12168-K0	PAD, ADJUSTING (2.450) COJIN, AJUSTADOR (2.450)	16	UR
	67F-12168-L0	PAD, ADJUSTING (2.475) COJIN, AJUSTADOR (2.475)	16	UR
	67F-12168-M0	PAD, ADJUSTING (2.500) COJIN, AJUSTADOR (2.500)	16	UR
	67F-12168-N0	PAD, ADJUSTING (2.525) COJIN, AJUSTADOR (2.525)	16	UR
	67F-12168-P0	PAD, ADJUSTING (2.550) COJIN, AJUSTADOR (2.550)	16	UR
	67F-12168-R0	PAD, ADJUSTING (2.575) COJIN, AJUSTADOR (2.575)	16	UR
	67F-12168-S0	PAD, ADJUSTING (2.600) COJIN, AJUSTADOR (2.600)	16	UR
	67F-12168-T0	PAD, ADJUSTING (2.625) COJIN, AJUSTADOR (2.625)	16	UR
	67F-12168-U0	PAD, ADJUSTING (2.650) COJIN, AJUSTADOR (2.650)	16	UR
	67F-12168-V0	PAD, ADJUSTING (2.675) COJIN, AJUSTADOR (2.675)	16	UR
	67F-12168-W0	PAD, ADJUSTING (2.700) COJIN, AJUSTADOR (2.700)	16	UR
	67F-12168-X0	PAD, ADJUSTING (2.725) COJIN, AJUSTADOR (2.725)	16	UR
	67F-12168-Y0	PAD, ADJUSTING (2.750) COJIN, AJUSTADOR (2.750)	16	UR
	67F-12169-00	PAD, ADJUSTING (2.775) COJIN, AJUSTADOR (2.775)	16	UR
	67F-12169-10	PAD, ADJUSTING (2.800) COJIN, AJUSTADOR (2.800)	16	UR
	67F-12169-20	PAD, ADJUSTING (2.825) COJIN, AJUSTADOR (2.825)	16	UR
	67F-12169-30	PAD, ADJUSTING (2.850) COJIN, AJUSTADOR (2.850)	16	UR
	67F-12169-40	PAD, ADJUSTING (2.875) COJIN, AJUSTADOR (2.875)	16	UR
	67F-12169-50	PAD, ADJUSTING (2.900) COJIN, AJUSTADOR (2.900)	16	UR
	67F-12169-60	PAD, ADJUSTING (2.925) COJIN, AJUSTADOR (2.925)	16	UR
	67F-12169-70	PAD, ADJUSTING (2.950) COJIN, AJUSTADOR (2.950)	16	UR
	67F-12169-80	PAD, ADJUSTING (2.975) COJIN, AJUSTADOR (2.975)	16	UR
	67F-12169-A0	PAD, ADJUSTING (3.000) COJIN, AJUSTADOR (3.000)	16	UR
	67F-12169-B0	PAD, ADJUSTING (3.025) COJIN, AJUSTADOR (3.025)	16	UR
	67F-12169-C0	PAD, ADJUSTING (3.050) COJIN, AJUSTADOR (3.050)	16	UR
	67F-12169-D0	PAD, ADJUSTING (3.075) COJIN, AJUSTADOR (3.075)	16	UR
	67F-12169-E0	PAD, ADJUSTING (3.100) COJIN, AJUSTADOR (3.100)	16	UR



67F0010-9050

FIG. 5 VALVE

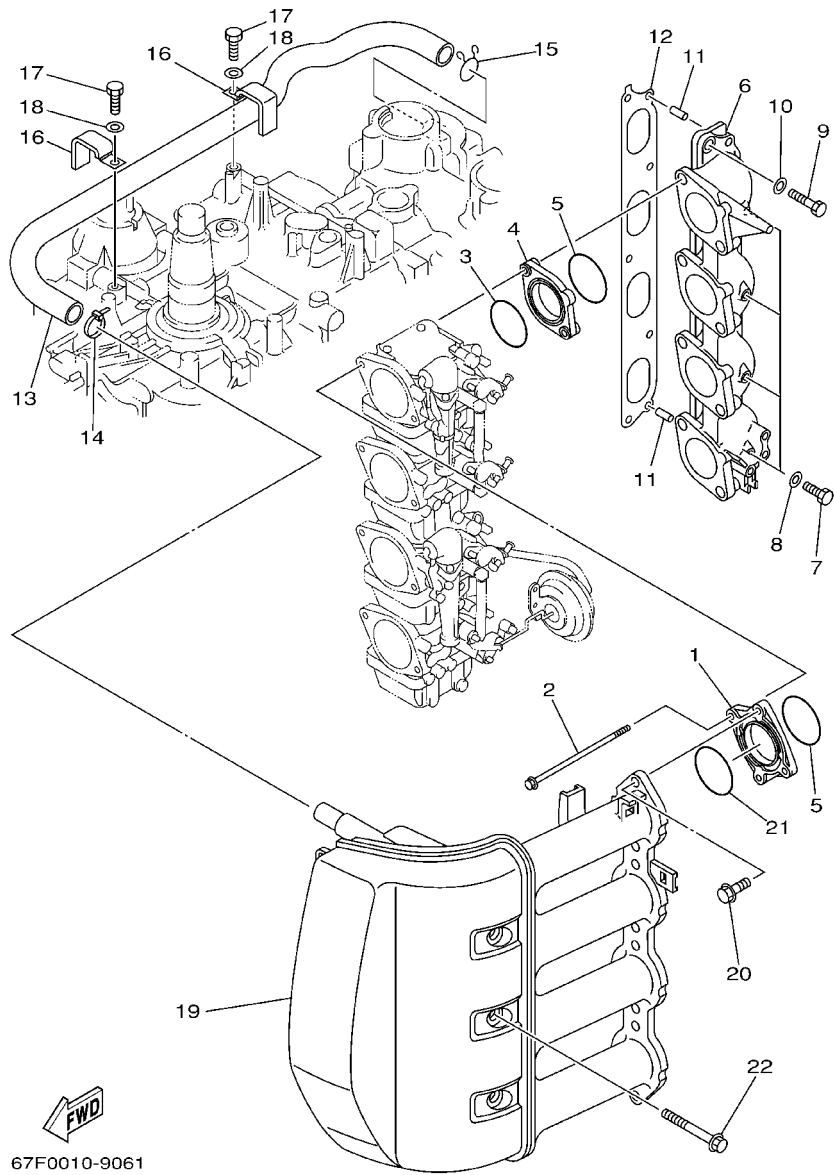
VALVULA



REF. NO.	PART NO. CODIGO NO.	DESCRIPTION DESCRIPTION	60D2	REMARKS OBSERVACION
10	67F-12169-F0	PAD, ADJUSTING (3.125) COJIN, AJUSTADOR (3.125)	16	UR
	67F-12169-G0	PAD, ADJUSTING (3.150) COJIN, AJUSTADOR (3.150)	16	UR
	67F-12169-H0	PAD, ADJUSTING (3.175) COJIN, AJUSTADOR (3.175)	16	UR
	67F-12169-J0	PAD, ADJUSTING (3.200) COJIN, AJUSTADOR (3.200)	16	UR
	67F-12169-K0	PAD, ADJUSTING (3.225) COJIN, AJUSTADOR (3.225)	16	UR
	67F-12169-L0	PAD, ADJUSTING (3.250) COJIN, AJUSTADOR (3.250)	16	UR
	67F-12169-M0	PAD, ADJUSTING (3.275) COJIN, AJUSTADOR (3.275)	16	UR
	67F-12169-N0	PAD, ADJUSTING (3.300) COJIN, AJUSTADOR (3.300)	16	UR
11	67F-12171-00	CAMSHAFT 1 ARBOL DE LEVAS 1	1	
12	67F-12181-00	CAMSHAFT 2 ARBOL DE LEVAS 2	1	
13	93605-10108	PIN, DOWEL PASADOR DE CLAVIJA	2	
14	67F-11537-00	GEAR, DRIVEN ENGRANAJE TRACCION	2	
15	90119-10M06	BOLT, WITH WASHER TORNILLO CON ARANDELA	2	
16	93102-38M59	OIL SEAL SELLO ACEITE	2	
17	67F-46241-00	BELT CORREA	1	
18	67F-11590-00	TENSIONER ASSY TENSOR COMPLET	1	
19	90506-16M39	SPRING, TENSION RESORTE DE TENSION	1	
20	90445-15M03	HOSE (L23) TUBO (L23)	1	
21	67F-11595-00	PLATE, VALVE PLACA DE VALVULA	1	
22	90119-10M72	BOLT, WITH WASHER TORNILLO CON ARANDELA	1	
23	67F-11536-00	GEAR, DRIVE ENGRANAJE TRACCION	1	
24	90170-40003	NUT TUERCA	1	
25	90280-04008	KEY, WOODRUFF CUNA WOODRUFF	1	



67F0010-9050



67F0010-9061

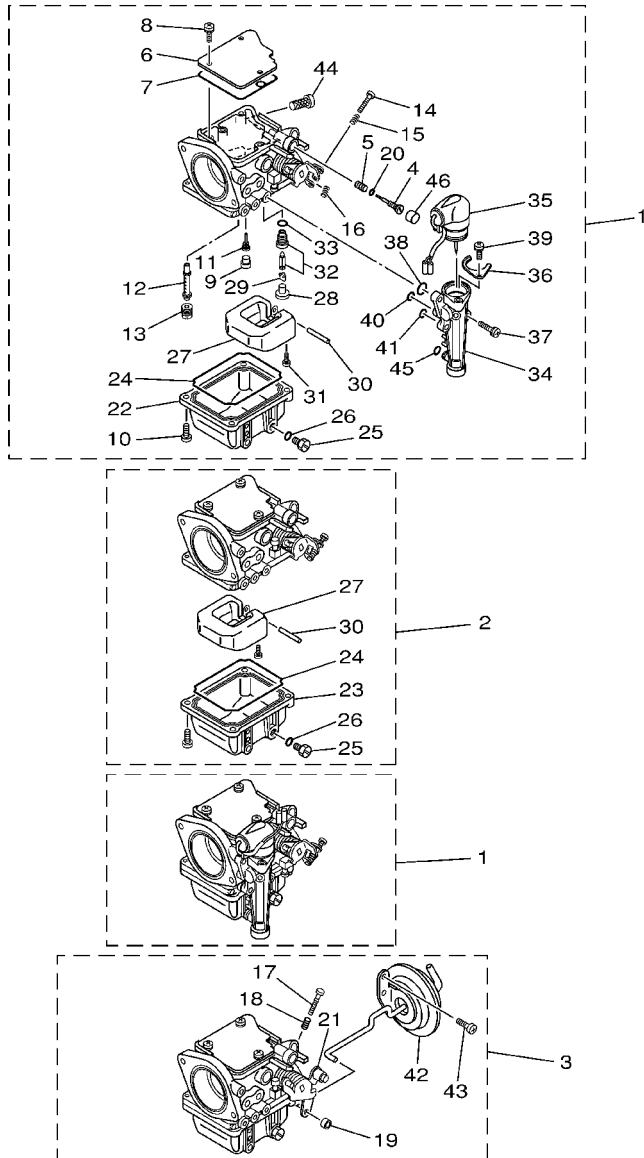
FIG. 6 INTAKE

ADMISION

REF. NO.	PART NO. CODIGO NO.	DESCRIPTION DESCRIPTION	60D2	REMARKS OBSERVACION
1	67F-14243-00	PLATE PLACA	4	
2	67F-14216-00	BOLT PERNO	8	
3	67F-14239-00	SEAL SELLO	4	
4	67F-14271-00	INSULATOR AISLANTE	4	
5	93210-40M10	O-RING ANILLO O	8	
6	67F-13641-00-94	MANIFOLD 1 MULTIPLE 1	1	
7	97095-06010	BOLT PERNO	4	
8	90430-06014	GASKET JUNTA	4	
9	97075-08035	BOLT PERNO	5	
10	92995-08600	WASHER ARANDELA	5	
11	91690-50014	PIN, SPRING PASADOR DE RESORTE	2	
12	67F-13645-00	GASKET, MANIFOLD 1 EMPAQUE	1	
13	67F-15373-00	PIPE, BREATHER MANGUELA DE RESPIRADERO	1	
14	90465-11M10	CLAMP BRIDA	1	
15	90467-20M15	CLIP PRESILLA	1	
16	90465-12M03	CLAMP BRIDA	2	
17	97095-06012	BOLT PERNO	2	
18	92995-06600	WASHER ARANDELA	2	
19	67F-14440-00	SILENCER ASSY, INTAKE SILENCIADOR COMPL DE ADMISION	1	
20	90119-06M82	BOLT, WITH WASHER TORNILLO CON ARANDELA	8	
21	93210-41MJ2	O-RING ANILLO O	4	
22	90119-08M59	BOLT, WITH WASHER TORNILLO CON ARANDELA	3	

FIG. 7 CARBURETOR 1

CARBURADOR 1



REF. NO.	PART NO. CODIGO NO.	DESCRIPTION DESCRIPTION	60D2	REMARKS OBSERVACION
1	60C-14901-00	CARBURETOR ASSY 1 CARBURADOR COMPLETO 1	2	#1,3
	60C-14901-10	CARBURETOR ASSY 1 CARBURADOR COMPLETO 1	2	#1,3-FOR OCEANIA, AFRICA
2	60C-14902-00	CARBURETOR ASSY 2 CARBURADOR COMPLETO 2	1	#2
	60C-14902-10	CARBURETOR ASSY 2 CARBURADOR COMPLETO 2	1	#2-FOR OCEANIA, AFRICA
3	60C-14904-00	CARBURETOR ASSY 4 CARBURADOR COMPLETO 4	1	#4
	60C-14904-10	CARBURETOR ASSY 4 CARBURADOR COMPLETO 4	1	#4-FOR OCEANIA, AFRICA
4	67F-14923-00	.SCREW, PILOT .TORNILLO DE AJUSTE	4	
5	697-14555-00	.SPRING .RESORTE	4	
6	67F-14146-00	.PLATE .PLACA SOPORTE	4	
7	67F-14147-00	.O-RING .ANILLO O	4	
8	97803-04010	.SCREW, PAN HEAD .TORNILLO DE CABEZA CON PLANA	12	
9	676-14966-00	.CAP .TAPA	4	
10	97980-04114	.SCREW, WITH WASHER .TORNILLO, CON ARANDELA	16	
11	67F-14948-04	.JET (#42) .INYECTOR (#42)	4	
12	67F-14947-00	.JET, NEEDLE .INYECTOR DE AGUJA	4	
13	67F-14943-83	.JET, MAIN (#128) .INYECTOR PRINCIPAL (#128)	4	
14	67F-14567-00	.SCREW .TORNILLO	3	#1,2,3
15	67F-14555-00	.SPRING .RESORTE	3	#1,2,3
16	67F-14556-00	.SPRING .RESORTE	3	#1,2,3
17	63V-14523-00	.SCREW, STOP .TORNILLO DE TOPE	1	#4
18	90501-10326	.SPRING, COMPRESSION .RESORTE DE COMPRESION	1	#4
19	67F-14998-00	.BUSH .BUJE	1	#4
20	67F-14397-00	.O-RING .ANILLO O	4	
21	6H2-14578-00	.COLLAR .COLLAR	1	#4
22	67F-14980-00	.BODY, FLOAT CHAMBER .CUERPO CAMARA DE BOIA	2	#1,3
23	67F-14980-10	.BODY, FLOAT CHAMBER .CUERPO CAMARA DE BOIA	2	#2,4
24	67F-14984-00	.GASKET, FLOAT CHAMBER .EMPAQUE CAMARA DE BOIA	4	

FWD
67F0100-9071

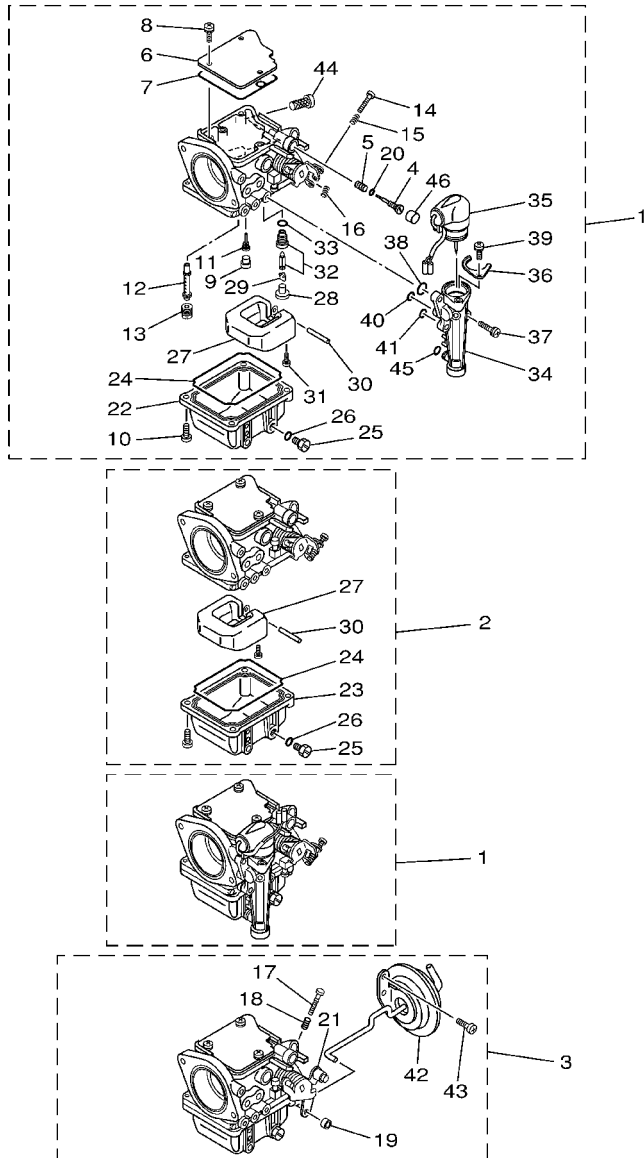


FIG. 7 CARBURETOR 1

CARBURADOR 1

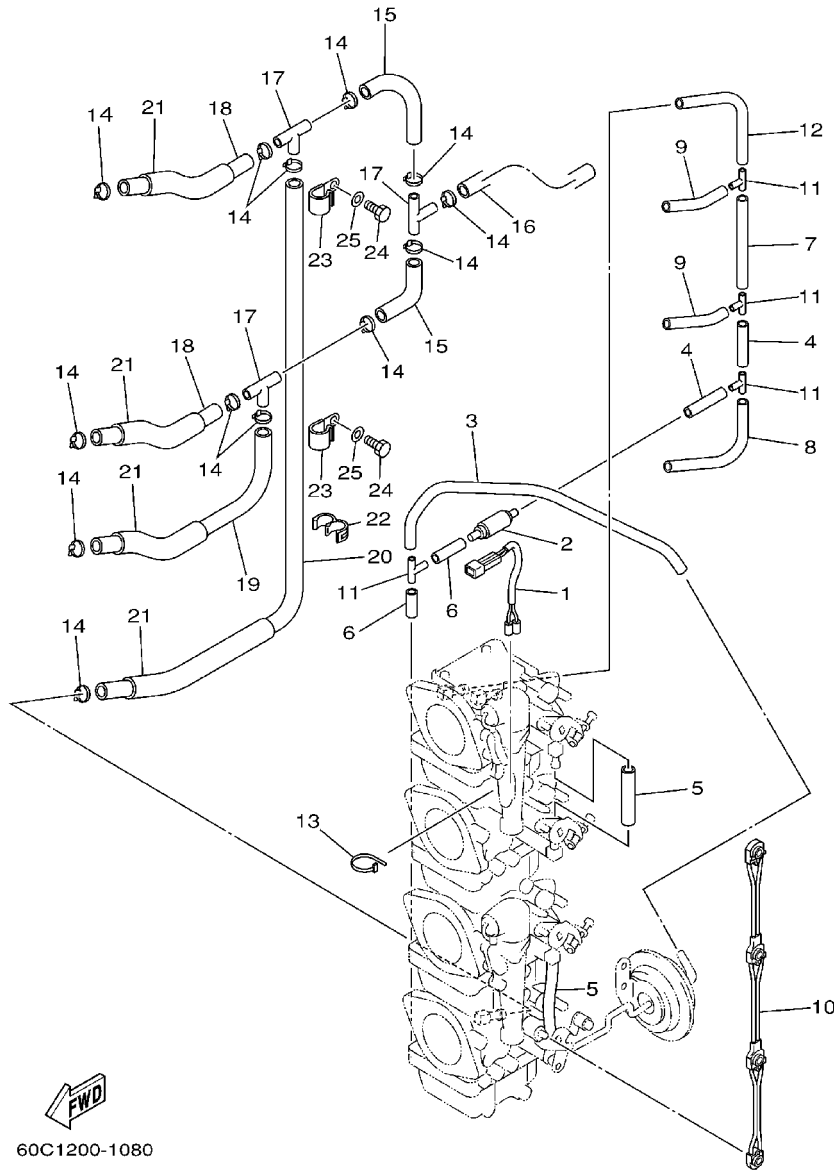
REF. NO.	PART NO. CODIGO NO.	DESCRIPTION DESCRIPTION	60D2	REMARKS OBSERVACION
25	6H3-14992-00	.SCREW, DRAIN .TORNILLO, SEGURO	4	
26	93210-04230	.O-RING .ANILLO O	4	
27	6H4-14985-01	.FLOAT .BOIA	4	
28	676-14186-00	.PIN, FLOAT .PASADOR DE LA BOYA	4	
29	663-14159-00	.CLIP .PRESILLA	4	
30	6H4-14548-00	.PIN, FLOAT ARM .PASADOR DE BRAZO DE BOYA	4	
31	98580-04008	.SCREW, PAN HEAD .TORNILLO DE CABEZA CON PLANA	4	
32	60C-14590-00	.NEEDLE VALVE ASSY .VALVULA DE AGUJA COMPLETA	4	
33	93210-04228	.O-RING .ANILLO O	4	
34	67F-14378-00	.BODY, STARTER .CUERPO CAMARA DE ARRANQUE	2	#1,3
35	67F-14380-01	.PRIME STARTER ASSY .JUEGO DE VALVULA DE ARRANQUE	2	#1,3
36	67F-14178-00	.PLATE, STARTER LEVER .PLACA DE PALANCA DE ARRANQUE	2	#1,3
37	67F-14592-00	.SCREW .TORNILLO	6	#1,3
38	67F-14398-00	.O-RING .ANILLO O	2	#1,3
39	67F-14565-00	.SCREW .TORNILLO	2	#1,3
40	67F-14398-10	.O-RING .ANILLO O	4	#1,3
41	67F-14398-20	.O-RING .ANILLO O	2	#1,3
42	67F-14369-00	.DIAPHRAGM ASSY 2 .DIAFRAGMA COMPLETO 2	1	#4
43	67F-14325-00	.SCREW, PAN HEAD .TORNILLO CABEZA REDONDA	2	#4
44	67F-14371-01	.ELEMENT, FILTER .ELEMENTO DEL FILTRO	4	
45	67F-14398-30	.O-RING .ANILLO O	2	#1,3
46	67F-14355-00	.PLUG .TAPON	4	FOR OCEANIA, AFRICA



67F0100-9071

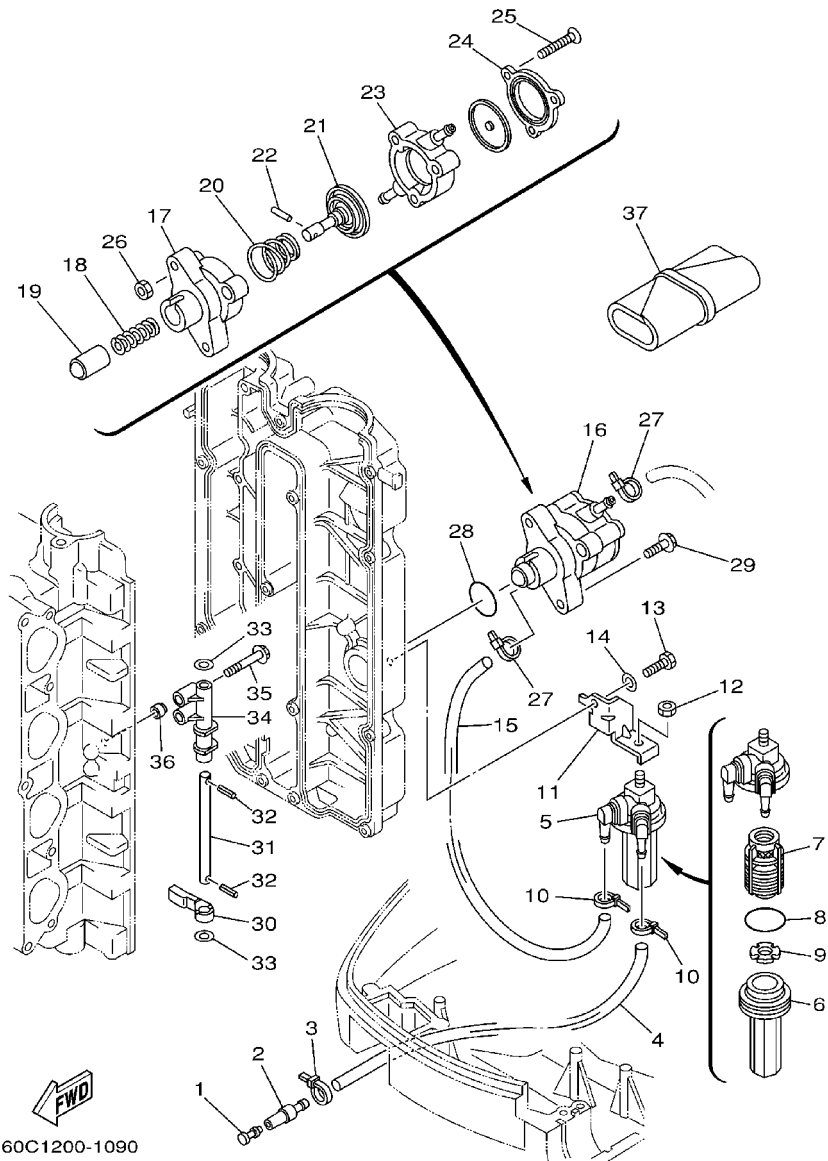
FIG. 8 CARBURETOR 2

CARBURADOR 2



60C1200-1080

REF. NO.	PART NO. CODIGO NO.	DESCRIPTION DESCRIPTION	60D2				REMARKS OBSERVACION
1	67F-1412A-00	WIRE HARNESS ASSY CONJUNTO DE CABLES	1				
2	67F-13183-00	VALVE, CHECK VALVULA DE RETENTION	1				
3	67F-14349-00	PIPE TUBO	1				
4	67F-14349-10	PIPE TUBO	2				
5	67F-14349-20	PIPE TUBO	2				
6	67F-14349-30	PIPE TUBO	2				
7	67F-14349-40	PIPE TUBO	1				
8	67F-14349-50	PIPE TUBO	1				
9	67F-14349-60	PIPE TUBO	2				
10	67F-14585-00	ROD, CHOKE VARILLA DE CEBADOR	1				
11	67F-14189-00	CONNECTOR CONECTOR	4				
12	67F-14349-70	PIPE TUBO	1				
13	90465-11M59	CLAMP BRIDA	1				
14	68F-24356-00	CLIP, PIPE 1 PRESILLA DE TUBO 1	13				
15	60C-14294-00	HOSE MANGUERA	2				
16	60C-14298-00	PIPE TUBO	1				
17	688-24378-00	PIPE, JOINT 4 TUBO DE UNION 4	3				
18	90445-10M16	HOSE (L120) TUBO (L120)	3				
19	90445-10MG6	HOSE (L180) TUBO (L180)	1				
20	90445-10MG7	HOSE (L350) TUBO (L350)	1				
21	90445-16M07	HOSE (L80) TUBO (L80)	4				
22	90464-10M57	CLAMP BRIDA	1				
23	90465-08M83	CLAMP BRIDA	2				
24	97095-06012	BOLT PERNO	2				
25	92995-06600	WASHER ARANDELA	2				

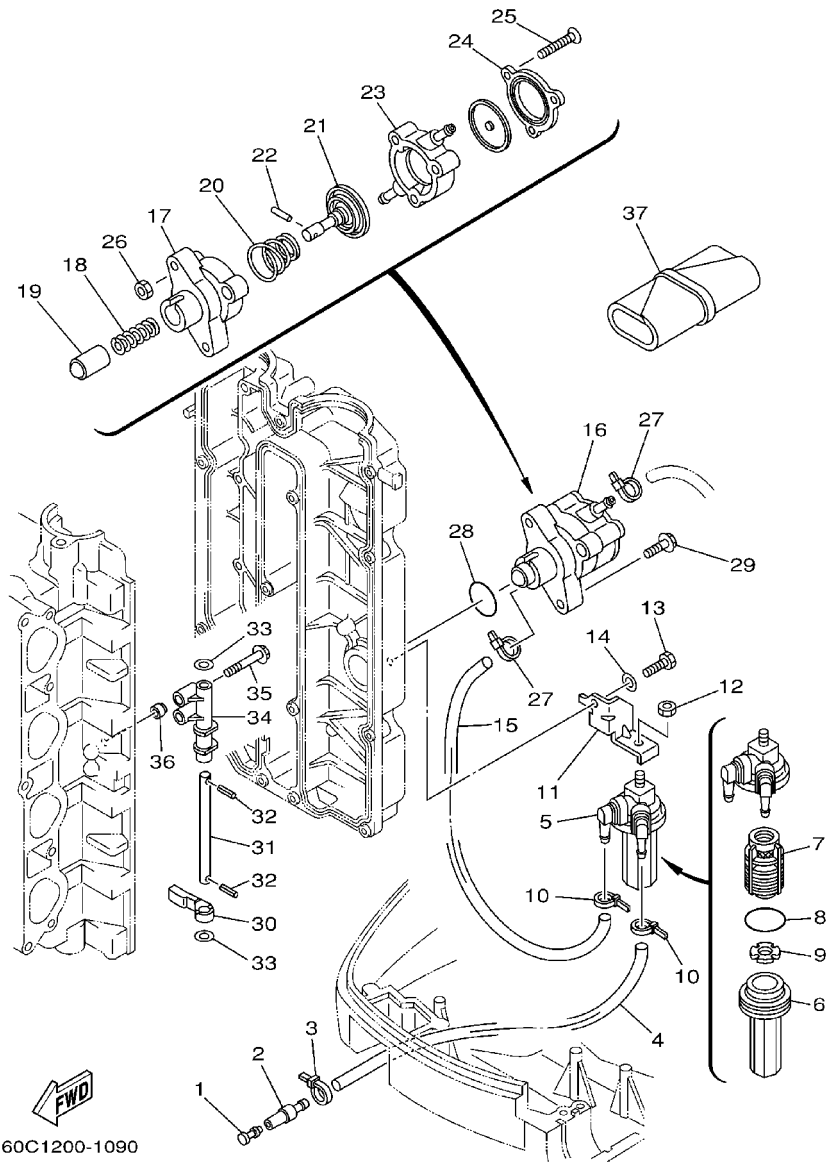


60C1200-1090

FIG. 9 FUEL

COMBUSTIBLE

REF. NO.	PART NO. CODIGO NO.	DESCRIPTION DESCRIPTION	60D2				REMARKS OBSERVACION
1	689-85547-00	DAMPER AMORTIGUADOR	1				
2	6R3-24377-00	PIPE, JOINT 3 TUBO DE UNION 3	1				
3	90465-11M10	CLAMP BRIDA	1				
4	90445-13M27	HOSE (L950) TUBO (L950)	1				
5	60C-24560-00	FILTER ASSY FILTRO COMPLETO	1				
6	68V-24521-01	.CUP, FILTER .COPA DE FILTRO	1				
7	61N-24563-00	.ELEMENT, FILTER .ELEMENTO DEL FILTRO	1				
8	93210-32738	.O-RING .ANILLO O	1				
9	68V-24469-01	.FLOAT, WATER LEVEL .BOIA	1				
10	90465-11M10	CLAMP BRIDA	2				
11	68V-24566-00	BRACKET, FILTER SOPORTE DEL FILTRO	1				
12	95380-08600	NUT TUERCA	1				
13	97095-06016	BOLT PERNO	1				
14	92995-06600	WASHER ARANDELA	1				
15	90445-13M11	HOSE (L300) TUBO (L300)	1				
16	68V-24410-00	FUEL PUMP ASSY BOMBA DE COMBUSTIBLE COMPLETA	1				
17	68V-24412-00	.BODY 1 .CUERPO 1	1				
18	68V-24454-00	.SPRING .RESORTE	1				
19	68V-13131-00	.PLUNGER .ESPACIADOR	1				
20	68V-24423-00	.SPRING, DIAPHRAGM .RESORTE DE DIAFRAGMA	1				
21	68V-24411-00	.DIAPHRAGM .DIAFRAGMA	1				
22	68V-24374-00	.PIN .PASADOR	1				
23	68V-24413-00	.BODY 2 .CUERPO 2	1				
24	68V-24414-00	.BODY 3 .CUERPO 3	1				
25	68V-24444-00	.SCREW .TORNILLO	3				
26	68V-24149-00	.NUT .TUERCA	3				
27	90465-11M10	CLAMP BRIDA	2				



60C1200-1090

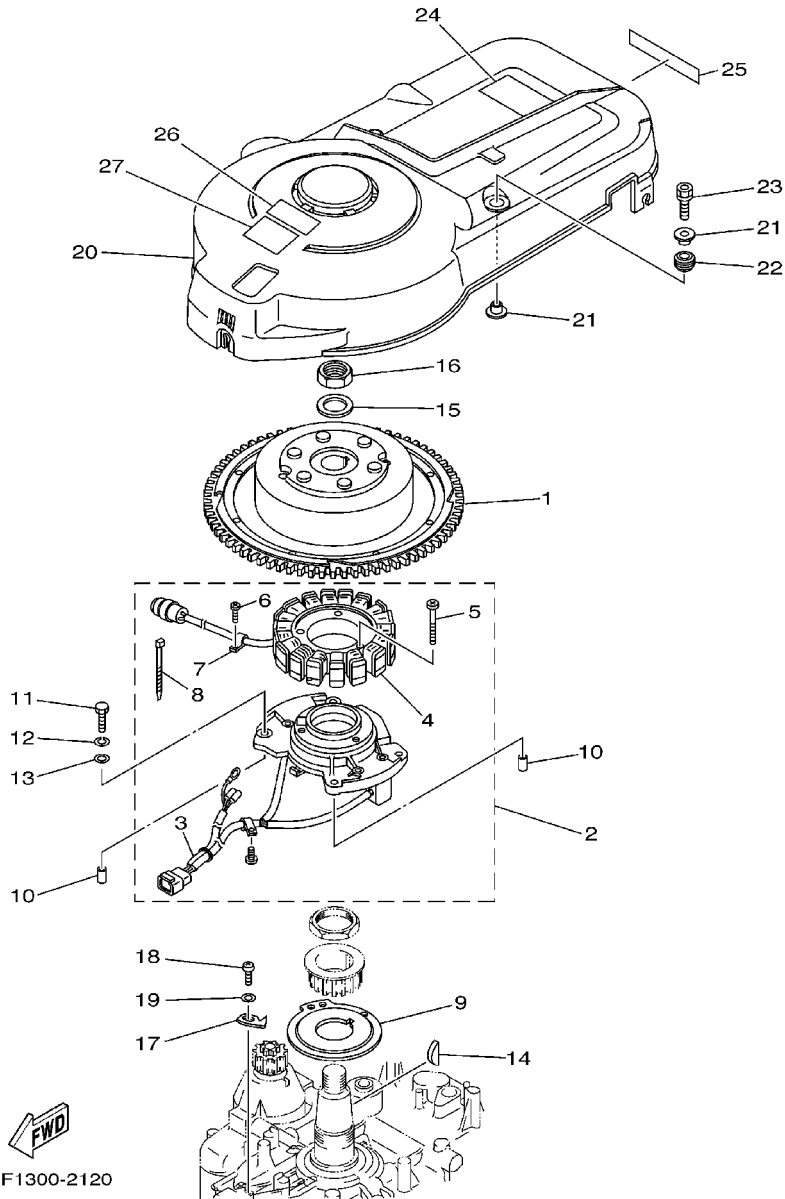
FIG. 9 FUEL

COMBUSTIBLE

REF. NO.	PART NO. CODIGO NO.	DESCRIPTION DESCRIPTION	60D2	REMARKS OBSERVACION
28	93210-30682	O-RING ANILLO O	1	
29	90119-06M83	BOLT, WITH WASHER TORNILLO CON ARANDELA	2	
30	67F-24575-00	LEVER, FUEL CHANGE PALANCA SELECTOR COMBUSTIBLE	1	
31	68V-24495-00	SHAFT EJE	1	
32	91609-25014	PIN, SPRING PASADOR DE RESORTE	2	
33	90201-08M12	WASHER, PLATE ARANDELA PLANA	2	
34	67F-24491-00	BRACKET, FUEL PUMP SOPORTE BOMBA COMBUSTIBLE	1	
35	90119-07235	BOLT, WITH WASHER TORNILLO CON ARANDELA	2	
36	91809-08006	PIN, DOWEL PASADOR DE CLAVIJA	2	
37	67F-28100-00	TOOL KIT JUEGO DE HERRAMIENTAS	1	

FIG. 10 GENERATOR

GENERADOR

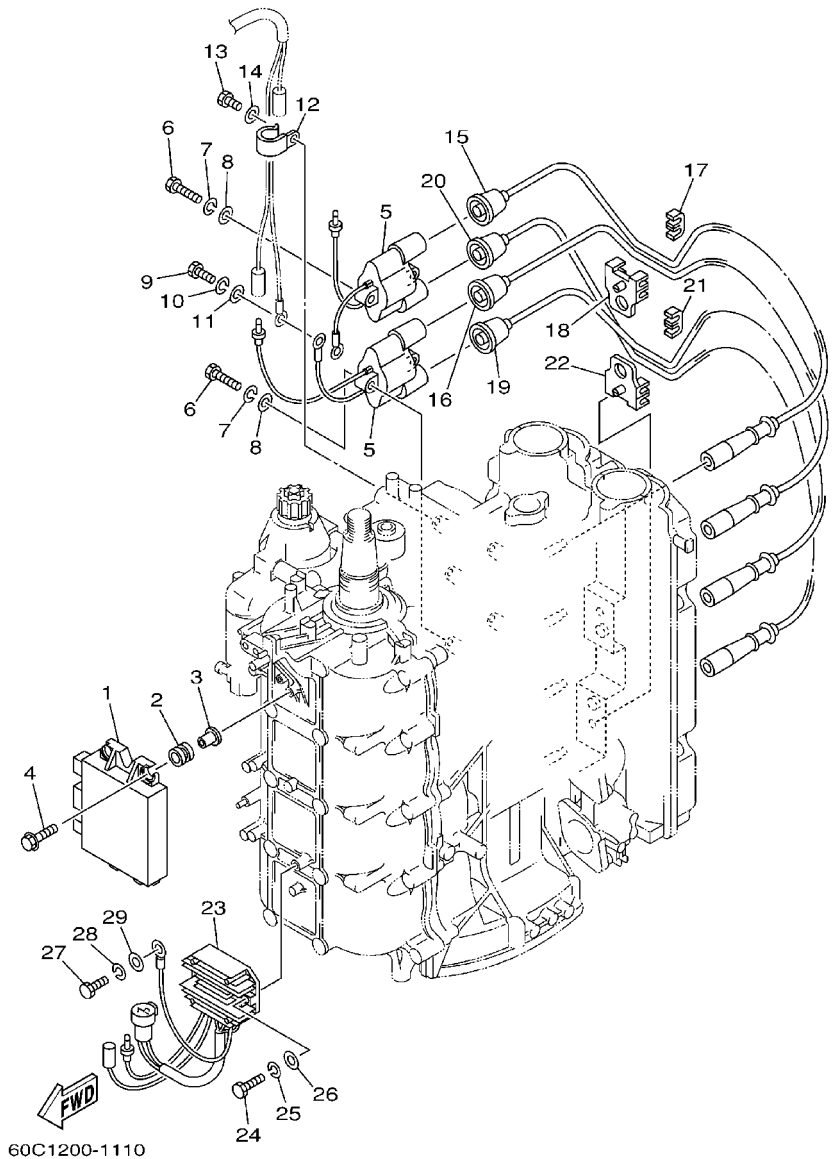


67F1300-2120

REF. NO.	PART NO. CODIGO NO.	DESCRIPTION DESCRIPTION	60D2	REMARKS OBSERVACION
1	67F-85550-00	ROTOR ASSY ROTOR COMPLETO	1	
2	67F-85560-01	BASE ASSY CONJUNTO BASE	1	
3	67F-85580-00	.COIL, PULSER .BOBINA DE PULSACION	1	
4	67F-85510-01	.STATOR ASSY .ESTATOR COMPLET	1	
5	63D-81345-20	.SCREW, WITH WASHER (M6X30) .TORNILLO, CON ARANDELA (M6X30)	3	
6	97607-04110	.SCREW, PAN HEAD WITH WASHER .TORNILLO CAB CON PLANA C/ARAN	1	
7	445-81328-20	.CLAMP .GRAMPA	1	
8	66T-81328-00	.CLAMP .GRAMPA	1	
9	67F-81673-00	ROTOR ROTOR	1	
10	99530-08012	PIN, DOWEL PASADOR, DE ESPIGA	2	
11	97095-06030	BOLT PERNO	4	
12	92995-06100	WASHER, SPRING ARANDELA	4	
13	92995-06600	WASHER ARANDELA	4	
14	90280-05015	KEY, WOODRUFF CUNA WOODRUFF	1	
15	90201-25M02	WASHER, PLATE ARANDELA PLANA	1	
16	90170-24M22	NUT TUERCA	1	
17	67F-81332-00	PLATE, TIMING PLACA REGULADOR DE TIEMPO	1	
18	97885-06010	SCREW, PAN HEAD TORNILLO DE CABEZA CON PLANA	1	
19	92995-06600	WASHER ARANDELA	1	
20	67F-81337-01	COVER, FLYWHEEL CUBIERTA DE VOLANTE	1	
21	90387-06M71	COLLAR COLLAR	4	
22	90480-15M31	GROMMET TAPON	2	
23	90119-06M92	BOLT, WITH WASHER TORNILLO CON ARANDELA	2	
24	67F-12138-60	MARK, CAUTION MARKER	1	
25	67F-13437-60	MARK, CAUTION MARKER	1	
26	6A1-83625-41	MARK 5 MARCA 5	1	
27	6A1-83625-51	MARK 5 MARCA 5	1	

FIG. 11 ELECTRICAL 1

EQUIPO ELECTRICO 1



60C1200-1110

REF. NO.	PART NO. CODIGO NO.	DESCRIPTION DESCRIPTION	60D2			REMARKS OBSERVACION
1	67F-85540-01	C.D.I. UNIT ASSY UNIDAD C.D.I. COMPLETA	1			
2	68V-82317-00	DAMPER, IGNITION COIL AMORTIGUADOR BOBINA ENCENDIDO	4			
3	624-42542-00	PIPE TUBO	4			
4	90119-06M59	BOLT, WITH WASHER TORNILLO CON ARANDELA	4			
5	67F-85570-00	IGNITION COIL ASSY BOBINA DE IGNICION COMPLETO	2			
6	97095-06030	BOLT PERNO	4			
7	92995-06100	WASHER, SPRING ARANDELA	4			
8	92995-06600	WASHER ARANDELA	4			
9	97095-06020	BOLT PERNO	1			
10	92995-06100	WASHER, SPRING ARANDELA	1			
11	92995-06600	WASHER ARANDELA	1			
12	90465-06M86	CLAMP BRIDA	1			
13	97095-06012	BOLT PERNO	1			
14	92995-06600	WASHER ARANDELA	1			
15	67F-82341-00	CORD, HIGH TENSION 1 CABLE DE ALTA TENSION 1	1			#1
16	67F-82342-00	CORD, HIGH TENSION 2 CABLE DE ALTA TENSION 2	1			#2
17	67F-82361-00	CLAMP, CORD GRAMPA DE CABLE	1			
18	67F-82362-00	CLAMP, CORD 2 GRAMPA DE CABLE 2	1			
19	67F-82343-00	CORD, HIGH TENSION 3 CABLE DE ALTA TENSION 3	1			#3
20	67F-82344-00	CORD, HIGH TENSION 4 CABLE DE ALTA TENSION 4	1			#4
21	67F-82361-00	CLAMP, CORD GRAMPA DE CABLE	1			
22	67F-82362-00	CLAMP, CORD 2 GRAMPA DE CABLE 2	1			
23	67F-81960-10	RECTIFIER & REGULATOR ASSY RECTIFICADOR Y REGULADOR	1			
24	97095-06025	BOLT PERNO	2			
25	92995-06100	WASHER, SPRING ARANDELA	2			
26	92995-06600	WASHER ARANDELA	2			
27	97095-06020	BOLT PERNO	1			

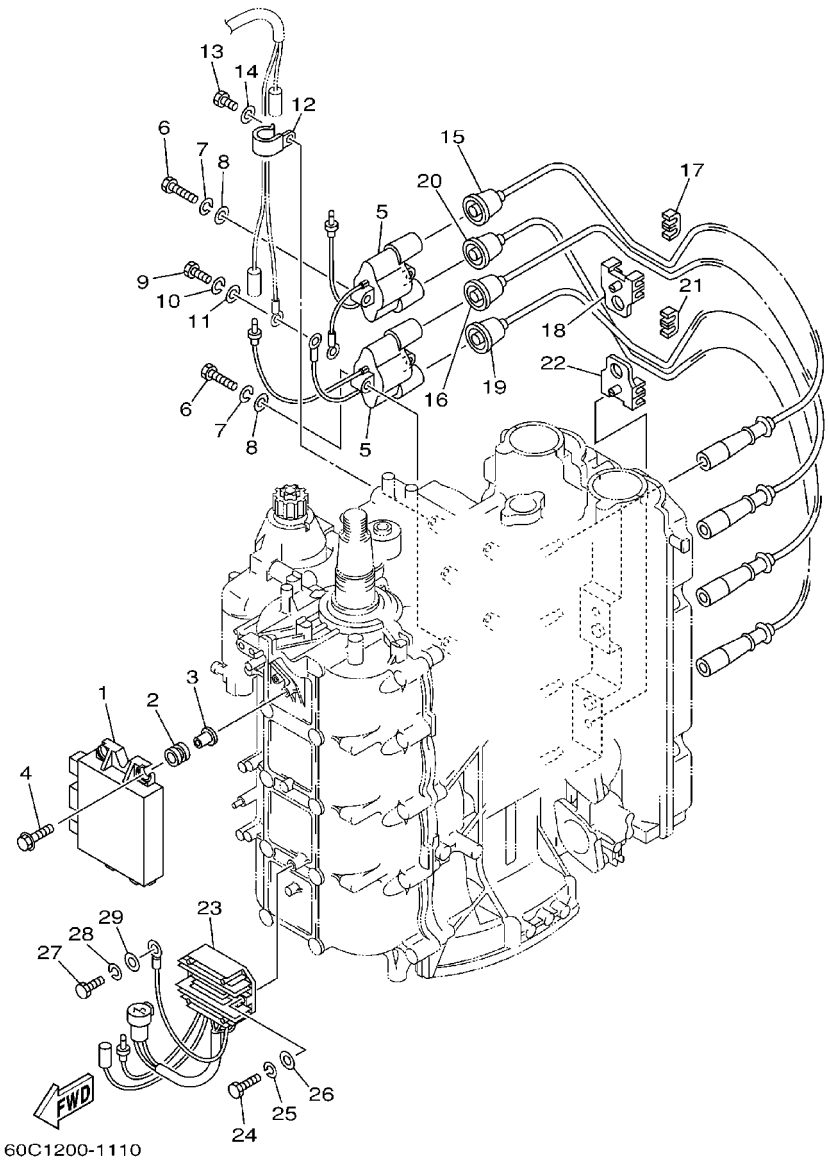


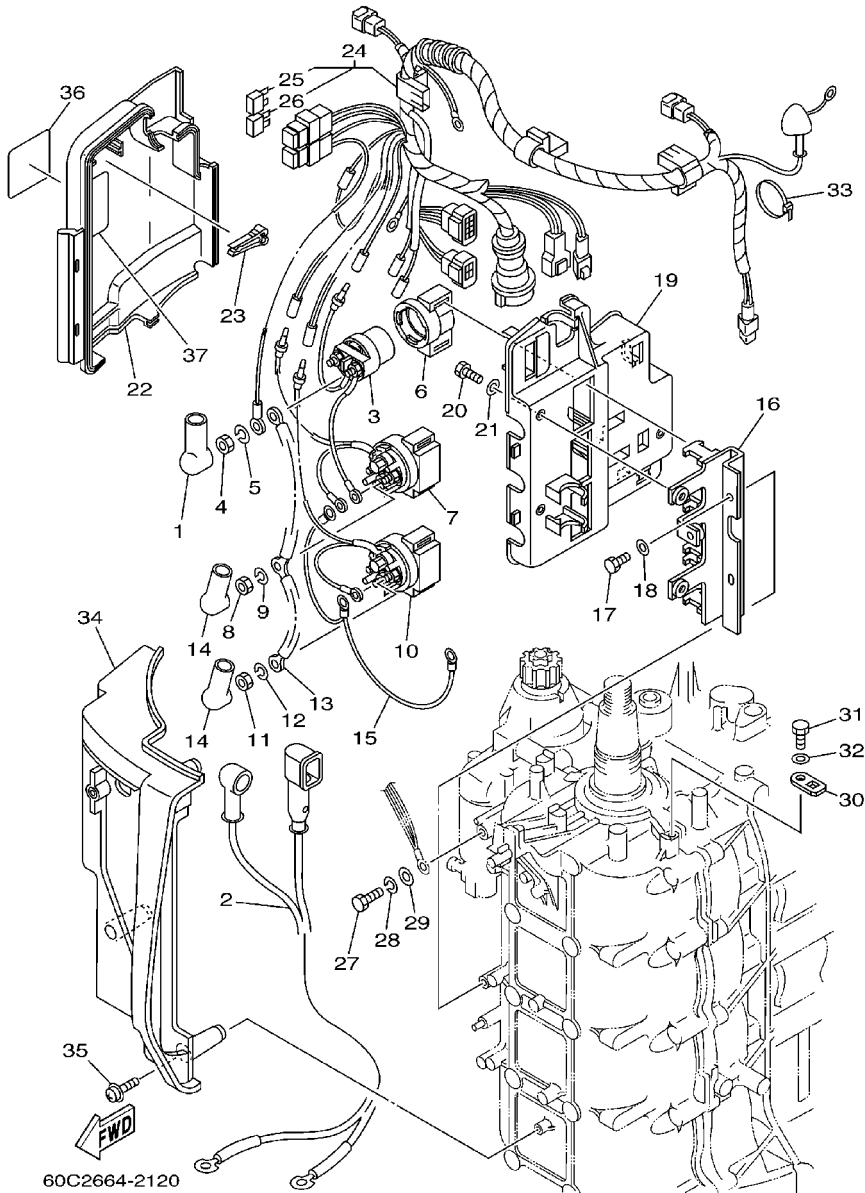
FIG. 11 ELECTRICAL 1

EQUIPO ELECTRICO 1

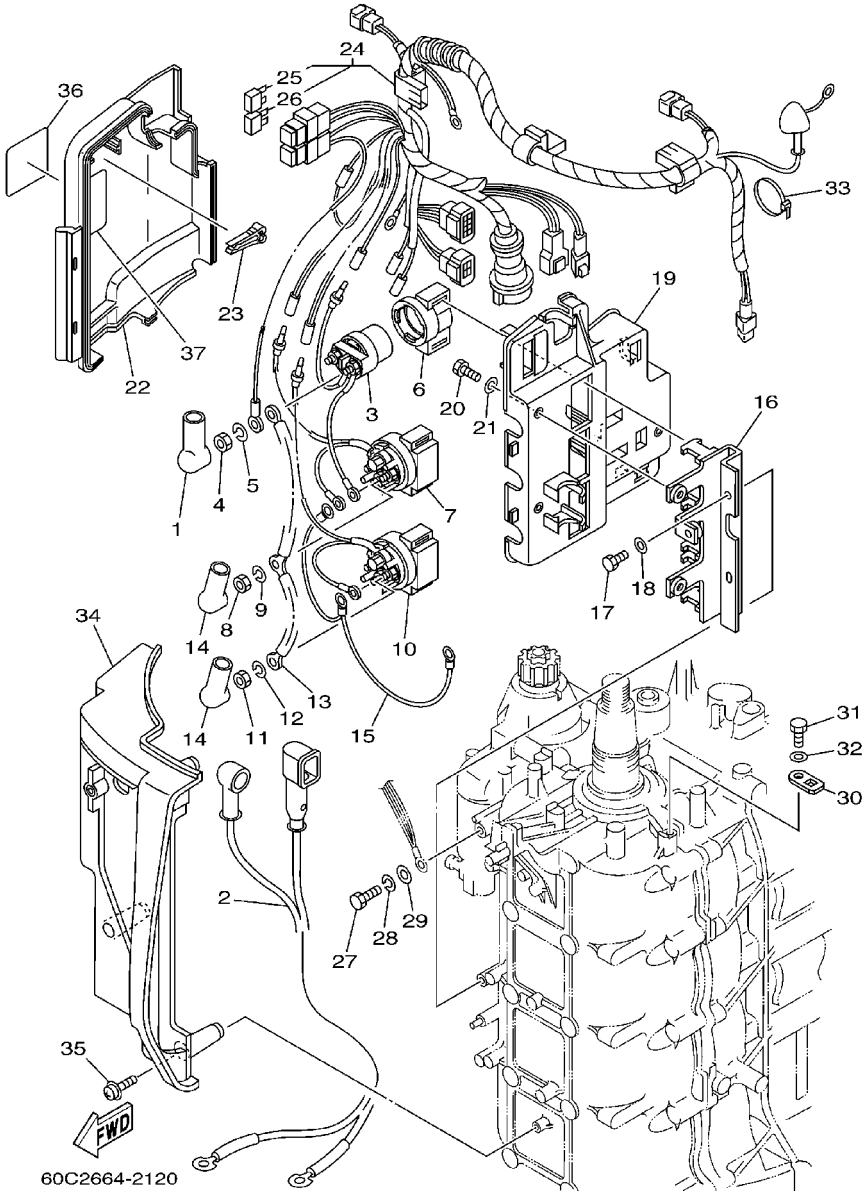
REF. NO.	PART NO. CODIGO NO.	DESCRIPTION DESCRIPTION	60D2					REMARKS OBSERVACION
28	92995-06100	WASHER, SPRING ARANDELA	1					
29	92995-06600	WASHER ARANDELA	1					

FIG. 12 ELECTRICAL 2

EQUIPO ELECTRICO 2



REF. NO.	PART NO. CODIGO NO.	DESCRIPTION DESCRIPTION	60D2			REMARKS OBSERVACION
1	682-82119-01	COVER, LEAD WIRE CUBIERTA DE CABLE CONDUCTOR	2			
2	67F-82105-00	WIRE HARNESS ARNES DE CABLES	1			
3	6G1-8194A-10	RELAY RELE	1			
4	90170-06M30	NUT TUERCA	2			
5	90204-06M00	WASHER, SPRING ARANDELA DE RESORTE	2			
6	6G1-81952-00	HOLDER, RELAY SOSTEN DE RELE	1			
7	6E5-8195B-01	RELAY ASSY RELE COMPLETO	1			
8	90170-06M30	NUT TUERCA	3			
9	90204-06M00	WASHER, SPRING ARANDELA DE RESORTE	3			
10	6E5-8195C-01	RELAY ASSY RELE COMPLETO	1			
11	90170-06M30	NUT TUERCA	3			
12	90204-06M00	WASHER, SPRING ARANDELA DE RESORTE	3			
13	66T-87149-00	CONNECTOR CONECTOR	1			
14	6G5-82119-00	COVER, LEAD WIRE CUBIERTA DE CABLE CONDUCTOR	2			
15	67F-82116-00	WIRE, MINUS LEAD CABLE CONDUCTOR NEGATIVO	1			
16	67F-81953-00	STAY, RELAY SOPORTE DE RELE	1			
17	97095-06016	BOLT PERNO	2			
18	92995-06600	WASHER ARANDELA	2			
19	67F-81948-00	BRACKET SOPORTE	1			
20	97095-06016	BOLT PERNO	3			
21	92995-06600	WASHER ARANDELA	3			
22	67F-81942-00	COVER CUBIERTA	1			
23	67F-2812A-00	PULLER, FUSE TIRADOR DE FUSIBLE	1			
24	67F-82590-02	WIRE HARNESS ASSY CONJUNTO DE CABLES	1			
25	67F-82151-00	.FUSE (20A) .FUSIBLE (20A)	2			
26	67F-82151-10	.FUSE (30A) .FUSIBLE (30A)	2			
27	97095-06020	BOLT PERNO	1			



60C2664-2120

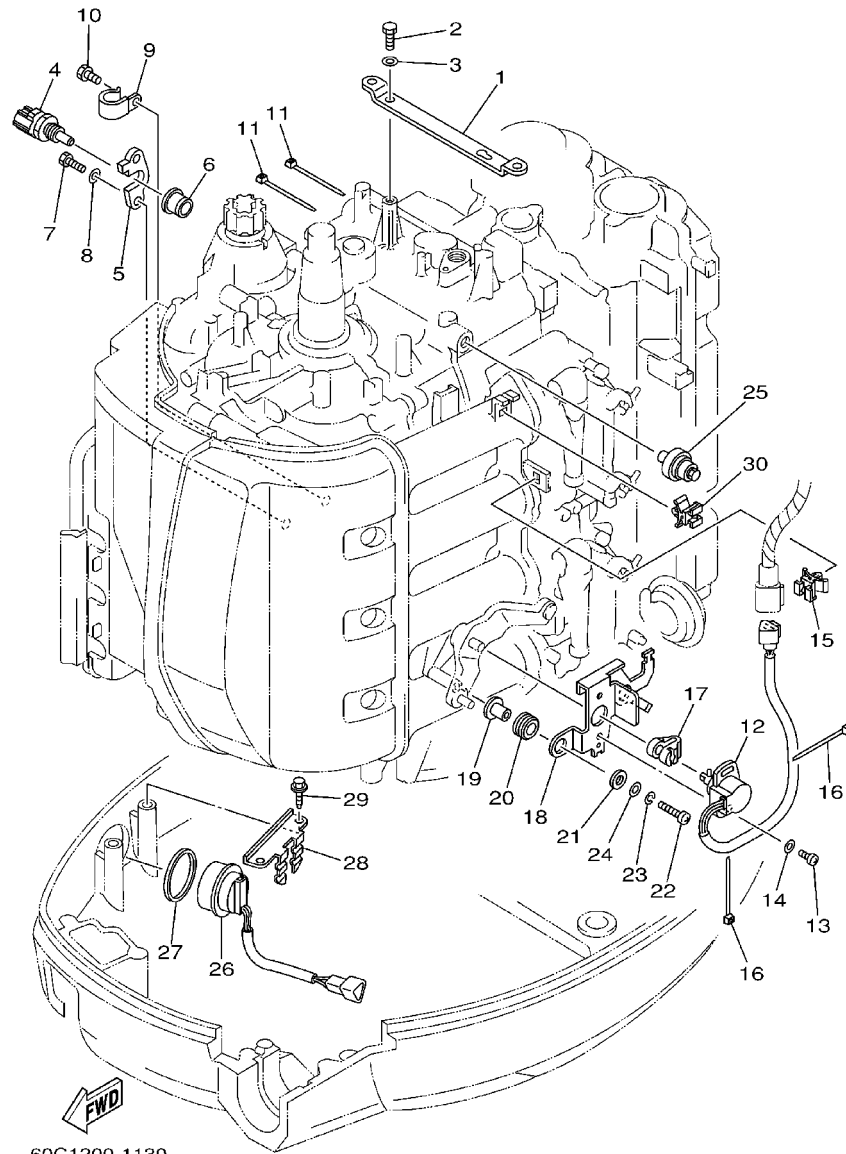
FIG. 12 ELECTRICAL 2

EQUIPO ELECTRICO 2

REF. NO.	PART NO. CODIGO NO.	DESCRIPTION DESCRIPTION	60D2			REMARKS OBSERVACION
28	92995-06100	WASHER, SPRING ARANDELA	1			
29	92995-06600	WASHER ARANDELA	1			
30	67F-82588-00	PLATE PLACA	3			
31	97095-06012	BOLT PERNO	3			
32	92995-06600	WASHER ARANDELA	3			
33	90465-13M11	CLAMP BRIDA	1			
34	60C-81916-00	COVER, TERMINAL CUBIERTA DE TERMINAL	1			
35	90159-06M29	SCREW, WITH WASHER TORNILLO CON VALONA	3			
36	67F-83626-00	MARK 6 MARCA 6	1			
37	67F-81919-00	GRAPHIC, REGULATOR CALCAMONIA DE REGULADOR	1			

FIG. 13 ELECTRICAL 3

EQUIPO ELECTRICO 3

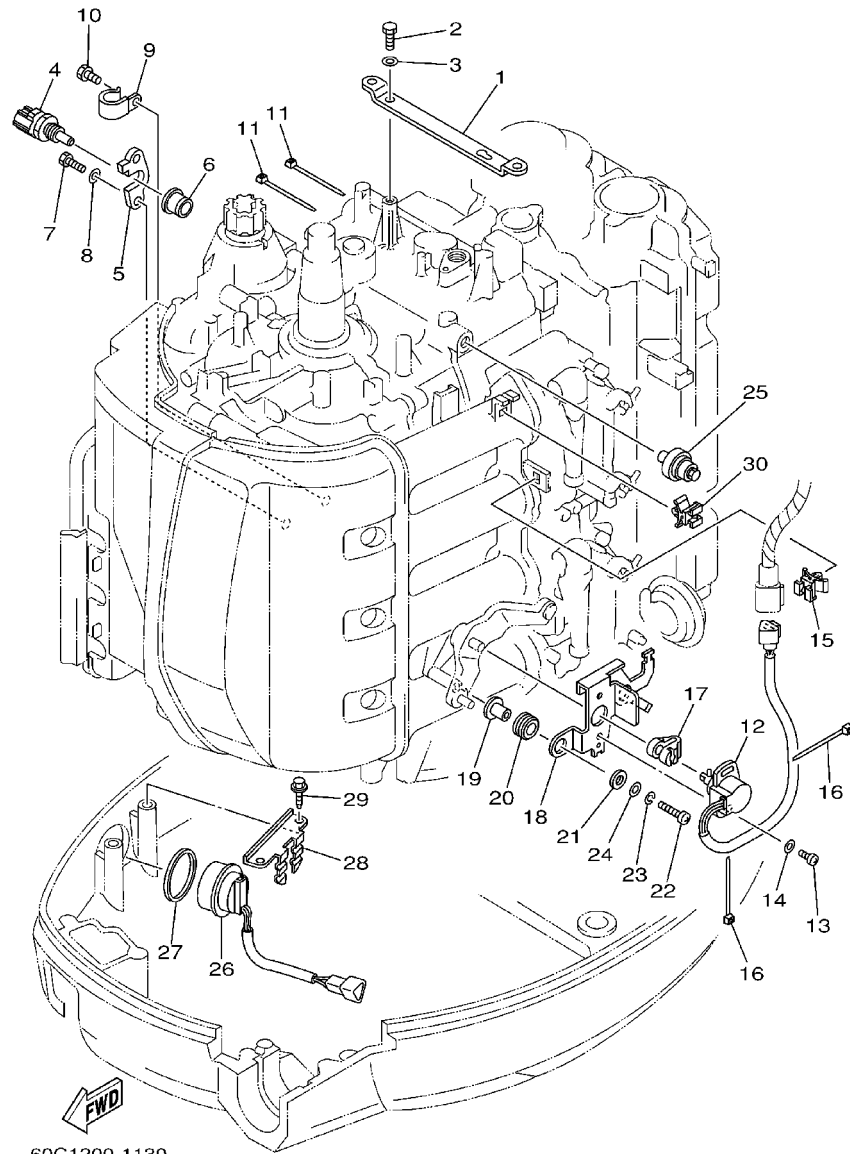


60C1200-1130

REF. NO.	PART NO. CODIGO NO.	DESCRIPTION DESCRIPTION	60D2			REMARKS OBSERVACION
1	67F-8132G-01	PLATE PLACA	1			
2	97095-06016	BOLT PERNO	2			
3	92995-06600	WASHER ARANDELA	2			
4	67F-85790-00	THERMOSENSOR ASSY TERMICA SENSORIO	1			
5	67F-85757-00	RETAINER SEGURO	1			
6	68V-85753-00	GASKET, SENDER UNIT EMPAQUE DE UNIDAD TRANSMISORA	1			
7	97095-06016	BOLT PERNO	2			
8	92995-06600	WASHER ARANDELA	2			
9	90465-06M86	CLAMP BRIDA	1			
10	97095-06010	BOLT PERNO	1			
11	90465-11M10	CLAMP BRIDA	2			
12	61A-85885-00	THROTTLE SENSOR ASSY TERMICA SENSORIO	1			
13	97885-05010	SCREW, PAN HEAD TORNILLO DE CABEZA CON PLANA	2			
14	92995-05600	WASHER ARANDELA	2			
15	90464-09M47	CLAMP BRIDA	1			
16	90465-11M10	CLAMP BRIDA	2			
17	6K7-14573-00	LEVER PALANCA	1			
18	67F-83635-00	BRACKET SOPORTE	1			
19	90387-05M00	COLLAR COLLAR	2			
20	90480-10M23	GROMMET TAPON	2			
21	90201-05M03	WASHER, PLATE ARANDELA PLANA	2			
22	97885-05025	SCREW, PAN HEAD TORNILLO DE CABEZA CON PLANA	2			
23	92995-05100	WASHER ARANDELA	2			
24	92995-05600	WASHER ARANDELA	2			
25	68V-82504-00	OIL PRESSURE SWITCH ASSY INTERRUPTOR PRESION DE ACEITE	1			
26	63D-82563-10	TRIM & TILT SWITCH ASSY INTERRUPTOR DE INCLINACION	1			
27	6E5-82587-00	GASKET EMPAQUETADURA	1			

FIG. 13 ELECTRICAL 3

EQUIPO ELECTRICO 3

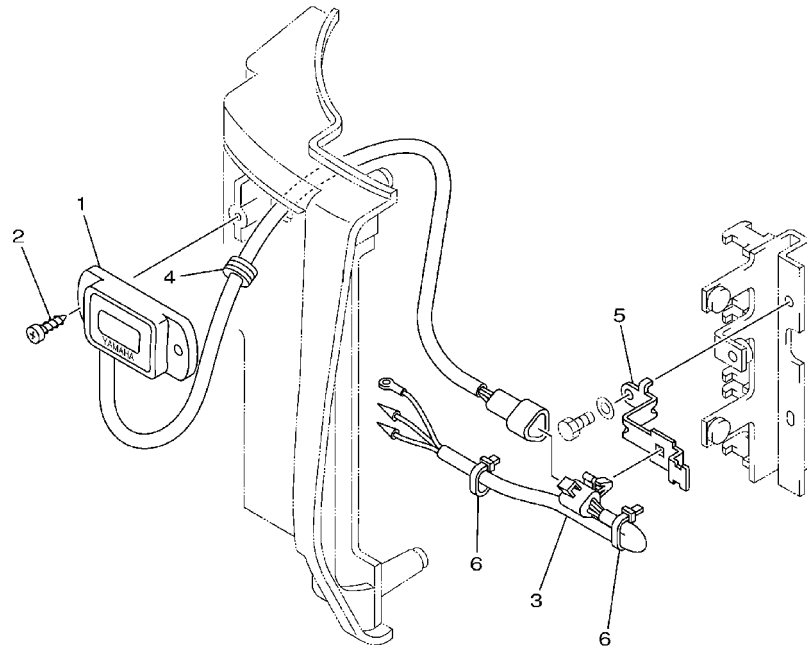


60C1200-1130

REF. NO.	PART NO. CODIGO NO.	DESCRIPTION DESCRIPTION	60D2				REMARKS OBSERVACION
28	67F-83614-00	BRACKET SOPORTE	1				
29	90109-06M86	BOLT PERNO	2				
30	90464-09M47	CLAMP BRIDA	1				

FIG. 14 ELECTRICAL 4

EQUIPO ELECTRICO 4



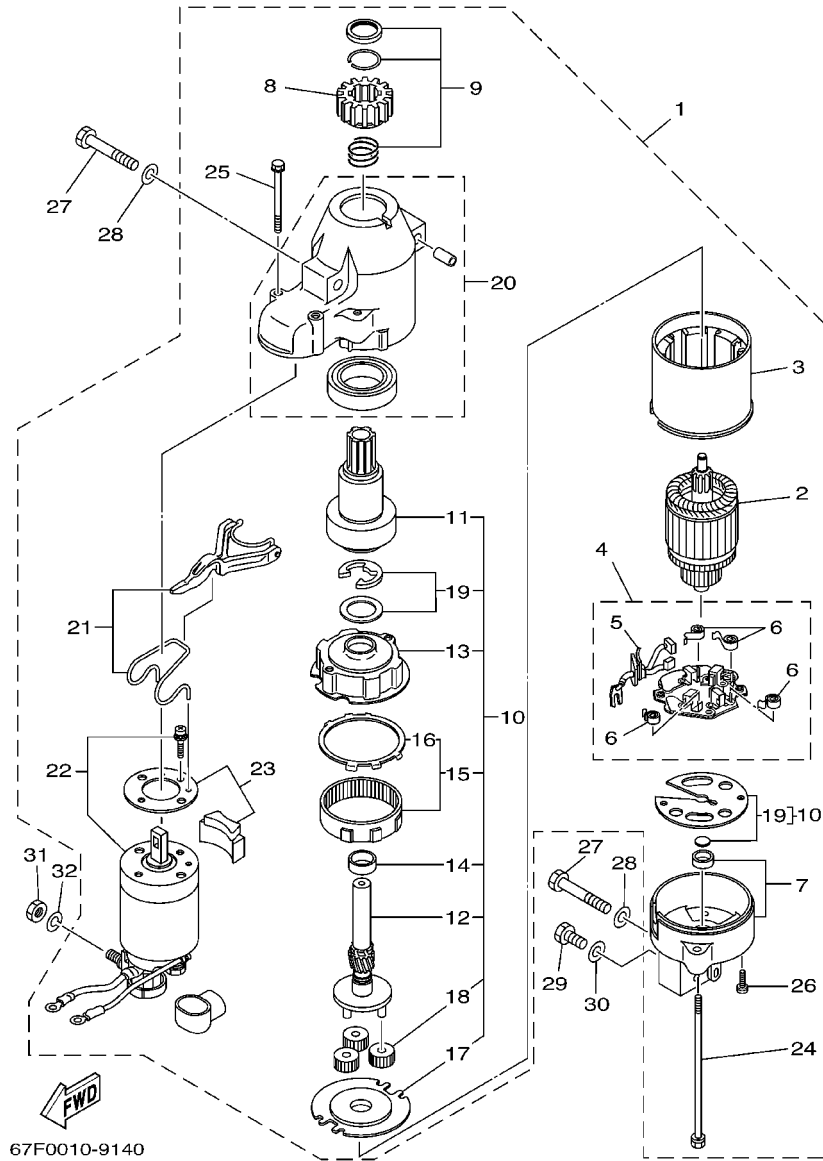
REF. NO.	PART NO. CODIGO NO.	DESCRIPTION DESCRIPTION	60D2				REMARKS OBSERVACION
1	6Y5-83504-20	HOUR METER ASSY MEDIDOR DE HORAS COMPLETO	1				
2	90167-05009	SCREW, TAPPING TORNILLO DE ROSCA HEMBRA	2				
3	60C-82586-00	EXTENSION, WIRE HARNESS EXTENSION, CONJ. DE CABLES	1				
4	90480-01008	GROMMET TAPON	1				
5	60C-8431R-00	STAY, SETTING SOPORTE	1				
6	90465-11M10	CLAMP BRIDA	2				



60C1200-1140

FIG. 15 STARTING MOTOR

MOTOR DE ARRANQUE

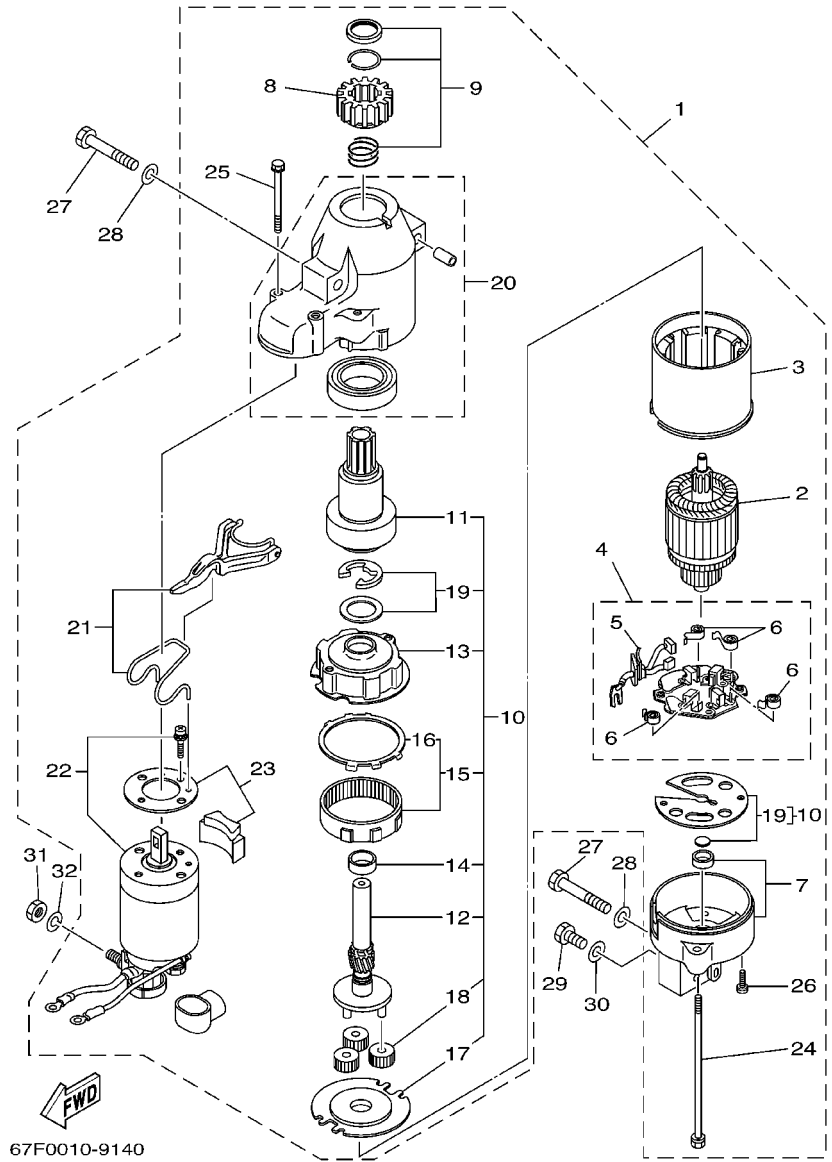


67F0010-9140

REF. NO.	PART NO. CODIGO NO.	DESCRIPTION DESCRIPTION	60D2				REMARKS OBSERVACION
1	67F-81800-02	STARTING MOTOR ASSY MOTOR DE ARRANQUE COMPLETO	1				
2	67F-81850-00	.ARMATURE ASSY .INDUCIDO COMPLETO	1				
3	67F-81810-00	.STATOR ASSY .ESTATOR COMPLETO	1				
4	67F-81840-00	.BRUSH HOLDER ASSY .SOSTEN DE ESCOBILLA COMPLETO	1				
5	67F-81801-00	..BRUSH SET ..JUEGO DE ESCOBILLA	1				
6	67F-81813-00	..SPRING, BRUSH ..RESORTE DE ESCOBILLA	4				
7	67F-81820-00	.REAR BRACKET ASSY .CUBIERTA TRASERA COMPL	1				
8	67F-81808-00	.PINION ASSY .PINON	1				
9	67F-81857-00	.PINION STOPPER SET .JUEGO TAPON PINON	1				
10	67F-81807-00	.GEAR ASSY, STARTING MOTOR .PINON CONJUNTO	1				
11	67F-81832-00	..CLUTCH, OVER RUN ..PINON COMPL	1				
12	67F-81836-00	..SHAFT, PINION ..ARBOL, PINON	1				
13	67F-81821-00	..BRACKET, CENTER 1 ..SOPORTE, CENTRO 1	1				
14	67F-81841-00	..BEARING ..PORTADOR	1				
15	67F-81891-00	..GEAR, RING ..ENGRANAJE ANILLO	1				
16	67F-8183R-00	..GASKET ..EMPAQUETADURA	1				
17	67F-81830-00	..BRACKET, CENTER 2 ..SOPORTE, CENTRO 2	1				
18	67F-8183T-00	..GEAR, IDLER ..ENGRENAJE NEUTRO	3				
19	67F-81809-00	..WASHER KIT ..JUEGO DE ARANDELA	1				
20	67F-81842-00	.COVER .TAPA	1				
21	67F-81839-00	.LEVER ASSY .PALANCA COMPL.	1				
22	67F-81941-01	.STARTER RELAY ASSY .RELE DE ARRANQUE	1				
23	67F-81869-00	.COVER, DUST .CUBIERTA PARA POLVO	1				
24	6K7-81826-10	.BOLT .PERNO	2				
25	67F-81828-00	.BOLT 2 .ARANDELA DE EMPUJE 2	2				
26	67F-81846-00	.SCREW .TORNILLO	2				
27	97013-08045	BOLT PERNO	3				

FIG. 15 STARTING MOTOR

MOTOR DE ARRANQUE



67F0010-9140

REF. NO.	PART NO. CODIGO NO.	DESCRIPTION DESCRIPTION	60D2				REMARKS OBSERVACION
28	92903-08600	WASHER, PLATE ARANDELA	3				
29	97013-08016	BOLT PERNO	1				
30	92903-08600	WASHER, PLATE ARANDELA	1				
31	95333-08600	NUT TUERCA	1				
32	92903-08100	WASHER, SPRING ARANDELA	1				

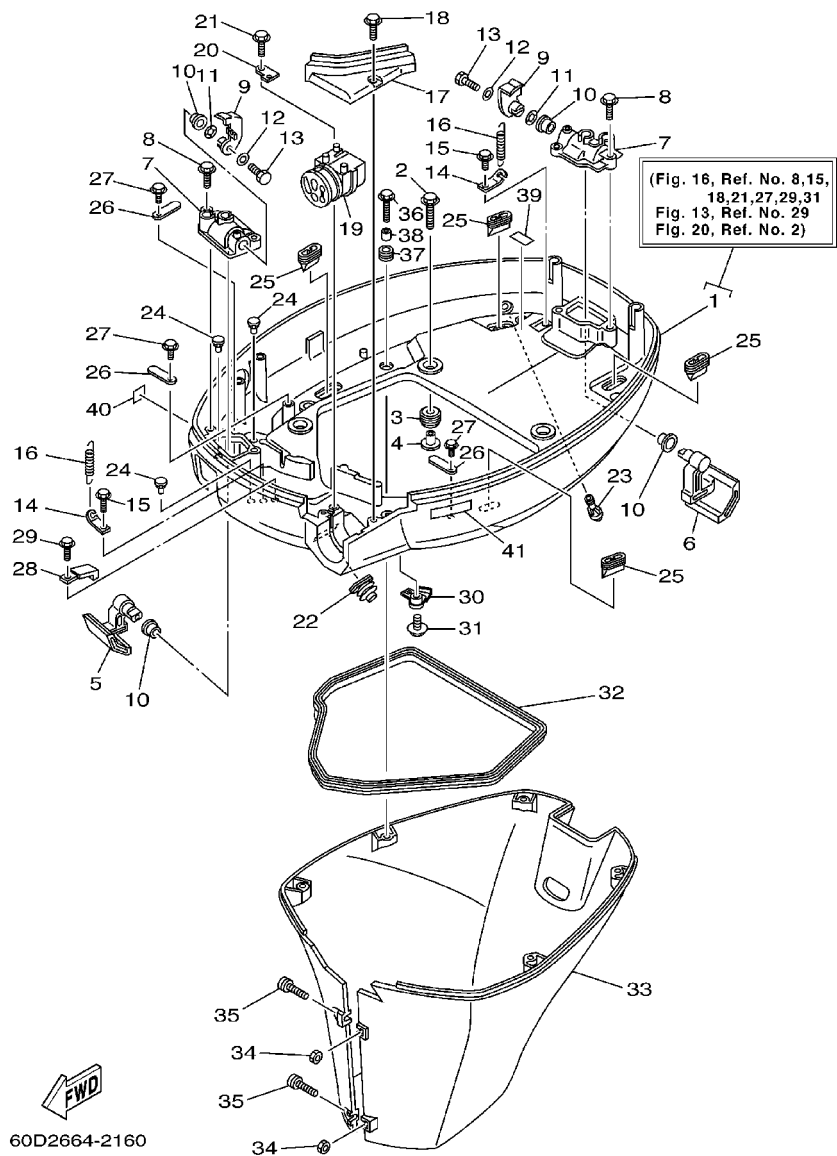


FIG. 16 BOTTOM COWLING

CUBIERTA INFERIOR

REF. NO.	PART NO. CODIGO NO.	DESCRIPTION DESCRIPTION	60D2	REMARKS OBSERVACION
1	67F-42710-00-4D	BOTTOM COWLING ASSY CUBIERTA INFERIOR COMPL.	1	
2	90119-08M22	BOLT, WITH WASHER TORNILLO CON ARANDELA	4	
3	90480-22M15	GROMMET TAPON	4	
4	90387-08M37	COLLAR COLLAR	4	
5	67F-42815-00-4D	LEVER, CLAMP PALANCA ABRAZADERA	1	
6	67F-42816-00-4D	LEVER, CLAMP PALANCA ABRAZADERA	1	
7	67F-42828-00-5B	PLATE, CLAMP PLACA, GRAMPA	2	
8	90109-06M82	BOLT PERNO	4	
9	67F-42818-00	LEVER, CLAMP PALANCA, ABRAZADERA	2	
10	90386-15M73	BUSH BUJE	4	
11	90206-15M18	WASHER, WAVE ARANDELA ONDULADA	2	
12	90201-06068	WASHER, PLATE ARANDELA PLANA	2	
13	97095-06016	BOLT PERNO	2	
14	64D-43144-00	HOOK, SPRING GANCHO	2	
15	90109-06M86	BOLT PERNO	2	
16	90506-16M34	SPRING, TENSION RESORTE DE TENSION	2	
17	67F-42738-00-5B	PLATE, FITTING PLACA DE AJUSTE	1	
18	90109-06M96	BOLT PERNO	2	
19	68V-42725-10	GROMMET TAPON	1	
20	67F-42756-00	STAY, CLAMP SOPORTE DE GRAMPA	1	
21	90109-06M86	BOLT PERNO	1	
22	688-42726-10	GROMMET TAPON	1	
23	6H3-44391-01	NIPPLE, HOSE NIPLE MANGUERA	1	
24	6H4-42748-00	GROMMET TAPON	3	
25	67F-42717-00	RUBBER, SEAL 2 GOMA	4	
26	6E5-82588-00	PLATE PLACA	3	
27	90109-06M81	BOLT PERNO	3	

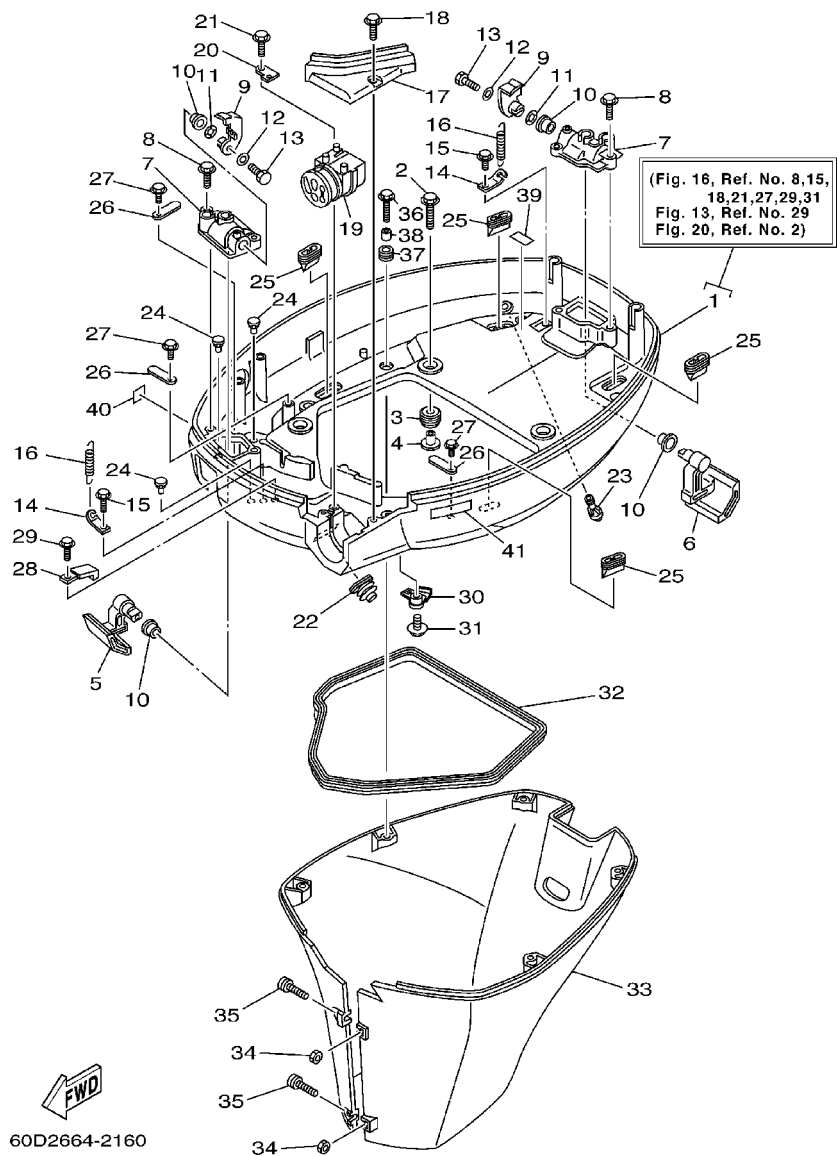


FIG. 16 BOTTOM COWLING

CUBIERTA INFERIOR

REF. NO.	PART NO. CODIGO NO.	DESCRIPTION DESCRIPTION	60D2	REMARKS OBSERVACION
28	90465-08M23	CLAMP BRIDA	1	
29	90109-06M86	BOLT PERNO	1	
30	67F-24367-00	CLAMP, FUEL PIPE 2 GRAMPA DE TUBO DE COMBUST.2	1	
31	90109-06M82	BOLT PERNO	1	
32	61A-42716-00	RUBBER, SEAL 1 SELLO_DE_GOMA 1	1	
33	67F-42741-00-4D	APRON MANDIL	1	
34	95380-06600	NUT, HEXAGON TUERCA	2	
35	90159-06M28	SCREW, WITH WASHER TORNILLO CON VALONA	2	
36	90109-06M80	BOLT PERNO	5	
37	90480-13M24	GROMMET TAPON	5	
38	90387-06M43	COLLAR COLLAR	5	
39	67F-82377-00	LABEL ETIQUETA	1	
40	6A1-28176-00	LABEL, CAUTION ETIQUETA DE PRECAUCION	1	
41	6E3-8257H-00	PLATE, MARK PLACA DE MARCA	1	

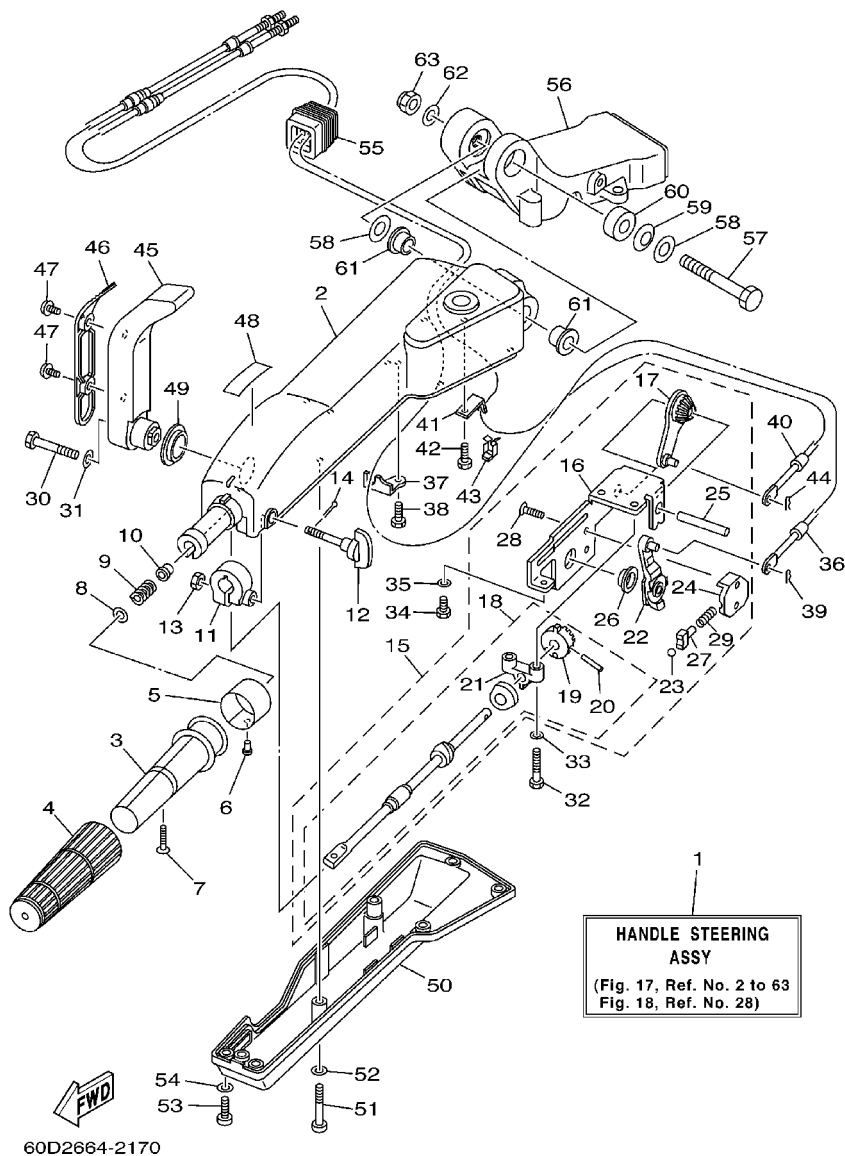
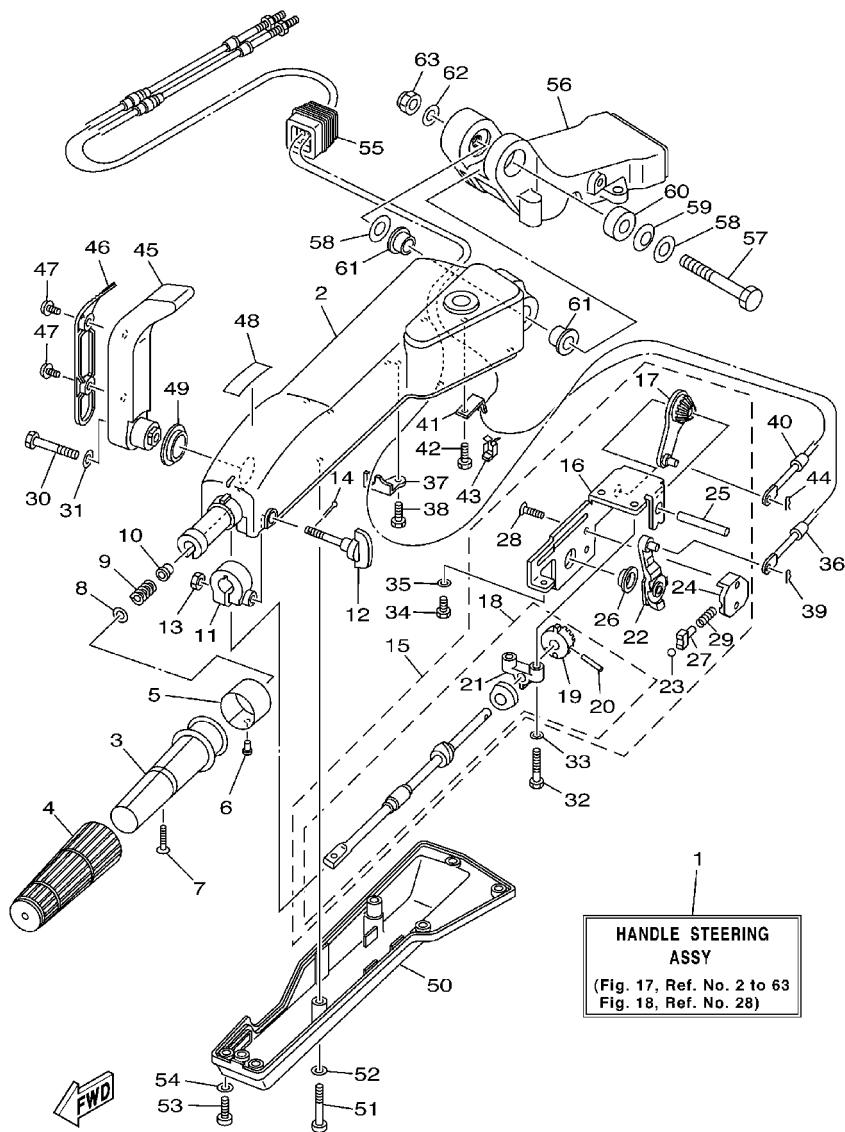


FIG. 17 STEERING 1

DIRECCION 1

REF. NO.	PART NO. CODIGO NO.	DESCRIPTION DESCRIPTION	60D2			REMARKS OBSERVACION
1	67G-W0084-01-4D	HANDLE STEERING ASSY CONJUNTO DE MANIJA	1			AP
2	67G-42111-00-4D	HANDLE, STEERING MANIJA DE DIRECCION	1			
3	664-42119-00	GRIP, STEERING HANDLE MANGO, MANIJA DE DIRRECCION	1			
4	6G1-42177-00	RUBBER, HANDLE HULE DE MANIJA	1			
5	6H2-42137-00	INDICATOR, THROTTLE INDICADOR ACELERADOR	1			
6	90269-02M09	RIVET REMACHE	1			
7	90149-05M13	SCREW TORNILLO DE REGLAJE	1			
8	92903-10600	WASHER, PLATE ARANDELA	1			
9	90501-23215	SPRING, COMPRESSION RESORTE DE COMPRESION	1			
10	90386-08032	BUSH BUJE	1			
11	63D-42126-00	FRICITION, STEERING HANDLE GRIP FRICCION DE MANGO DIRECCION	1			
12	63D-48154-00	KNOB, THROTTLE PERILLA DE ACELERADOR	1			
13	95380-06600	NUT, HEXAGON TUERCA	1			
14	91490-20010	PIN, COTTER PASADOR DE CHAVETA	1			
15	67G-44100-00	SHIFT LINK ASSY ESLABON DE SLECTOR COMLETO	1			
16	67G-44104-00	.PLATE COMP. .PLACA COMPLET	1			
17	67G-48261-00	.ARM, THROTTLE .BRAZO ACELERADOR	1			
18	67G-42115-00	.SHAFT, STEERING HANDLE .EJE MANIJA DE DIRECCION	1			
19	650-42152-00-94	..GEAR ..ENGRANE	1			
20	91690-30025	..PIN, SPRING ..PASADOR DE RESORTE	1			
21	67G-42159-00	..STAY ..SOPORTE	1			
22	67G-44113-00	.CAM PLATE, HANDLE .PLACA DE LA LEVA DEL MANGO	1			
23	63D-48236-00	.ROLLER, DETENT .RODILLO	1			
24	63D-48119-00	.COVER .CUBIERTA	1			
25	67G-42153-00	.SHAFT, THROTTLE CONTROL .EJE CONTROL DEL ACELERADOR	1			
26	67G-44132-00	.BUSHING .BUJE	1			
27	63D-48237-00	.ADAPTOR .ADAPTADOR	1			

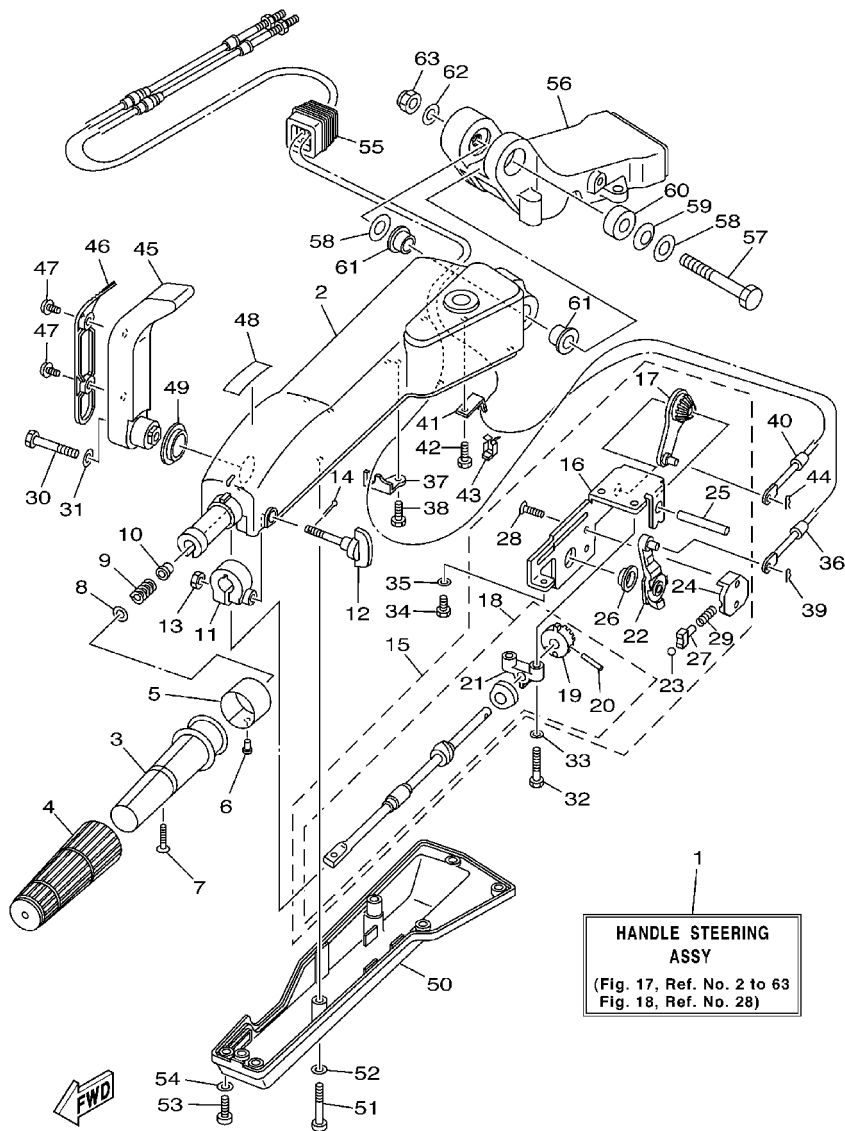


60D2664-2170

FIG. 17 STEERING 1

DIRECCION 1

REF. NO.	PART NO. CODIGO NO.	DESCRIPTION DESCRIPTION	60D2				REMARKS OBSERVACION
28	98785-05014	.SCREW, FLAT HEAD .TORNILLO DE CABEZA PLANA	2				
29	63D-48238-00	.SPRING, DETENT .RESORTE	1				
30	97095-08040	BOLT PERNO	1				
31	92995-08600	WASHER ARANDELA	1				
32	97095-06030	BOLT PERNO	2				
33	92995-06600	WASHER ARANDELA	2				
34	97095-06014	BOLT PERNO	1				
35	92995-06600	WASHER ARANDELA	1				
36	67G-48321-10	CABLE CABLE CONTROL REMOTO	1				
37	67G-48531-00	BRACKET, REMOTE CONTROL 1 SOPORTE DE CONTROL REMOTO	1				
38	97095-06014	BOLT PERNO	1				
39	90468-10005	CLIP PRESILLA	1				
40	67G-26301-10	THROTTLE CABLE ASSY CABLE DE ACELERADOR COMPLETO	1				
41	66R-48538-00	CLAMP, CABLE 1 GRAMPA DE CABLE	1				
42	97095-06014	BOLT PERNO	1				
43	63D-48538-00	CLAMP, CABLE 1 GRAMPA DE CABLE	1				
44	90468-10005	CLIP PRESILLA	1				
45	67G-44159-00-4D	HANDLE, GEAR SHIFT MANIJA DE CAMBIO DE MARCHAS	1				
46	67G-44173-00	LEVER, SHIFT CONTROL PALANCA CONTROL CAMBIOS	1				
47	90159-06M18	SCREW, WITH WASHER TORNILLO CON VALONA	2				
48	6G8-44191-00	INDICATOR, SHIFT INDICADOR DE CAMBIOS	1				
49	90386-26MA3	BUSH BUJE	1				
50	67G-42131-00	COVER, HANDLE STEERING CUBIERTA MANIJA DIRRECCION	1				
51	97885-06040	SCREW, PAN HEAD TORNILLO DE CABEZA CON PLANA	2				
52	92995-06600	WASHER ARANDELA	2				
53	97885-06016	SCREW, PAN HEAD TORNILLO DE CABEZA CON PLANA	5				
54	92995-06600	WASHER ARANDELA	5				



60D2664-2170

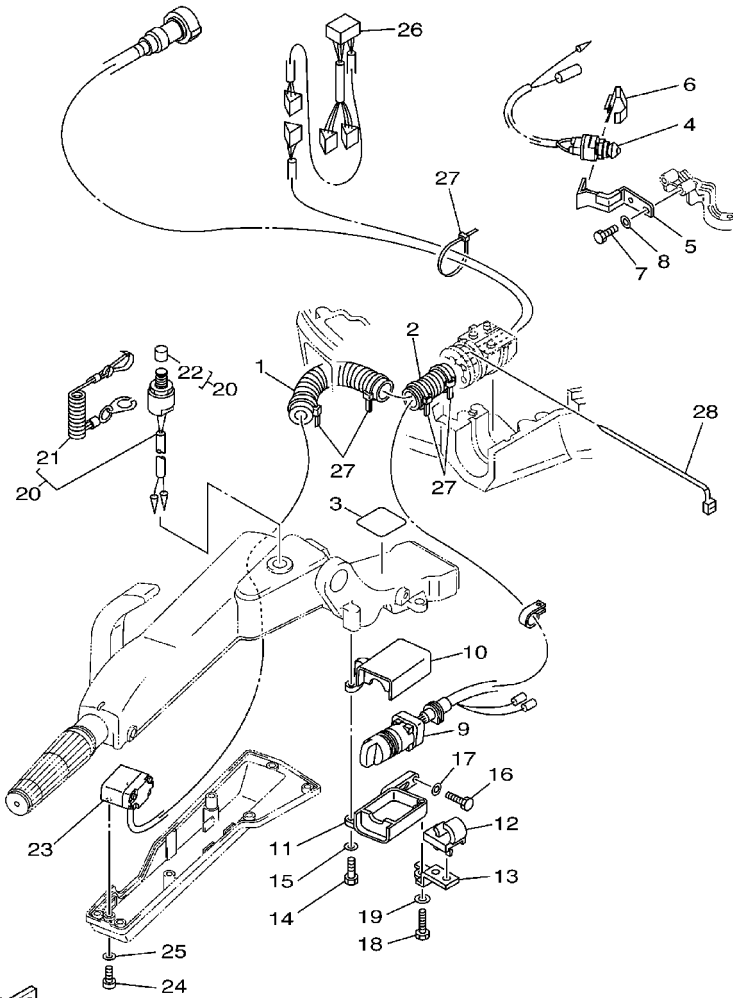
FIG. 17 STEERING 1

DIRECCION 1

REF. NO.	PART NO. CODIGO NO.	DESCRIPTION DESCRIPTION	60D2				REMARKS OBSERVACION
55	63D-42725-00	GROMMET TAPON	1				
56	67G-42121-00-4D	BRACKET SOPORTE	1				
57	90101-12M09	BOLT TORNILLO	1				
58	92990-12200	WASHER, PLAIN ARANDELA	2				
59	90206-12M22	WASHER, WAVE ARANDELA ONDULADA	1				
60	90387-12M02	COLLAR COLLAR	1				
61	90386-12M93	BUSH BUJE	2				
62	92990-12600	WASHER, PLATE ARANDELA	1				
63	90185-12M12	NUT, SELF-LOCKING TUERCA AUTOBLOCANTE	1				

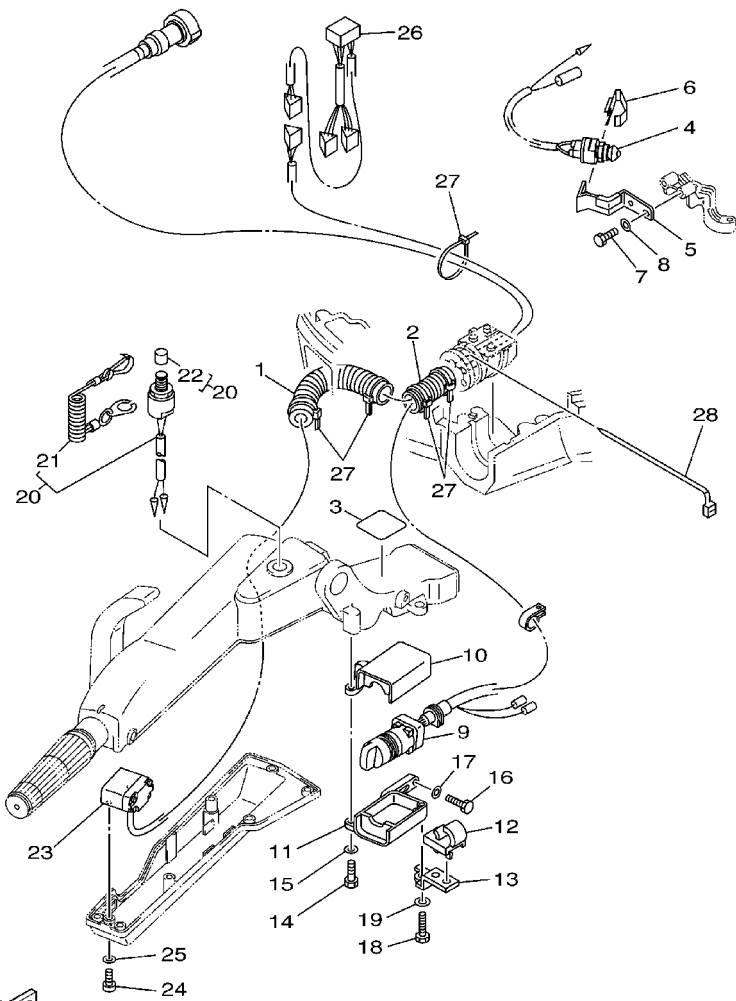
FIG. 18 STEERING 2

DIRECCION 2



60C2664-2180

REF. NO.	PART NO. CODIGO NO.	DESCRIPTION DESCRIPTION	60D2		REMARKS OBSERVACION
1	90446-24M79	HOSE TUBO RESEIRADERO	1		AP
2	6K3-83557-00	TUBE ENCHUFE DE ACEITE	1		AP
3	67G-42735-00	PROTECTOR SEGURO RONDANA	1		AP
4	688-82540-11	NEUTRAL SWITCH ASSY INTERRUPTOR NEUTRAL COMPL	1		AP
5	67G-82554-01	STAY, NEUTRAL SWITCH SOPORTE INTERRUPTOR DE NEUTRAL	1		AP
6	62Y-82555-00	DAMPER, MAIN SWITCH 1 AMORT.DE INTER.PPAL.1	1		AP
7	97095-06014	BOLT PERNO	2		AP
8	92995-06600	WASHER ARANDELA	2		AP
9	67G-82510-20	MAIN SWITCH ASSY CONJUNTO DE LLAVE IGNICION	1		AP
10	63D-8252E-01-4D	COVER, MAIN SWITCH CUBIELA INTERRUPTOR PRINC.1	1		AP
11	63D-8252F-01-4D	COVER, MAIN SWITCH CUBIELA INTERRUPTOR PRINC.2	1		AP
12	63D-24367-00	CLAMP, FUEL PIPE 2 GRAMPA DE TUBO DE COMBUST.2	1		AP
13	63D-24364-00	STAY SOPORTE	1		AP
14	97095-06025	BOLT PERNO	1		AP
15	92995-06600	WASHER ARANDELA	1		AP
16	97095-06020	BOLT PERNO	1		AP
17	92995-06600	WASHER ARANDELA	1		AP
18	97095-06030	BOLT PERNO	1		AP
19	92995-06600	WASHER ARANDELA	1		AP
20	63D-82575-00	ENGINE STOP SWITCH ASSY INTERRUPTOR DE PARADA COMPL	1		AP
21	682-82556-00	.STOPPER .RETENER	1		
22	689-8257Y-00	.CAP .CASQUILLO	1		
23	67G-82563-00	TRIM & TILT SWITCH ASSY INTERRUPTOR DE INCLINACION	1		AP
24	97885-06016	SCREW, PAN HEAD TORNILLO DE CABEZA CON PLANA	2		AP
25	92995-06600	WASHER ARANDELA	2		AP
26	63D-83728-00	CONNÉCTOR ASSY CONEXION COMPLET	1		AP
27	90465-13M24	CLAMP BRIDA	5		AP

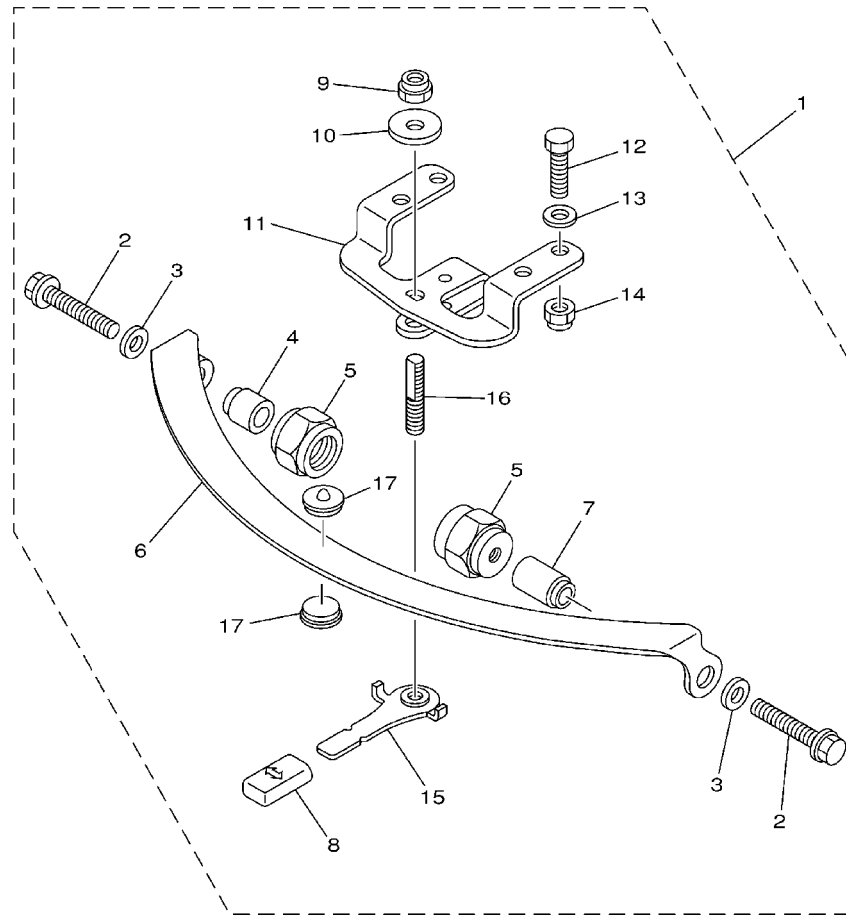


60C2664-2180

FIG. 18 STEERING 2

DIRECCION 2

REF. NO.	PART NO. CODIGO NO.	DESCRIPTION DESCRIPTION	60D2	REMARKS OBSERVACION
28	90465-13M30	CLAMP BRIDA	1	AP

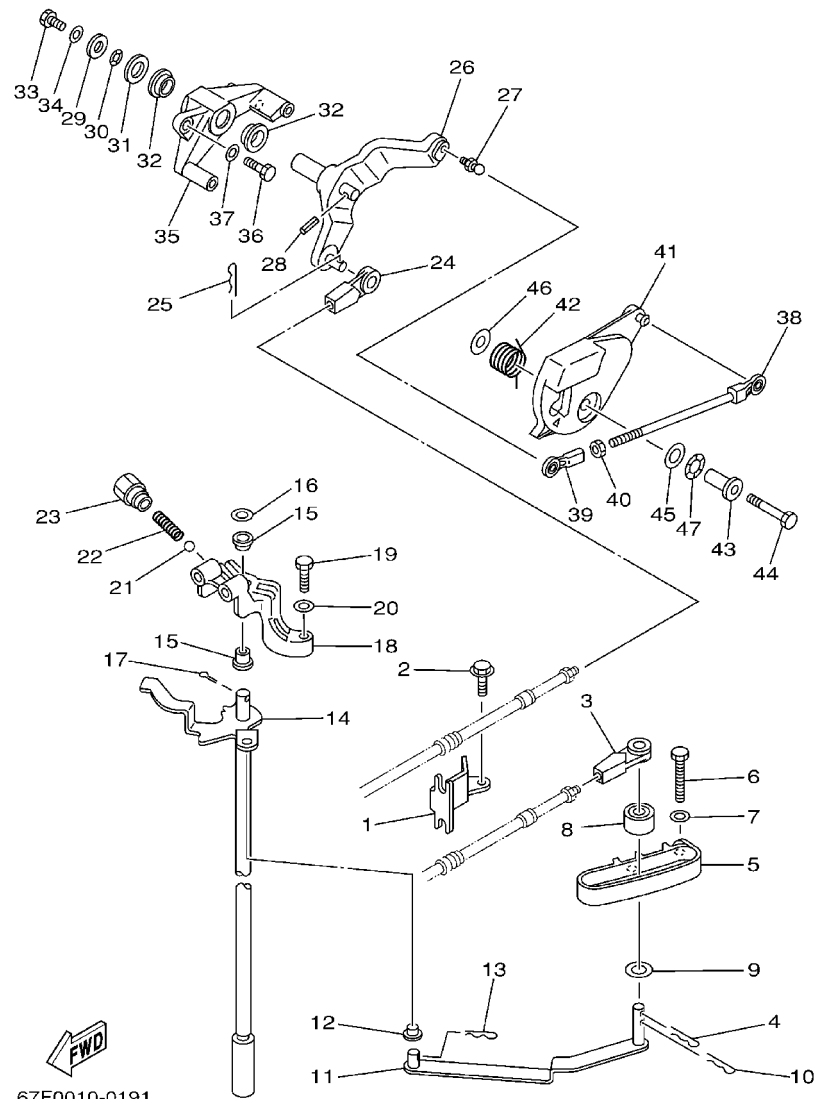


FWD
67F1100-2200

FIG. 19 STEERING FRICTION

FRICCION DE DIRECCION

REF. NO.	PART NO. CODIGO NO.	DESCRIPTION DESCRIPTION	60D2			REMARKS OBSERVACION
1	67G-42508-00	STEERING FRICTION ASSY DIRECCION FRICCION COMP.	1			AP
2	90119-08M74	.BOLT, WITH WASHER .TORNILLO CON ARANDELA	2			
3	90201-08M01	.WASHER, PLATE .ARANDELA PLANA	2			
4	67G-42541-00	.DAMPER .HULE	1			
5	67G-42546-00	.NUT .TUERCA	2			
6	63D-42527-00	.PLATE, FRICTION .PLACA DE FRICCION	1			
7	67G-42541-10	.DAMPER .HULE	1			
8	682-43318-01	.COVER .CUBIERTA	1			
9	90185-10M14	.NUT, SELF-LOCKING .TUERCA AUTOBLOCANTE	1			
10	90201-10M76	.WASHER, PLATE .ARANDELA PLANA	1			
11	67G-42526-00	.PLATE, FRICTION .PLACA DE FRICCION	1			
12	97095-08025	.BOLT .PERNO	2			
13	92995-08600	.WASHER .ARANDELA	2			
14	90185-08057	.NUT, SELF-LOCKING .TUERCA AUTOBLOCANTE	2			
15	67G-42561-00	KNOB, STEERING LOCK PERILLA	1			
16	67G-42562-00	.SHAFT, STEERING LOCK .EJE, CERRADURA DE DIRECCION	1			
17	63D-42528-00	.PLATE, FRICTION .PIEZA DE FRICCION	2			

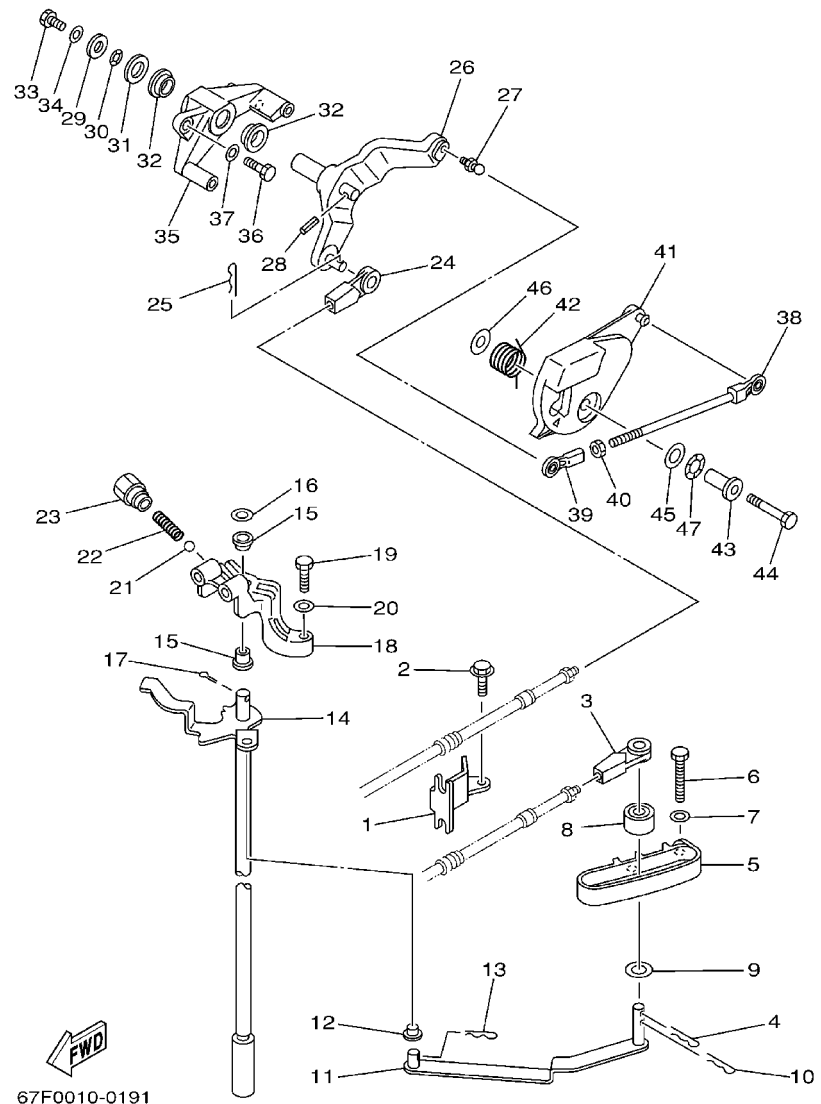


67F0010-0191

FIG. 20 CONTROL

CONTROL

REF. NO.	PART NO. CODIGO NO.	DESCRIPTION DESCRIPTION	60D2			REMARKS OBSERVACION
1	67F-48538-00	CLAMP, CABLE 1 GRAMPA DE CABLE	1			
2	90109-06M86	BOLT PERNO	1			
3	663-48344-00	CABLE END, REMOTE CONTROL BASE CONTROL	1			
4	90468-18008	CLIP PRESILLA	1			
5	67F-44117-00	BRACKET SOPORTE	1			
6	97095-06040	BOLT PERNO	2			
7	92995-06600	WASHER ARANDELA	2			
8	688-44122-00	BUSHING, SHIFT ROD LEVER BUJE PALANCA VARILLA DE CAMBIO	1			
9	90202-07M07	WASHER, PLATE ARANDELA DE PLANA	1			
10	90468-18008	CLIP PRESILLA	1			
11	67F-44121-00	LEVER, SHIFT ROD PALANCA VARILLA CAMBIOS	1			
12	90386-06M12	BUSH BUJE	1			
13	90468-18008	CLIP PRESILLA	1			
14	67F-44120-10	HANDLE GEAR SHIFT ASSY MANIJA DE CAMBIO COMPL	1			L
	67F-44120-30	HANDLE GEAR SHIFT ASSY MANIJA DE CAMBIO COMPL	1			X
15	90386-90M90	BUSH BUJE	2			
16	90201-09M02	WASHER, PLATE ARANDELA PLANA	1			
17	91490-20015	PIN, COTTER PASADOR DE CHAVETA	1			
18	67F-44118-00	BRACKET SOPORTE	1			
19	97075-06025	BOLT PERNO	2			
20	92995-06600	WASHER ARANDELA	2			
21	93501-04M02	BALL BOLA	1			
22	90501-12082	SPRING, COMPRESSION RESORTE DE COMPRESION	1			
23	648-42715-00	BUSHING BUJE	1			
24	663-48344-00	CABLE END, REMOTE CONTROL BASE CONTROL	1			
25	90468-18008	CLIP PRESILLA	1			
26	67F-42154-00-94	LEVER, THROTTLE CONTROL PALANCA CONTROL ACELERADOR	1			



67F0010-0191

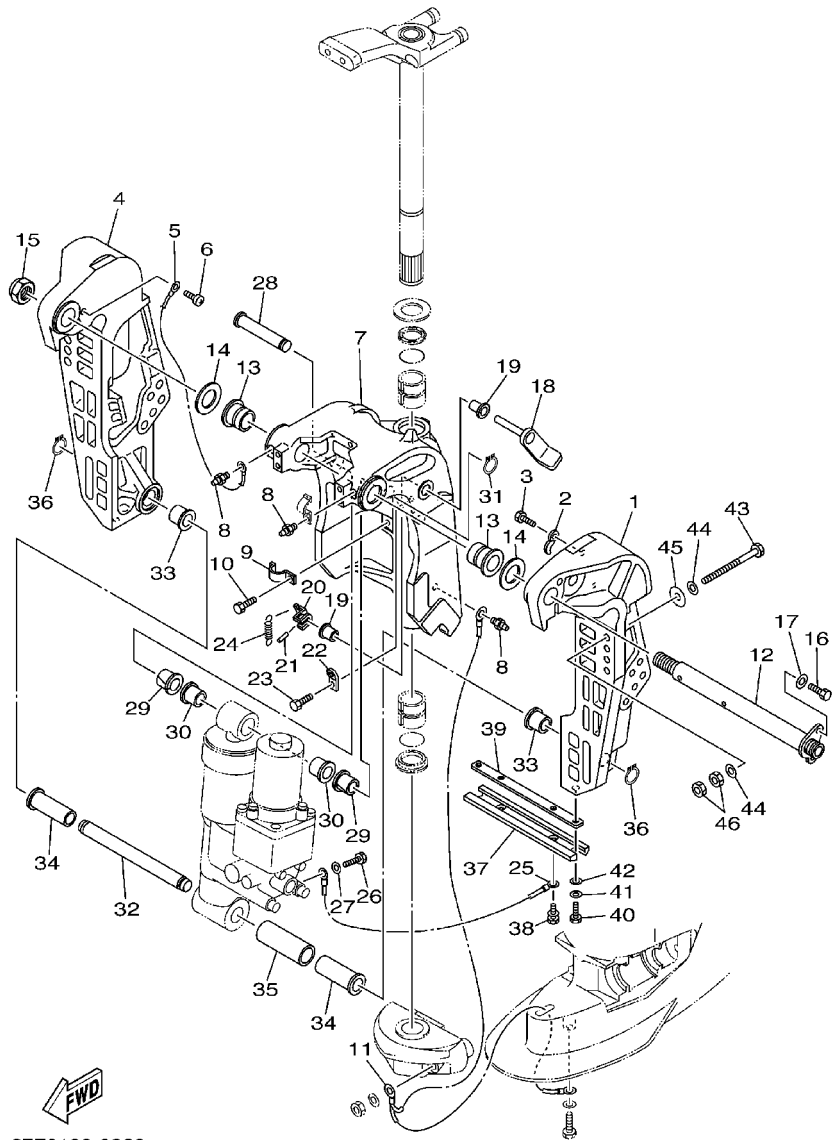
FIG. 20 CONTROL

CONTROL

REF. NO.	PART NO. CODIGO NO.	DESCRIPTION DESCRIPTION	60D2				REMARKS OBSERVACION
27	663-85518-00	JOINT, BALL CONECTOR	1				
28	91690-30018	PIN, SPRING PASADOR DE RESORTE	1				
29	90201-06068	WASHER, PLATE ARANDELA PLANA	1				
30	90206-12M00	WASHER, WAVE ARANDELA ONDULADA	1				
31	92990-12600	WASHER, PLATE ARANDELA	1				
32	90386-12069	BUSH BUJE	2				
33	97095-06012	BOLT PERNO	1				
34	92995-06600	WASHER ARANDELA	1				
35	67F-41661-00-94	BRACKET SOPORTE	1				
36	97095-06025	BOLT PERNO	2				
37	92995-06600	WASHER ARANDELA	2				
38	67F-41237-00	JOINT, LINK CONECTOR	1				
39	682-41237-00	JOINT, LINK CONECTOR	1				
40	95380-05600	NUT TUERCA	1				
41	67F-41213-01	CAM, ACCEL. LEVA ACELERADOR	1				
42	67F-44135-00	SPRING RESORTE	1				
43	90387-06M82	COLLAR COLLAR	1				
44	97095-06035	BOLT PERNO	1				
45	90201-10M02	WASHER, PLATE ARANDELA PLANA	1				
46	90201-06M31	WASHER, PLATE ARANDELA PLANA	1				
47	90206-10M04	WASHER, WAVE ARANDELA ONDULADA	1				

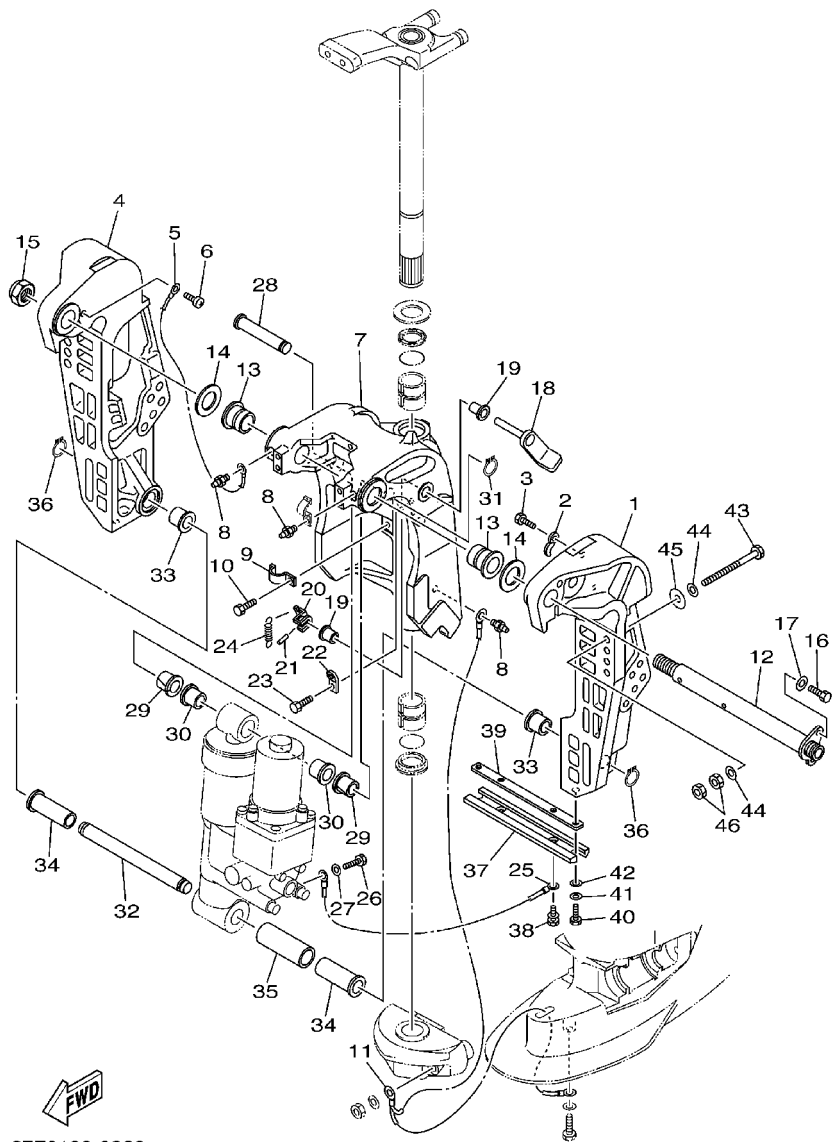
FIG. 21 BRACKET 1

SOPORTE 1



67F0100-0220

REF. NO.	PART NO. CODIGO NO.	DESCRIPTION DESCRIPTION	60D2			REMARKS OBSERVACION
1	67F-43111-00-4D	BRACKET, CLAMP SOPORTE DE LA ABRAZADERA	1			
2	90465-10M77	CLAMP BRIDA	2			
3	97095-06010	BOLT PERNO	2			
4	67F-43112-00-4D	BRACKET, CLAMP SOPORTE DE LA ABRAZADERA	1			
5	6E5-82148-00	WIRE, LEAD 4 CABLE CONDUCTOR 4	1			
6	97880-06012	SCREW, PAN HEAD TORNILLO DE CABEZA CON PLANA	1			
7	67F-43311-10-4D	BRACKET, SWIVEL 1 SOPORTE GIRATORIO 1	1			
8	93700-06M03	NIPPLE, GREASE NIPLE DE ENGRASAR	3			
9	90465-08M63	CLAMP BRIDA	1			
10	97095-06010	BOLT PERNO	1			
11	67F-82127-00	WIRE, LEAD 2 CABLE CONDUCTOR 2	1			
12	64E-43131-01	BOLT, CLAMP BRACKET TORNILLO DE ABRAZADERA DEL SOP	1			
13	90386-25M31	BUSH BUJE	2			
14	90201-26M59	WASHER, PLATE ARANDELA PLANA	2			
15	90185-22M11	NUT, SELF-LOCKING TUERCA AUTOBLOCANTE	1			
16	97095-08020	BOLT PERNO	1			
17	92995-08100	WASHER ARANDELA	1			
18	67F-43181-00	LEVER, TILT STOP PALANCA TOPE INCLINACION	1			
19	90386-10M16	BUSH BUJE	2			
20	67F-43631-00	LEVER, TILT PALANCA DE INCLINACION	1			
21	91690-30020	PIN, SPRING PASADOR DE RESORTE	1			
22	66T-43144-00	HOOK, SPRING GANCHO	1			
23	97095-06010	BOLT PERNO	1			
24	90506-14M24	SPRING, TENSION RESORTE DE TENSION	1			
25	67F-82148-00	WIRE, LEAD 4 CABLE CONDUCTOR 4	1			
26	97095-06010	BOLT PERNO	1			
27	92995-06600	WASHER ARANDELA	1			



67F0100-0220

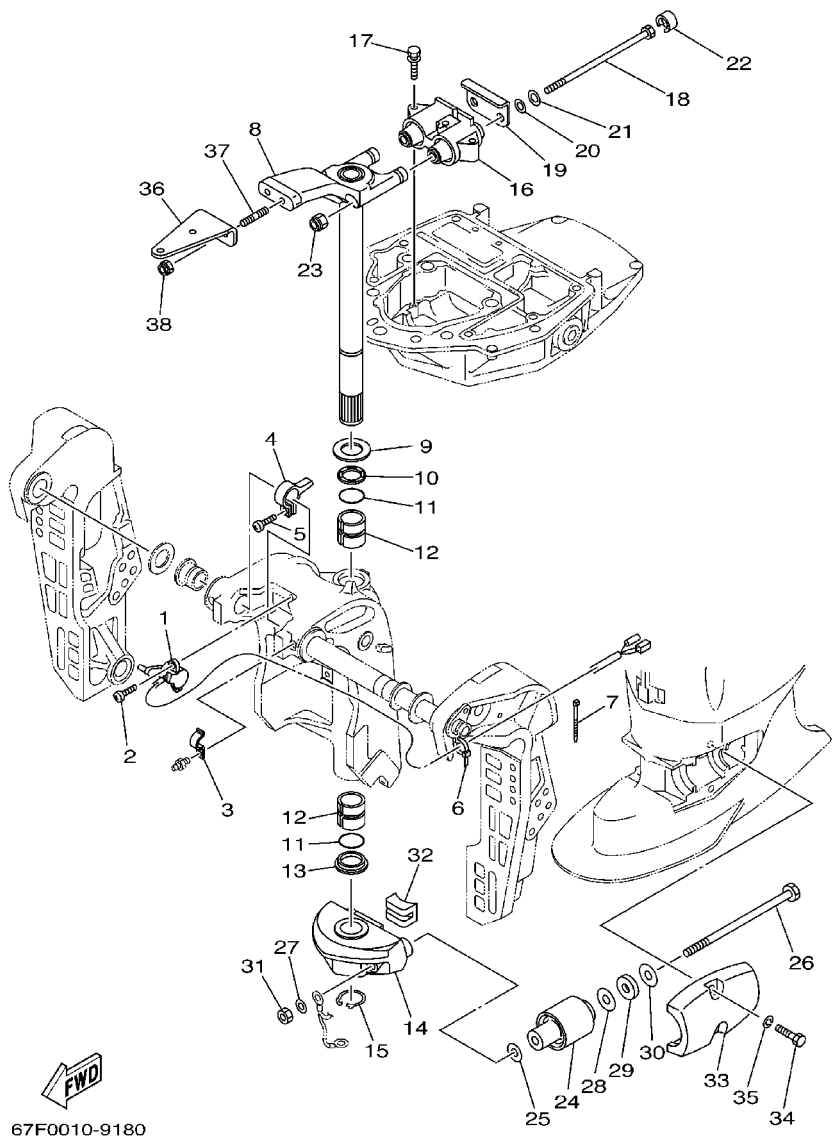
FIG. 21 BRACKET 1

SOPORTE 1

REF. NO.	PART NO. CODIGO NO.	DESCRIPTION DESCRIPTION	60D2				REMARKS OBSERVACION
28	67F-43126-00	PIN, UPPER SHOCK MOUNT PASADOR DE AMORTIGUADOR SUPERIOR	1				
29	90386-18M35	BUSH BUJE	2				
30	90386-18M63	BUSH BUJE	2				
31	93410-18M05	CIRCLIP BOLA	1				
32	67F-43818-00	PIN, LOWER SHOCK MOUNT PASADOR AMORTIGUADOR INFERIOR	1				
33	90387-18M01	COLLAR COLLAR	2				
34	90386-18MA0	BUSH BUJE	2				
35	90387-22M01	COLLAR COLLAR	1				
36	93410-18M05	CIRCLIP BOLA	2				
37	6H1-45251-03	ANODE CATODE	1				
38	90119-06M81	BOLT, WITH WASHER TORNILLO CON ARANDELA	2				
39	6H1-44526-00	PLATE PLACA 1	1				
40	97095-06016	BOLT PERNO	2				
41	92995-06100	WASHER, SPRING ARANDELA	2				
42	92995-06600	WASHER ARANDELA	2				
43	90101-12M03	BOLT (L:115MM) TORNILLO (L:115MM)	4				
44	90201-13M01	WASHER, PLATE ARANDELA PLANA	8				
45	90201-12M05	WASHER, PLATE ARANDELA PLANA	4				
46	95380-12600	NUT TUERCA	8				

FIG. 22 BRACKET 2

SOPORTE 2

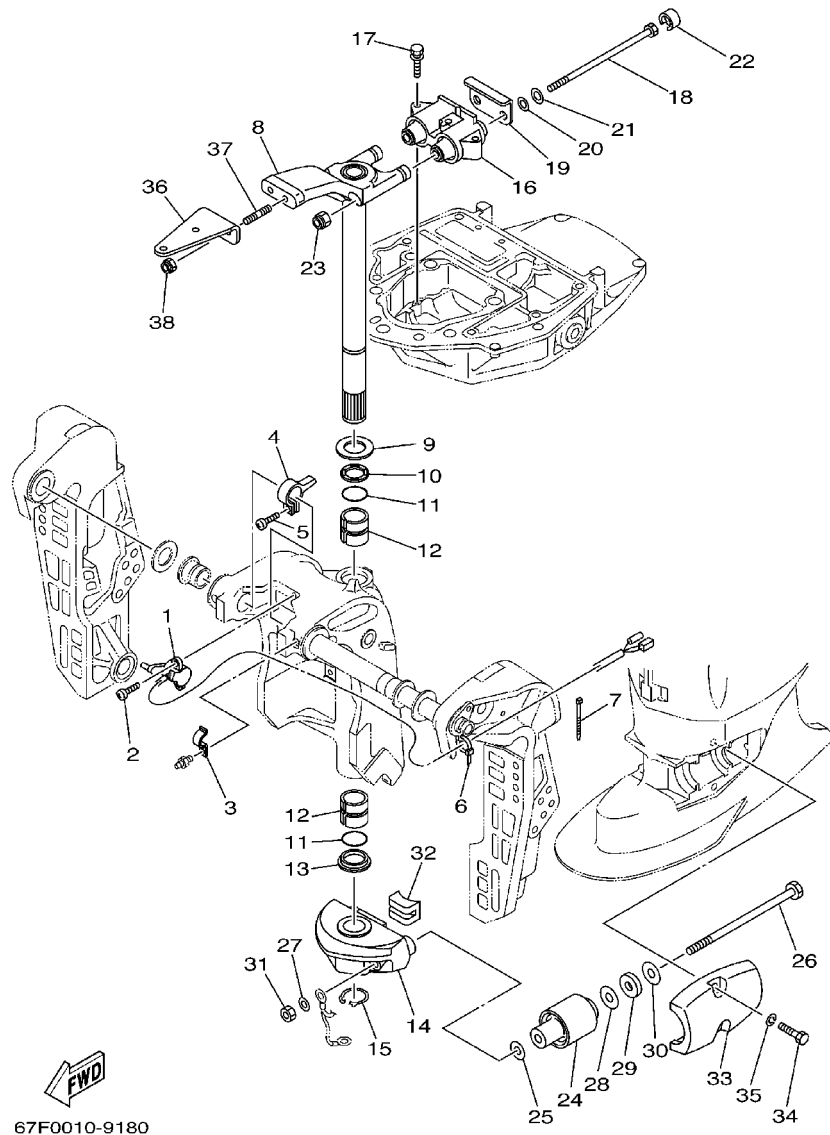


67F0010-9180

REF. NO.	PART NO. CODIGO NO.	DESCRIPTION DESCRIPTION	60D2			REMARKS OBSERVACION
1	64E-83672-02	TRIM SENDER TRANSMISOR DE INCLINADOR	1			
2	97885-06016	SCREW, PAN HEAD TORNILLO DE CABEZA CON PLANA	2			
3	90465-08M63	CLAMP BRIDA	1			
4	64E-43139-02	CAM, TRIM SENDER LEVA TRANSMISOR DE INCLINDOR	1			
5	97780-60525	SCREW, TAPPING TORNILLO ROSCA HEMBRA	1			
6	90465-11M10	CLAMP BRIDA	1			
7	90465-11M10	CLAMP BRIDA	3			
8	67F-42510-10-4D	STEERING BRACKET ASSY SOPORTE DIRECCION COMPL.	1			
9	90201-30M00	WASHER, PLATE ARANDELA PLANA	1			
10	90386-30M78	BUSH BUJE	1			
11	93210-29M94	O-RING ANILLO O	2			
12	90386-30M77	BUSH BUJE	2			
13	90386-30M60	BUSH BUJE	1			
14	67F-44551-00-4D	HOUSING, LOWER MOUNT RUBBER CAJA AMORTIGUADOR INFERIOR HU	1			
15	93410-28M06	CIRCLIP BOLA	1			
16	67F-44514-00-94	MOUNT DAMPER, UPPER SIDE AMORTIGUADOR LADO SUPERIOR	1			
17	97575-08445	BOLT, WITH WASHER PERNO CON ARANDELA RONDELLE	3			
18	90109-12M37	BOLT PERNO	2			
19	67F-44526-00	PLATE PLACA 1	1			
20	90201-12M16	WASHER, PLATE ARANDELA PLANA	2			
21	90201-13M01	WASHER, PLATE ARANDELA PLANA	2			
22	67F-44533-00	DAMPER, UPPER MOUNT RUBBER AMORTIGUADOR SUPERIOR	2			
23	95780-12300	NUT, FLANGE TUERCA DE BRIDA	2			
24	67F-44555-00-94	MOUNT DAMPER, LOWER SIDE AMORTIGUADOR DE HULE LADO INFE	2			
25	90201-13M03	WASHER, PLATE ARANDELA PLANA	2			
26	90109-12M97	BOLT PERNO	2			
27	90201-12M16	WASHER, PLATE ARANDELA PLANA	2			

FIG. 22 BRACKET 2

SOPORTE 2

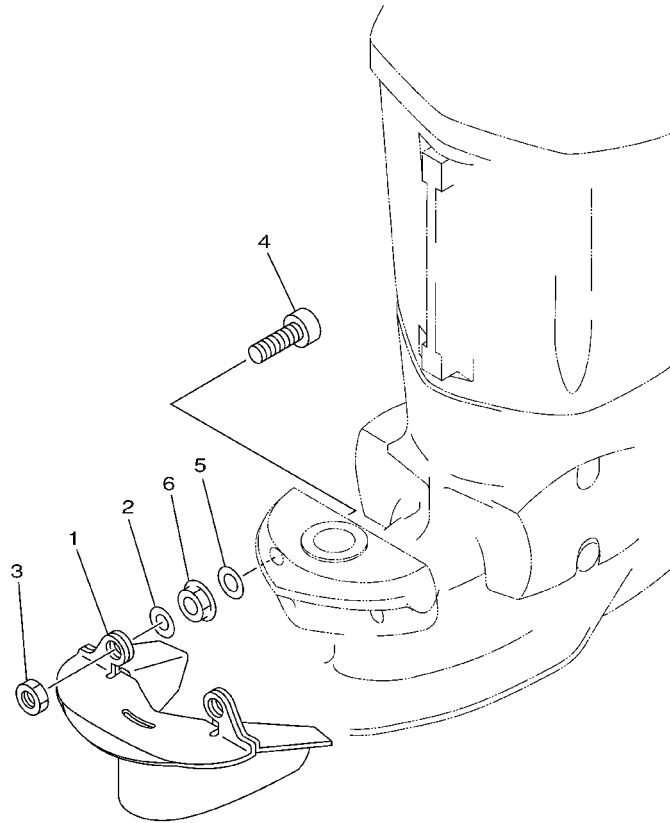


67F0010-9180

REF. NO.	PART NO. CODIGO NO.	DESCRIPTION DESCRIPTION	60D2			REMARKS OBSERVACION
28	90201-24M02	WASHER, PLATE ARANDELA PLANA	2			
29	90202-25M04	WASHER, PLATE ARANDELA DE PLANA	2			
30	90201-13M19	WASHER, PLATE ARANDELA PLANA	2			
31	95380-12700	NUT TUERCA	2			
32	67F-44575-00	DAMPER, LOWER MOUNT RUBBER AMORTIGUADOR INFERIOR	1			
33	67F-44553-00-4D	COVER, LOWER MOUNT CUBIERTA, AMORTIGUADOR INFERIOR	2			
34	97075-10040	BOLT PERNO	4			
35	92995-10100	WASHER ARANDELA	4			
36	67F-48511-00-4D	HOOK, STEERING GANCHO DIRECCION	1			
37	90116-10175	BOLT, STUD ESPARRAGO	2			
38	90185-10051	NUT, SELF-LOCKING TUERCA AUTOBLOCANTE	2			

FIG. 23 OPTIONAL PARTS

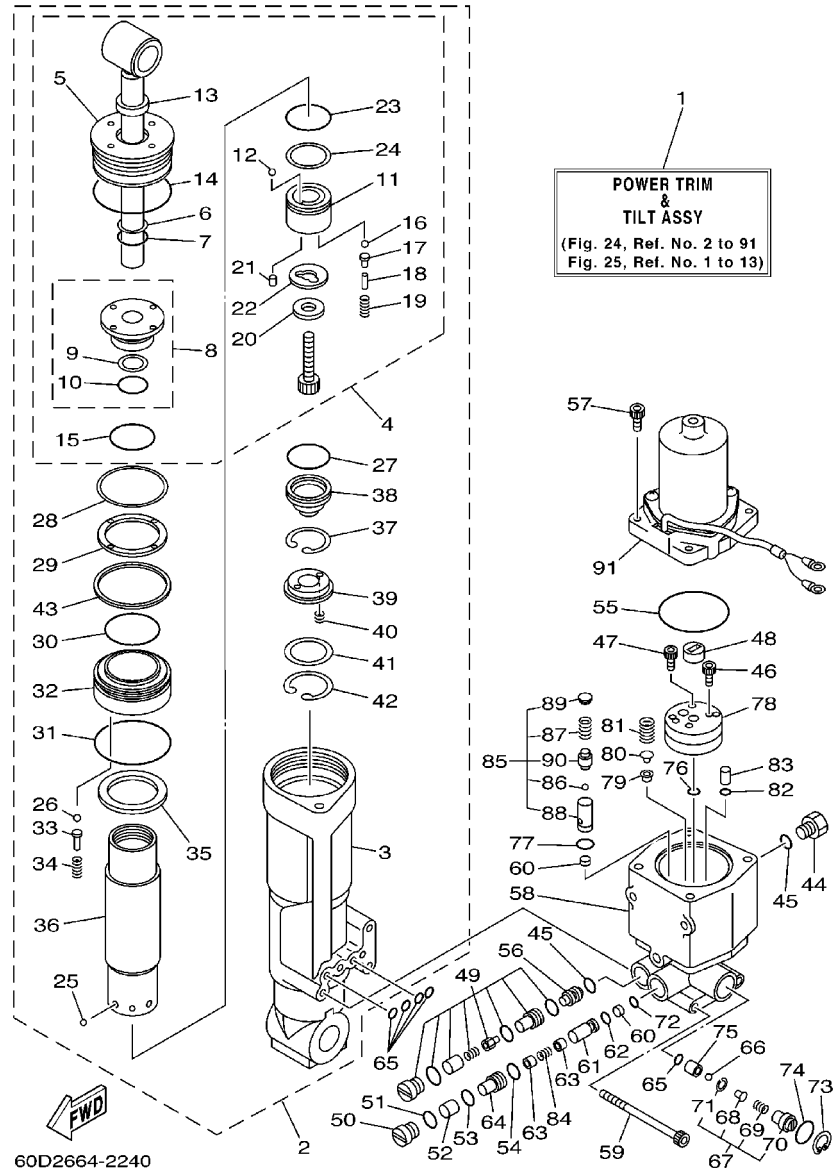
PARTES OPCIONALES



REF. NO.	PART NO. CODIGO NO.	DESCRIPTION DESCRIPTION	60D2			REMARKS OBSERVACION
1	67F-45180-00-4D	PLATE, SPLASH PLACA DESPIDENTE DE AGUA	1			AP
2	90201-12M01	WASHER, PLATE ARANDELA PLANA	2			AP
3	95380-12700	NUT TUERCA	2			AP
4	90110-12M00	BOLT, HEXAGON SOCKET HEAD TORNILLO ALLEN	2			AP
5	90201-12M16	WASHER, PLATE ARANDELA PLANA	2			AP
6	95780-12300	NUT, FLANGE TUERCA DE BRIDA	2			AP

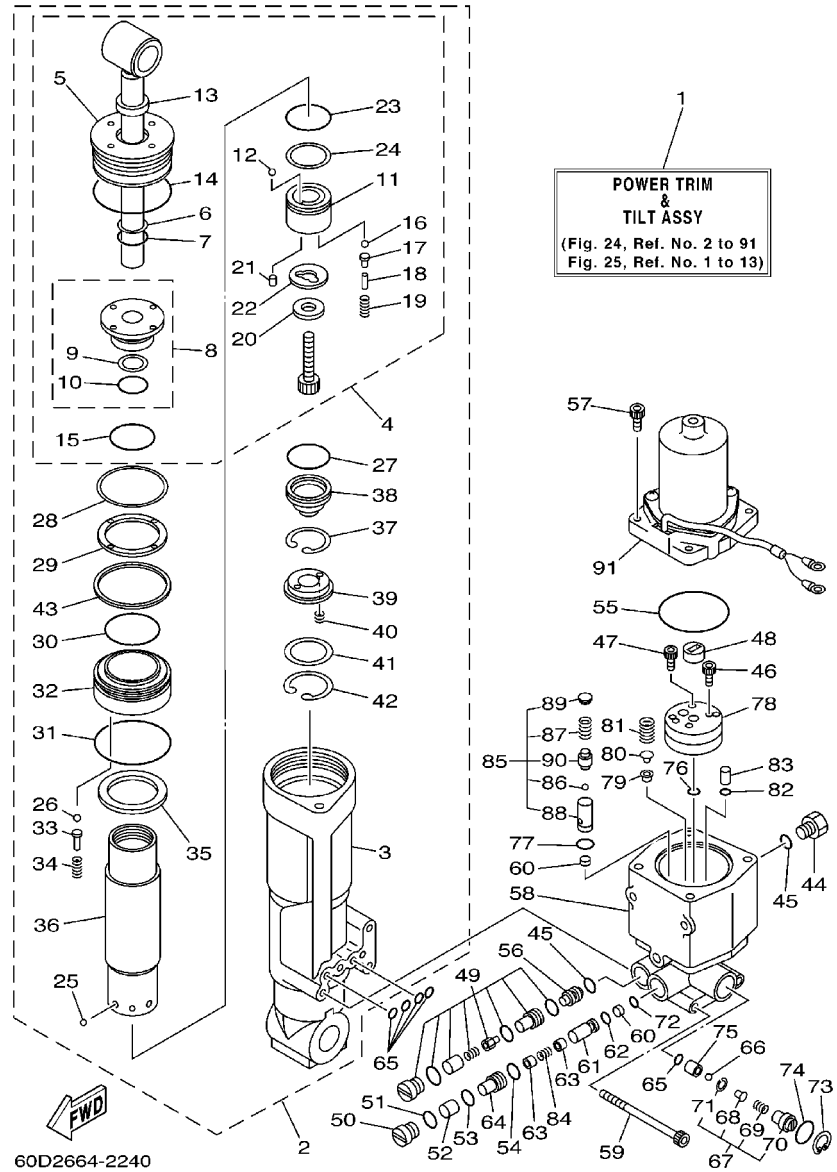

67F0100-0240

FIG. 24 POWER TRIM & TILT ASSY 1 COMPONER Y PODER VARILLA 1



REF. NO.	PART NO. CODIGO NO.	DESCRIPTION DESCRIPTION	60D2	REMARKS OBSERVACION
1	67F-43800-03-4D	POWER TRIM & TILT ASSY ELEVADOR HIDRAULICO COMPL	1	
2	67F-43840-02	POWER TILT ASSY CONJUNTO COMPONER	1	
3	67F-4380K-00	.CYLINDER, TILT SUB ASSY .CILINDRO, INCLINACION	1	
4	67F-43810-01	.TILT PISTON SUB ASSY .ELEVADOR SUB-PISTON COMPL	1	
5	67F-43821-00	..SCREW, TRIM CYLINDER END ..TORNILLO CILINDRUO EXTREMO	1	
6	6H1-43872-10	..RING, BACK UP ..ANILLO	1	
7	93210-18397	..O-RING ..ANILLO O	1	
8	67F-4380R-00	..CYLINDER END SUB ASSY ..CILINDRO EXTREMO SUB-COMPL	1	
9	6H1-43872-10	...RING, BACK UP ...ANILLO	1	
10	93210-18397	...O-RING ...ANILLO O	1	
11	67F-4385A-01	..PISTON, TILT ..PISTON INCLINACION	1	
12	93501-08001	..BALL ..BOLA	1	
13	6H1-43812-00	..SEAL, DUST ..SELLO DE POLVO	1	
14	67F-43861-00	..O-RING ..ANILLO EN O 1	1	
15	62X-43862-00	..O-RING ..ANILLO EN O 2	1	
16	93501-08001	..BALL ..BOLA	2	
17	65W-4386A-00	..PIN, ABSORBER VALVE ..PASADOR VALVULA ABSORBER	2	
18	688-4386F-00	..PIN, STRAIGHT ..ANILLO	2	
19	65W-43853-00	..SPRING, MAIN VALVE ..RESORTE	2	
20	67F-43893-00	..WASHER ..RONDANA	1	
21	93602-07244	..PIN, DOWEL ..PASADOR DE CLAVIJA	2	
22	67F-22435-00	..PLATE, VALVE 2 ..PLACA DE VALVULA 2	1	
23	93210-29375	..O-RING ..ANILLO O	1	
24	62X-43871-00	..RING, BACK UP ..ANILLO	1	
25	93503-16003	.BALL .BOLA	6	
26	93501-08001	.BALL .BOLA	5	
27	67F-43863-00	.O-RING .ANILLO EN O 3	1	

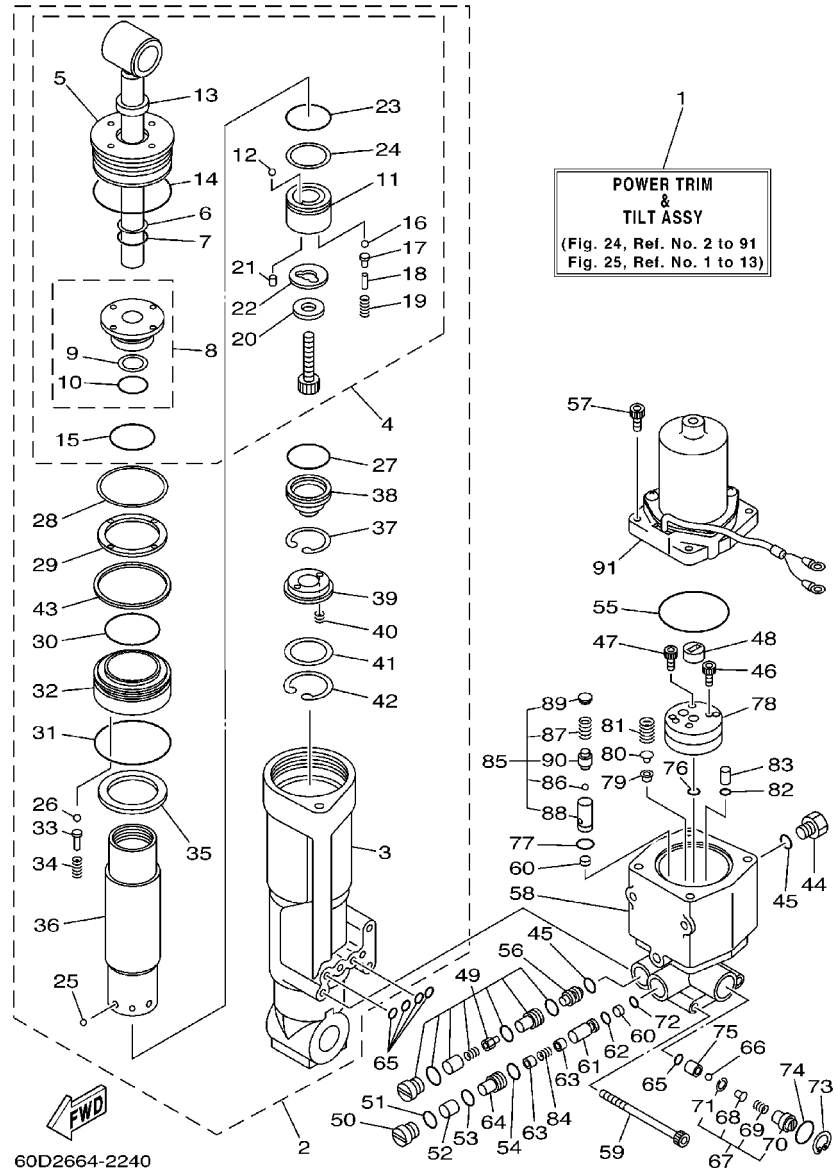
FIG. 24 POWER TRIM & TILT ASSY 1 COMPONER Y PODER VARILLA 1



60D2664-2240

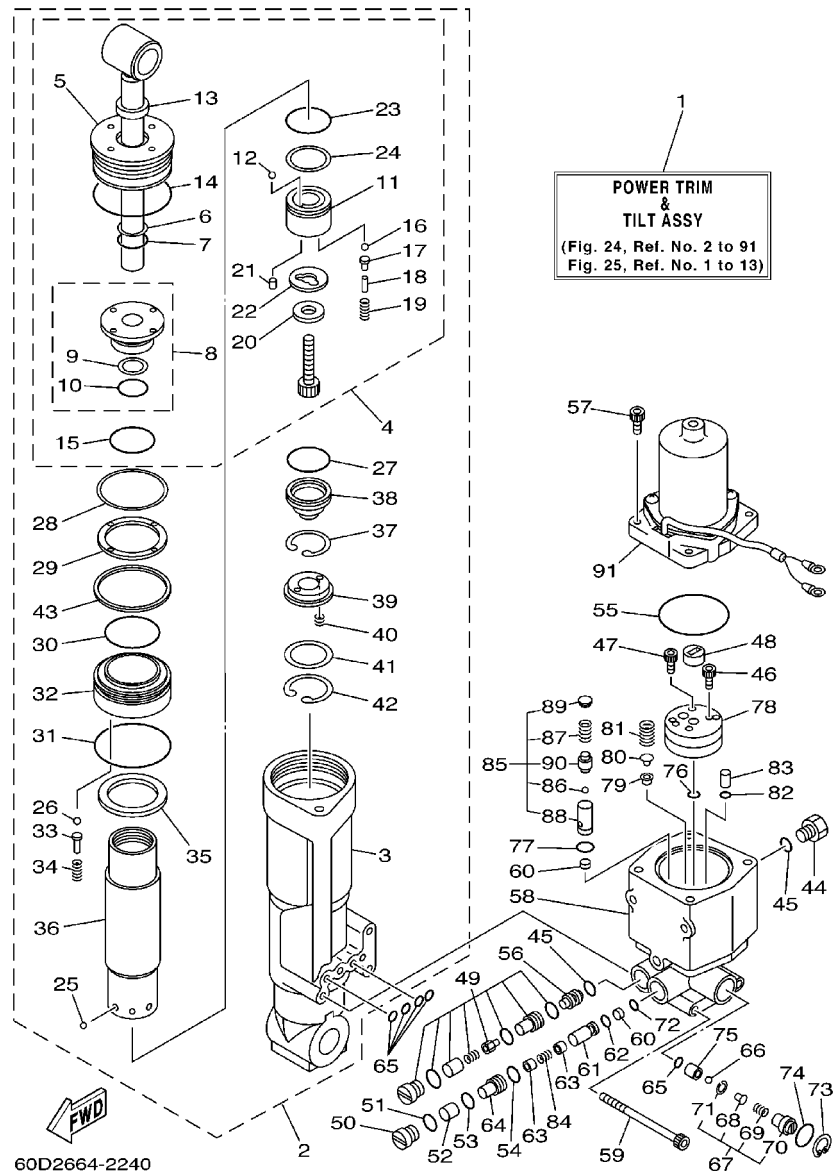
REF. NO.	PART NO. CODIGO NO.	DESCRIPTION DESCRIPTION	60D2				REMARKS OBSERVACION
28	67F-43899-00	.PLATE STOPPER .PLACA	1				
29	67F-43816-00	.FILTER 1 .FILTRO 1	1				
30	67F-43862-00	.O-RING .ANILLO EN O 2	1				
31	62X-43865-00	.O-RING .ANILLO EN O 5	1				
32	67F-4388A-00	.BOLT .TORNILLO	1				
33	6T4-4386A-00	.PIN, ABSORBER VALVE .PASADOR VALVULA ABSORBER	5				
34	67F-43857-00	.SPRING, ABSORBER VALVE .RESORTE	5				
35	67F-4381J-00	.PLATE .PLACA	1				
36	67F-22471-01	.CYLINDER, SHOCK ABSORBER .CILINDRO DE AMORTIGUADOR	1				
37	67F-43875-00	.RING, SNAP .ANILLO	1				
38	67F-4381B-00	.FREE PISTON SUB ASSY .SUB-PISTON COMPL	1				
39	62X-43899-00	.PLATE STOPPER .PLACA	1				
40	62X-4384H-00	.SPRING .RESORTE	2				
41	1UF-22434-00	.PLATE, VALVE 1 .PLATO DE VALVULA 1	1				
42	62X-43875-00	.RING, SNAP .ANILLO	1				
43	67F-43871-00	.RING, BACK UP .ANILLO	1				
44	6H1-43829-00	PLUG, RESERVOIR TAPON DEPOSITO	1				
45	93210-09165	O-RING ANILLO O	2				
46	91318-06035	BOLT PERNO	3				
47	91318-06020	BOLT PERNO	1				
48	6H1-43831-10	CONNECTOR, SHAFT CONEXION EJE	1				
49	67F-43802-00	VALVE SUB ASSY VALVULA PRINCIPAL COMPL.	2				
50	67F-4382F-00	ADAPTOR 3 ADAPTADOR 3	1				
51	6H1-43866-00	O-RING ANILLO EN O 6	1				
52	67F-43817-00	FILTER 2 FILTRO 2	1				
53	93210-10M74	O-RING ANILLO O	1				
54	6H1-43867-00	O-RING ANILLO EN O 7	1				

FIG. 24 POWER TRIM & TILT ASSY 1 COMPONER Y PODER VARILLA 1



REF. NO.	PART NO. CODIGO NO.	DESCRIPTION DESCRIPTION	60D2				REMARKS OBSERVACION
55	62X-43865-00	O-RING ANILLO EN O 5	1				
56	62X-43841-00	PISTON, SHUTTLE PISTON	1				
57	65W-43888-00	BOLT, SOCKET TORNILLO ENCASTRE	4				
58	67F-43825-03	HOUSING, TRIM & TILT CAJA INCLINACION Y ADRNO	1				
59	62X-43878-00	BOLT, SOCKET TORNILLO_ENCASTRE	3				
60	6H1-43816-00	FILTER 1 FILTRO 1	2				
61	67F-43851-00	SEAT, RELIEF VALVE ASIENTO VALVULA DE DESCARGA	1				
62	93210-07003	O-RING ANILLO O	1				
63	67F-43808-00	SEAT VALVE COMP. 1 ASIENTO VALVULA COMPLETA 1	2				
64	67F-4382G-00	SCREW, VALVE SEAT TORNILLO DE JUEGO VALVUA	1				
65	93210-064A5	O-RING ANILLO O	5				
66	93505-32038	BALL BOLA	1				
67	61A-43860-20	MANUAL VALVE SUB-ASSY VALVULA SUB-COMPL.	1				
68	61A-43848-00	.ROD, MANUAL RELEASE .VARILLA DESCOPLIO MANUAL	1				
69	61A-43854-00	.SPRING, MANUAL RELEASE .RESORTE DESCOPLIO MANUAL	1				
70	61A-43845-00	.SCREW, MANUAL RELEASE .TORNILLO DESCOPLIO MANUAL	1				
71	61A-43875-00	.RING, SNAP .ANILLO	1				
72	93210-06100	O-RING ANILLO O	1				
73	6H1-43875-00	RING, SNAP ANILLO	1				
74	93210-18397	O-RING ANILLO O	1				
75	61A-43847-00	SEAT, MANUAL VALVE ASIENTO VALVULA MANUAL	1				
76	65W-43862-00	O-RING ANILLO EN O 2	2				
77	93210-11368	O-RING ANILLO O	1				
78	67F-43830-00	GEAR PUMP ASSY ENGRANAJE BOMBA COMPL.	1				
79	6H1-4384F-10	SEAL, MAIN VALVE ASIENTO	1				
80	6H1-43844-10	PIN, VALVE SUPPORT PASADOR VALVULA SOPORTE	1				
81	6H1-43856-10	SPRING, DOWN RELIEF RESORTE SEGURIDAD	1				

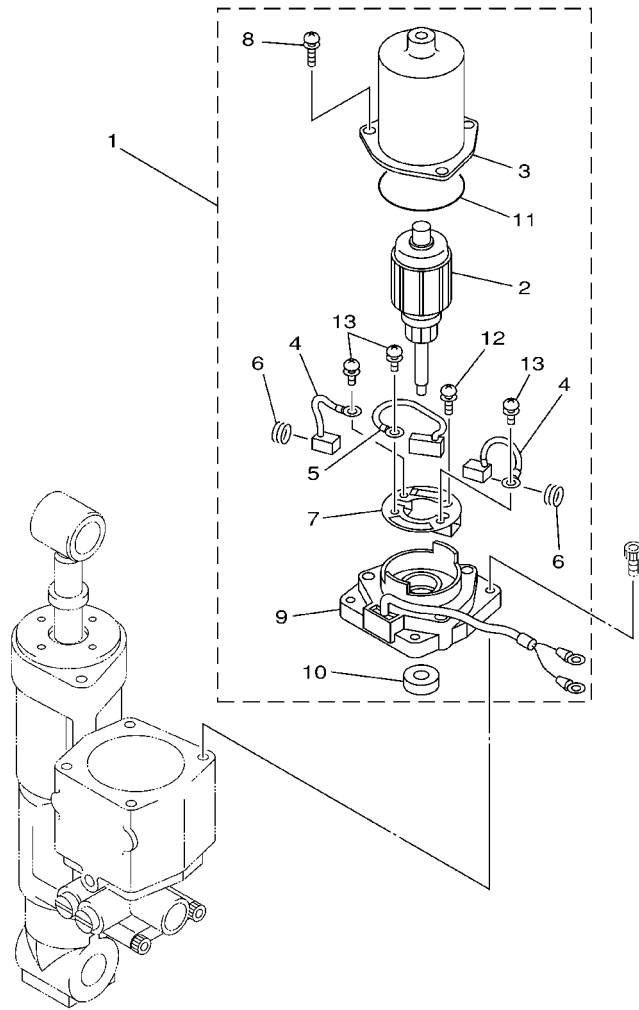
FIG. 24 POWER TRIM & TILT ASSY 1 COMPONER Y PODER VARILLA 1



60D2664-2240

REF. NO.	PART NO. CODIGO NO.	DESCRIPTION DESCRIPTION	60D2			REMARKS OBSERVACION
82	65W-43861-00	O-RING ANILLO EN O 1	2			
83	65W-43817-00	FILTER 2 FILTRO 2	2			
84	67F-4385H-00	SPRING, SEAL RESORTE	1			
85	67F-43850-00	VALVE SUB ASSY VALVULA COMPL	1			
86	93501-08001	.BALL .BOLA	1			
87	6H1-43856-10	.SPRING, DOWN RELIEF .RESORTE SEGURIDAD	1			
88	67F-43895-00	.SEAT, RELIEF VALVE .ASIENTO	1			
89	67F-43843-00	.SCREW, VALVE LOCK .TORNILLO	1			
90	67F-4386A-00	.PIN, ABSORBER VALVE .PASADOR VALVULA ABSORBER	1			
91	67F-43880-00	MOTOR ASSY MOTOR COMPL.	1			REFER TO FIG.25

FIG. 25 POWER TRIM & TILT ASSY 2 COMPONER Y PODER VARILLA 2



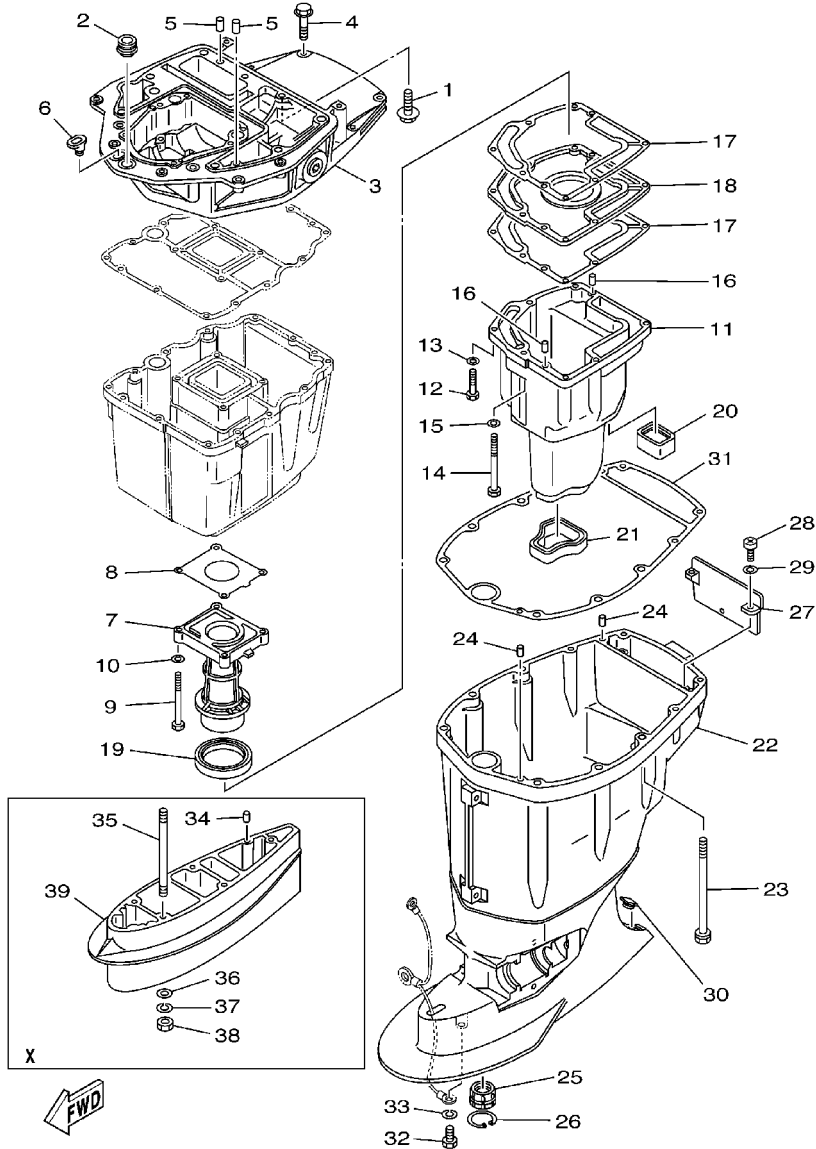
REF. NO.	PART NO. CODIGO NO.	DESCRIPTION DESCRIPTION	60D2			REMARKS OBSERVACION
1	67F-43880-00	MOTOR ASSY MOTOR COMPL.	1			
2	67F-43805-00	.ARMATURE ASSY .INDUCIDO COMPL.	1			
3	67F-43804-00	.STATOR ASSY .ESTATOR COMPL	1			
4	67F-43891-00	.BRUSH 1 .ESCOBILLA 1	2			
5	67F-82181-00	.CIRCUIT BREAKER COMP. .RUPTOR DE CIRCUITO COMPL	1			
6	67F-4386K-00	.SPRING, BRUSH .RESORTE, ESCOBILLA	2			
7	67F-4380F-00	.PLATE, BRUSH HOLDER .PLACA	1			
8	67F-43886-00	.BOLT .TORNILLO	3			
9	67F-43881-00	.FRAME, END .CUADRO EXTERMO	1			
10	67F-43882-00	.OIL SEAL .SELLO ACEITE	1			
11	67F-43896-00	.O-RING .ANILLO EN O	1			
12	67F-43887-00	.BOLT, THROUGH .TORNILLO	1			
13	67F-43879-00	.SCREW, WITH WASHER .TORNILLO CON RONDANA	3			



67G0010-9240

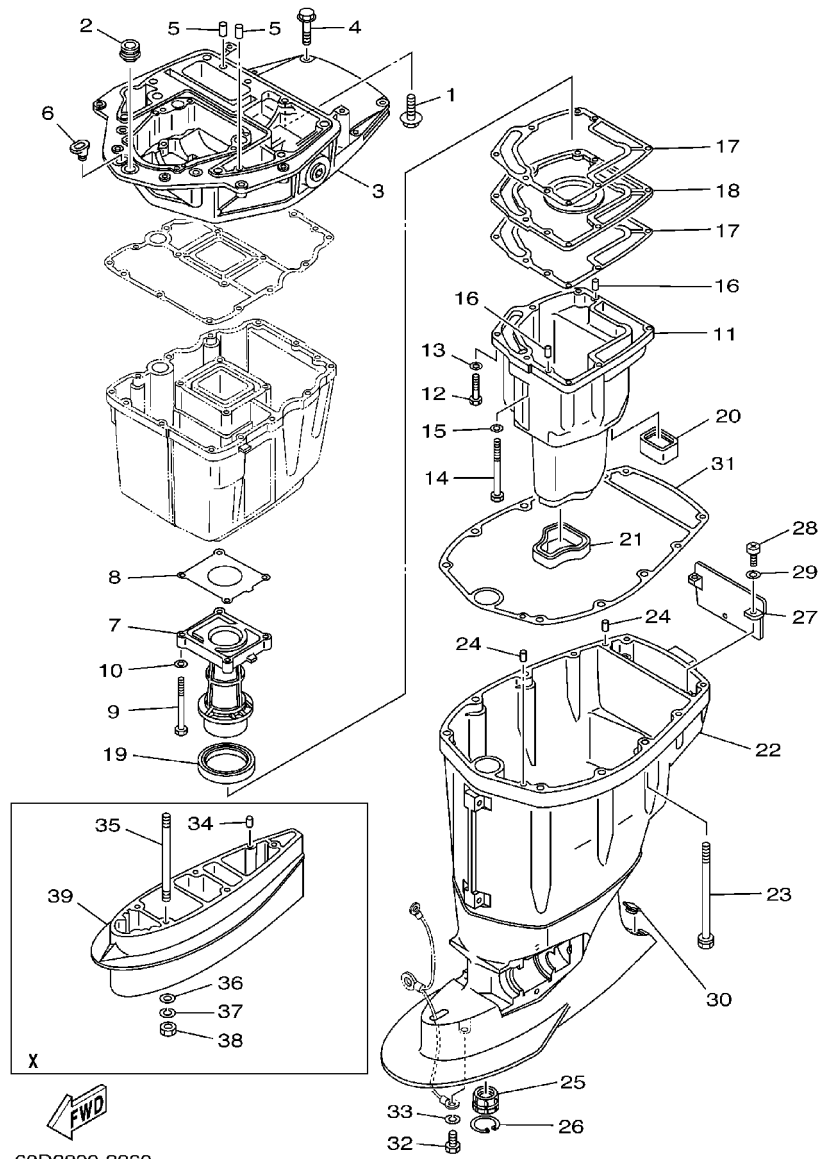
FIG. 26 UPPER CASING

FUNDA SUPERIOR



60D2200-2260

REF. NO.	PART NO. CODIGO NO.	DESCRIPTION DESCRIPTION	60D2			REMARKS OBSERVACION
1	90119-08M58	BOLT, WITH WASHER TORNILLO CON ARANDELA	2			
2	67F-42724-00	GROMMET TAPON	1			
3	67F-41137-01-94	GUIDE, EXHAUST GUIA DE ESCAPE	1			
4	97575-08540	BOLT, WITH WASHER PERNO CON ARANDELA RONDELLE	4			
5	93608-16M16	PIN, DOWEL PASADOR DE CLAVIJA	2			
6	6G1-42727-00	GROMMET TAPON	1			
7	60C-41131-00-5B	MANIFOLD, EXT. 1 TUBO MULTIPLE DE ESCAPE	1			
8	67F-41133-A0	GASKET, EXHAUST MANIFOLD 1 EMPAQUE ESCAPE MULTIPLE	1			
9	97075-06070	BOLT PERNO	4			
10	92995-06600	WASHER ARANDELA	4			
11	60D-14711-00-5B	MUFFLER 1 SILENCIADOR 1	1			
12	97075-06030	BOLT PERNO	6			
13	92995-06600	WASHER ARANDELA	6			
14	97075-06050	BOLT PERNO	1			
15	92995-06600	WASHER ARANDELA	1			
16	93606-19M23	PIN, DOWEL PASADOR DE CLAVIJA	2			
17	67F-41134-A0	GASKET, EXHAUST MANIFOLD EMPAQUE	2			
18	67F-45181-00-5B	PLATE PLACA	1			
19	67F-41138-00	SEAL, EXT. 1 SELLO, ESCAPE 1	1			
20	67F-45127-00	SEAL SELLO DE GOMA	1			
21	67F-45123-00	GASKET, MUFFLER EMPAQUE SILENCIADOR	1			
22	67F-45111-10-4D	CASING, UPPER CAJA SUPERIOR	1			
23	90119-10M08	BOLT, WITH WASHER TORNILLO CON ARANDELA	6			
24	93608-16M16	PIN, DOWEL PASADOR DE CLAVIJA	2			
25	67F-45318-00	BUSHING, DRIVE SHAFT BUJE, EJE DE MANDO	1			
26	93420-36M01	CIRCLIP BOLA	1			
27	67F-45151-00	COVER, UPPER CASING CUBIERTA FUNDA SUPERIOR	1			



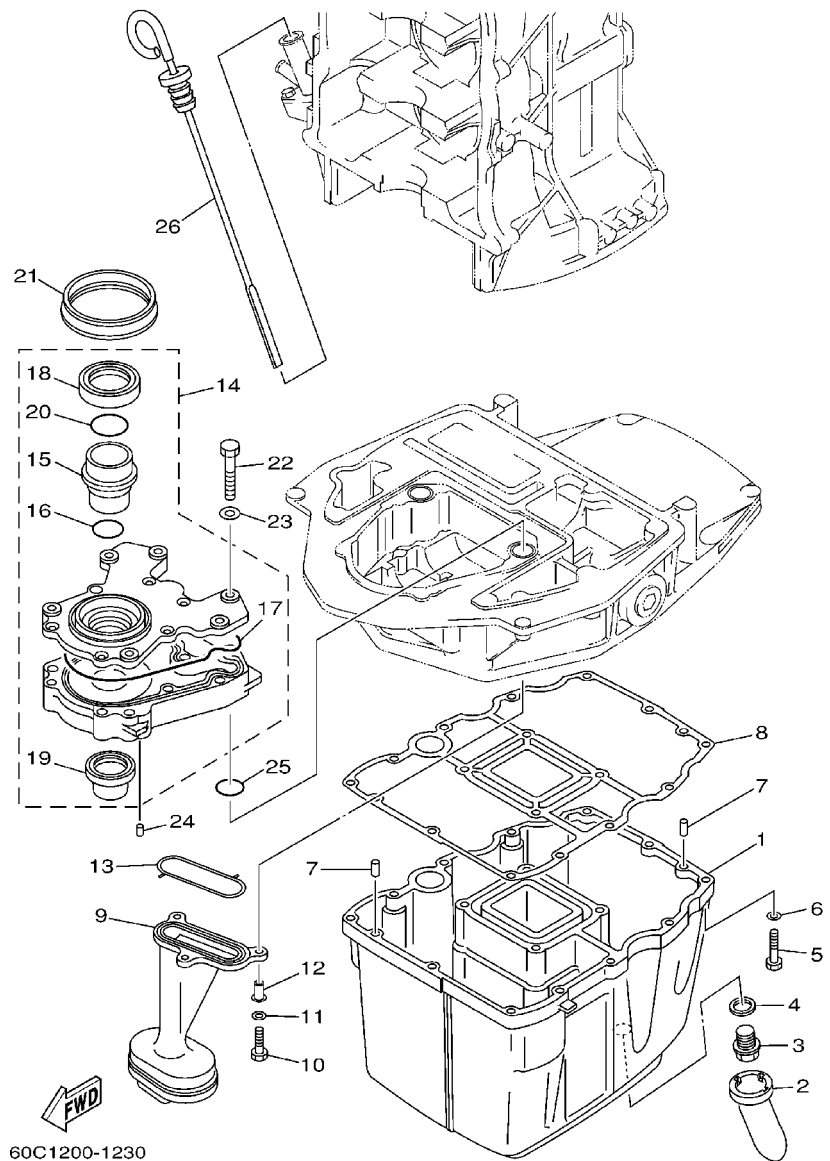
60D2200-2260

FIG. 26 UPPER CASING FUNDA SUPERIOR

REF. NO.	PART NO. CODIGO NO.	DESCRIPTION DESCRIPTION	60D2			REMARKS OBSERVACION
28	97880-06016	SCREW, PAN HEAD TORNILLO DE CABEZA CON PLANA	2			
29	92990-06600	WASHER, PLATE ARANDELA	2			
30	67F-45155-00	CAP TAPA	1			
31	67F-45113-00	GASKET, UPPER CASING EMPAQUE	1			
32	97095-08016	BOLT PERNO	1			
33	92995-08100	WASHER ARANDELA	1			
34	93606-12019	PIN, DOWEL PASADOR DE CLAVIJA	2			X
35	90116-10M05	BOLT, STUD ESPARRAGO	4			X
36	92990-10600	WASHER, PLATE ARANDELA	4			X
37	92990-10100	WASHER, SPRING ARANDELA	4			X
38	95380-10600	NUT TUERCA	4			X
39	688-45211-01-4D	EXTENSION EXTENSION	1			X
<hr/>						
<hr/>						
<hr/>						
<hr/>						
<hr/>						

FIG. 27 OIL PAN

OIL PAN

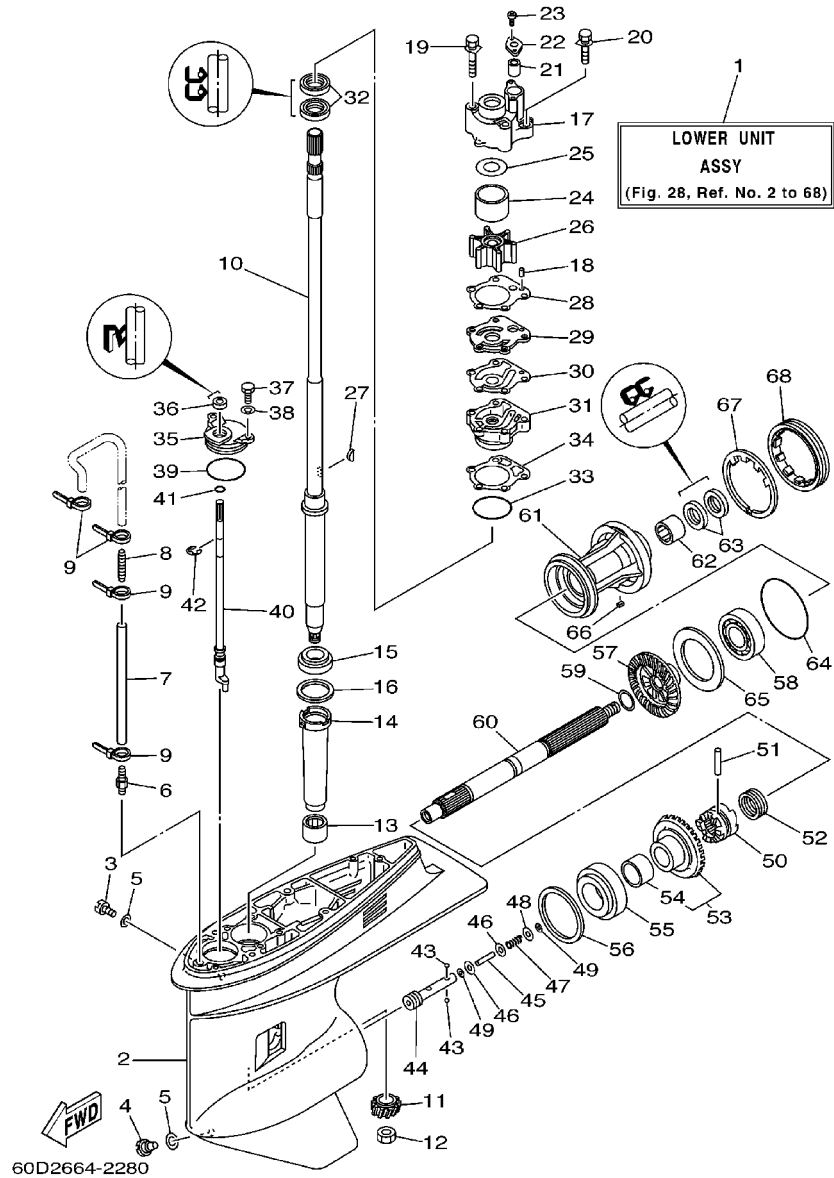


60C1200-1230

REF. NO.	PART NO. CODIGO NO.	DESCRIPTION DESCRIPTION	60D2				REMARKS OBSERVACION
1	67F-15311-00-5B	OIL PAN BANDEJA DE ACEITE	1				
2	67F-15316-00	DAMPER 1 AMORT 1	1				
3	90340-14M06	PLUG, STRAIGHT SCREW TORNILLO, DE DRENAJE	1				
4	90430-14M09	GASKET JUNTA	1				
5	97075-06025	BOLT PERNO	12				
6	92995-06600	WASHER ARANDELA	12				
7	93606-12019	PIN, DOWEL PASADOR DE CLAVIJA	2				
8	67F-15312-00	GASKET, OIL PAN EMPAQ BANDEJA DE ACEITE	1				
9	67F-13411-00	STRAINER, OIL FILTRO DE ACEITE	1				
10	97027-06025	BOLT PERNO	3				
11	92907-06600	WASHER, PLATE ARANDELA	3				
12	90387-06M64	COLLAR COLLAR	3				
13	67F-13415-00	SEAL, OIL STRAINER SELLO COLADOR ACEITE	1				
14	67F-13300-03	OIL PUMP ASSY BOMBA DE ACEITE COMPLETA	1				
15	67F-13314-01	SHAFT, PUMP EJE DE BOMBA	1				
16	67F-13473-01	O-RING ANILLO O	1				
17	67F-13329-00	GASKET, PUMP COVER EMPAQUE TAPA DE BOMBA	1				
18	67F-13119-01	OIL SEAL SELLO ACEITE	1				
19	67F-13631-02	SEAL, RUBBER SELLO, GOMA	1				
20	67F-13769-00	O-RING ANILLO O	1				
21	67F-13338-00	SEAL SELLO	1				
22	97095-06045	BOLT PERNO	6				
23	92995-06600	WASHER ARANDELA	6				
24	93604-12M07	PIN, DOWEL PASADOR DE CLAVIJA	2				
25	93210-19MJ1	O-RING ANILLO O	2				
26	68V-15362-00	PLUG, OIL LEVEL TAPON DEL NIVEL DE ACEITE	1				

FIG. 28 LOWER CASING. DRIVE 1

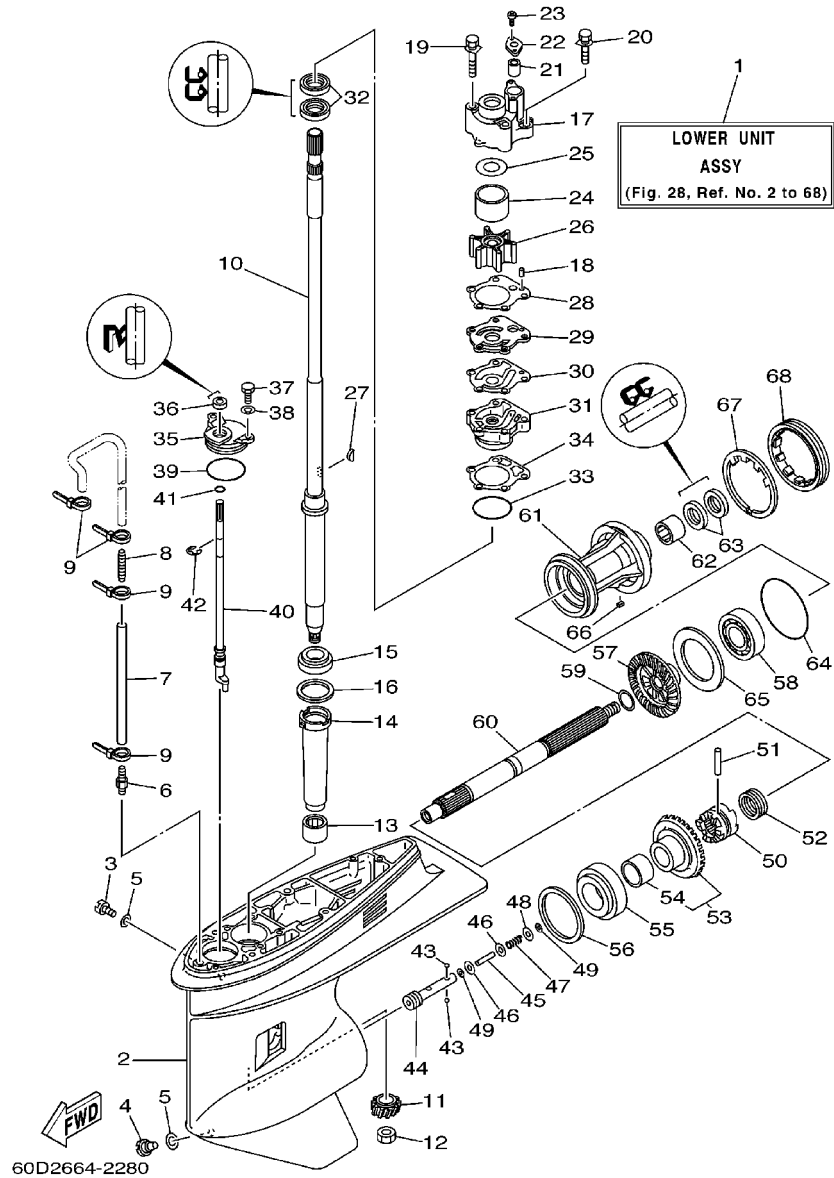
IMPULSOR E INFERIOR 1



REF. NO.	PART NO. CODIGO NO.	DESCRIPTION DESCRIPTION	60D2			REMARKS OBSERVACION
1	60D-45300-10-4D	LOWER UNIT ASSY CONJUNTO UNIDAD INFERIOR	1			L
	60D-45300-30-4D	LOWER UNIT ASSY CONJUNTO UNIDAD INFERIOR	1			X
2	67F-45301-00-4D	CASING, LOWER FUNDA INFERIOR COMPLETA	1			
3	90340-08002	PLUG, STRAIGHT SCREW TORNILLO, DE DRENAJE	1			
4	688-45341-10	PLUG, DRAIN TAPON, DREN.	1			
5	90430-08020	GASKET JUNTA	2			
6	6E5-45378-00	NIPPLE, HOSE NIPLE MANGUERA	1			
7	90445-07M31	HOSE (L200) TUBO (L200)	1			L
	90445-07M38	HOSE (L300) TUBO (L300)	1			X
8	6E5-83558-10	END, NIPPLE EXTREMO DE NIPLE	1			
9	90465-11M10	CLAMP BRIDA	4			
10	67F-45501-10	DRIVE SHAFT COMP. EJE DE MANDO COMPL.	1			L
	67F-45501-30	DRIVE SHAFT COMP. EJE DE MANDO COMPL.	1			X
11	67F-45551-00	PINION PINON	1			
12	90170-16M01	NUT TUERCA	1			
13	93315-325W4	BEARING COJINETE	1			
14	688-45536-01	SLEEVE, DRIVE SHAFT CAMISA EJE DE MANDO	1			
15	93332-000U3	BEARING COJINETE	1			
16	688-45587-01-10	SHIM (T:0.10MM) LAINA (T:0.10MM)	1			UR
	688-45587-01-12	SHIM (T:0.12MM) LAINA (T:0.12MM)	1			UR
	688-45587-01-15	SHIM (T:0.15MM) LAINA (T:0.15MM)	1			UR
	688-45587-01-18	SHIM (T:0.18MM) LAINA (T:0.18MM)	1			UR
	688-45587-01-30	SHIM (T:0.30MM) LAINA (T:0.30MM)	1			UR
	688-45587-01-40	SHIM (T:0.40MM) LAINA (T:0.40MM)	1			UR
	688-45587-01-50	SHIM (T:0.50MM) LAINA (T:0.50MM)	1			UR
17	67F-44311-00	HOUSING, WATER PUMP CAJA BOMBA DE AGUA	1			
18	93604-10M03	PIN, DOWEL PASADOR DE CLAVIJA	2			

FIG. 28 LOWER CASING. DRIVE 1

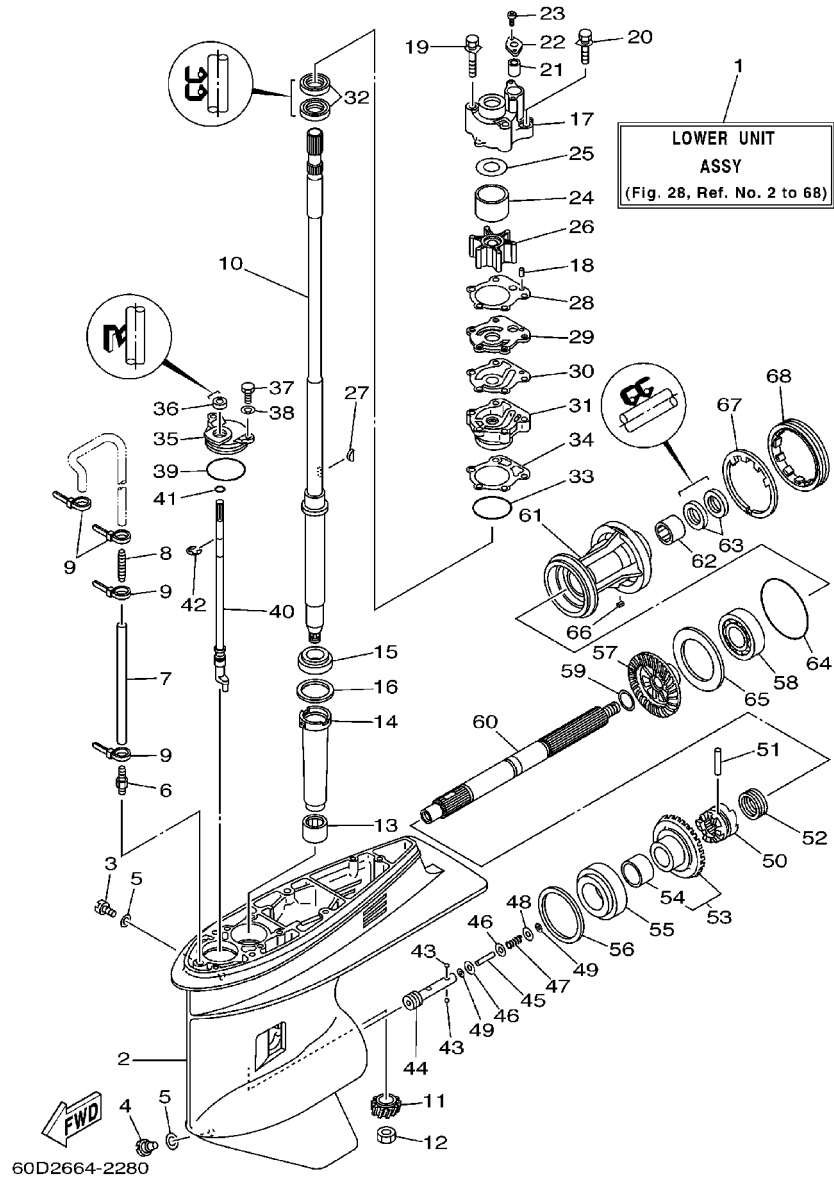
IMPULSOR E INFERIOR 1



REF. NO.	PART NO. CODIGO NO.	DESCRIPTION DESCRIPTION	60D2	REMARKS OBSERVACION
19	90119-08M87	BOLT, WITH WASHER TORNILLO CON ARANDELA	2	
20	90119-08M13	BOLT, WITH WASHER TORNILLO CON ARANDELA	2	
21	663-44366-00	DAMPER, WATER SEAL GOMA DEL SELLO DE AGUA	1	
22	90480-19M06	GROMMET TAPON	1	
23	97780-40512	SCREW, TAPPING TORNILLO ROSCA HEMBRA	2	
24	60D-44322-40	INSERT, CARTRIDGE CARTUCHO	1	FOR CHROMATE
25	688-44321-41	INNER PLATE, CARTRIDGE PLACA INTERIOR CARTUCHO	1	FOR CHROMATE
26	67F-44352-00	IMPELLER IMPULSOR	1	
27	90280-04M04	KEY, WOODRUFF CUNA WOODRUFF	1	
28	688-44315-A0	GASKET, WATER PUMP EMPAQUE	1	
29	60D-44323-40	OUTER PLATE, CARTRIDGE PLACA EXTERIOR DEL CARTUCHO	1	FOR CHROMATE
30	688-44324-A0	GASKET, CARTRIDGE EMPAQUE	1	
31	688-44341-01-94	HOUSING, WATER PUMP CAJA BOMBA DE AGUA	1	
32	93101-25M03	OIL SEAL SELLO ACEITE	2	
33	93210-46044	O-RING ANILLO O	1	
34	688-44316-A0	GASKET, WATER PUMP EMPAQUE	1	
35	688-45321-00	PLATE PLACA	1	
36	93106-09014	OIL SEAL SELLO ACEITE	1	
37	97095-06016	BOLT PERNO	2	
38	92995-06600	WASHER ARANDELA	2	
39	93210-49046	O-RING ANILLO O	1	
40	67F-44150-00	SHIFT CAM ASSY CONJUNTO EJE LEVA COMPL.	1	
41	93210-07003	O-RING ANILLO O	1	
42	99001-08600	CIRCLIP PRESILLA REDONDA	1	
43	93503-16003	BALL BOLA	2	
44	67F-45634-00	SLIDE, SHIFT DESILIZADOR, CAMBIO	1	
45	6H1-45668-00	SHAFT, FREE EJE	1	

FIG. 28 LOWER CASING. DRIVE 1

IMPULSOR E INFERIOR 1



60D2664-2280

REF. NO.	PART NO. CODIGO NO.	DESCRIPTION DESCRIPTION	60D2	REMARKS OBSERVACION
46	6H1-45635-00	PLUNGER, SHIFT EMBOLO DE CAMBIO	2	
47	90501-12M48	SPRING, COMPRESSION RESORTE DE COMPRESION	1	
48	90201-03313	WASHER, PLATE ARANDELA PLANA	1	
49	90183-02M03	NUT, SPRING TUERCA DE RESORTE	2	
50	67F-45631-00	CLUTCH, DOG EMBRAGUE DE GARRA	1	
51	90250-07M02	PIN, STRAIGHT PASADOR CILINDRICO	1	
52	688-45633-00	RING, CROSS PIN ANILLO DE PASADOR	1	
53	67F-45560-00	GEAR ENGRANE COMPLE 1	1	
54	93317-322V0	.BEARING .COJINETE	1	
55	93332-000UD	BEARING COJINETE	1	
56	688-45567-01-10	SHIM (T:0.10MM) LAINA(T:0.10MM)	1	UR
	688-45567-01-12	SHIM (T:0.12MM) LAINA (T:0.12MM)	1	UR
	688-45567-01-15	SHIM (T:0.15MM) LAINA (T:0.15MM)	1	UR
	688-45567-01-18	SHIM (T:0.18MM) LAINA (T:0.18MM)	1	UR
	688-45567-01-30	SHIM (T:0.30MM) LAINA (T:0.30MM)	1	UR
	688-45567-01-40	SHIM (T:0.40MM) LAINA (T:0.40MM)	1	UR
	688-45567-01-50	SHIM (T:0.50MM) LAINA (T:0.50MM)	1	UR
57	67F-45571-00	GEAR ENGRANAJE	1	
58	93306-207U0	BEARING COJINETE	1	
59	90201-25M05	WASHER, PLATE ARANDELA PLANA	1	
60	67F-45611-00	SHAFT, PROPELLER EJE PROPUSOR	1	
61	67F-45331-00-94	HOUSING, BEARING CAJA DE COJINETE	1	
62	93317-325U0	BEARING COJINETE	1	
63	93101-25M03	OIL SEAL SELLO ACEITE	2	
64	93210-86M39	O-RING ANILLO O	1	
65	67F-45576-00	WASHER, THRUST ARANDELA DE EMPUJE AXIAL	1	
66	90282-04010	KEY, STRAIGHT CHAVETA, RECTA	1	

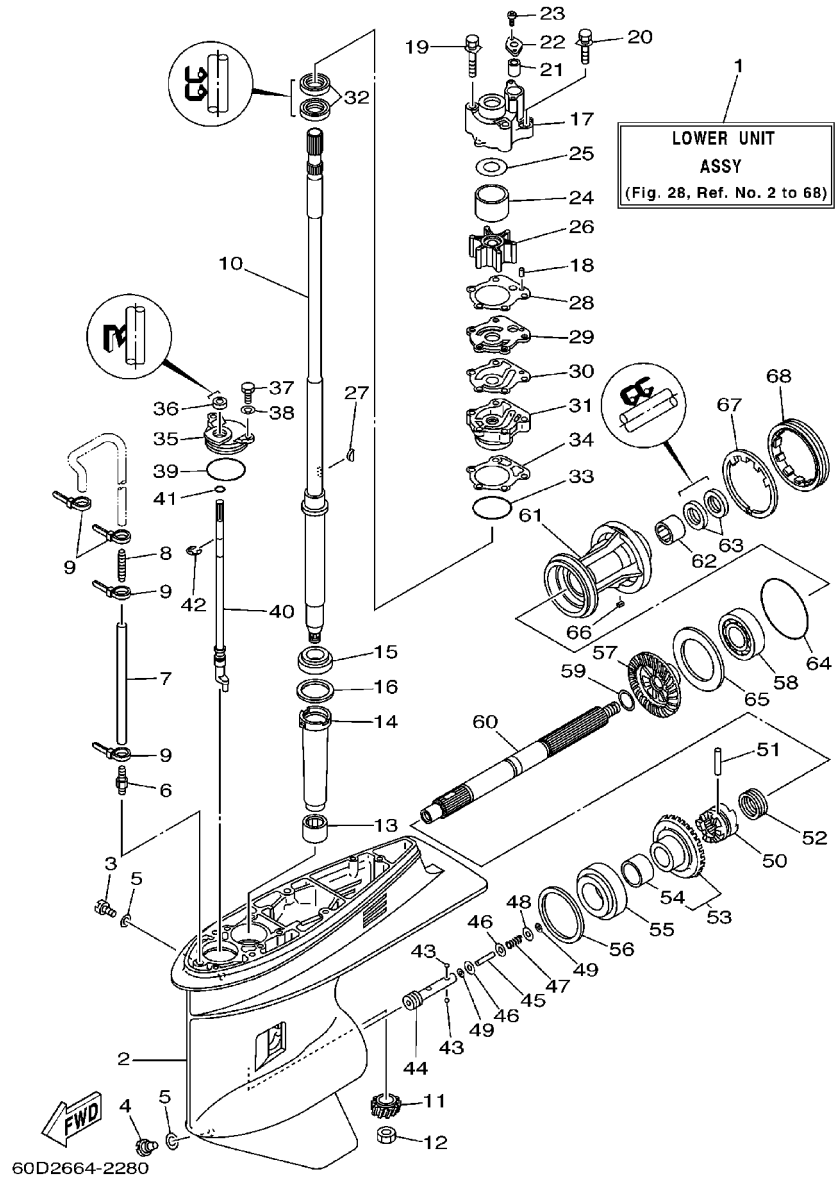
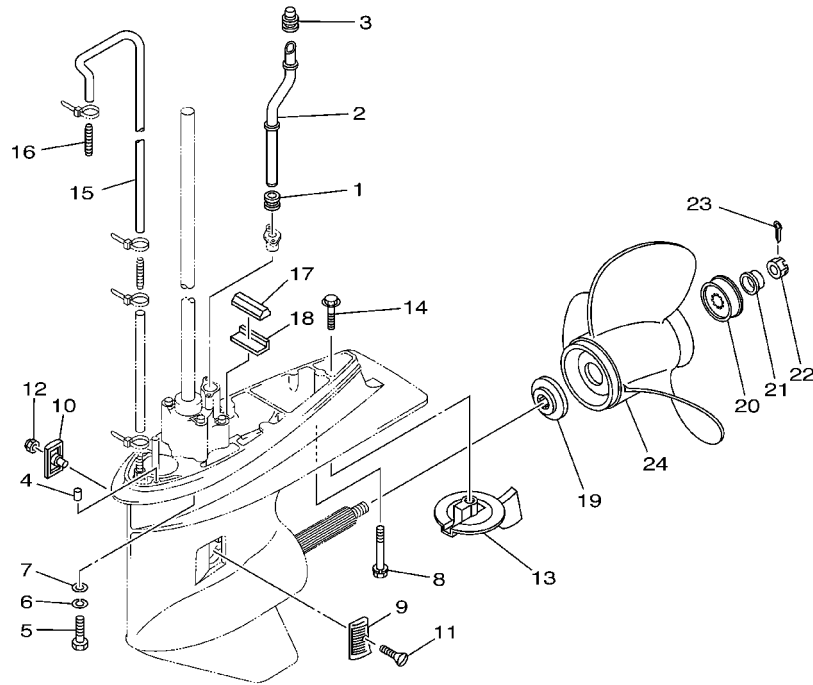


FIG. 28 LOWER CASING. DRIVE 1 IMPULSOR E INFERIOR 1

REF. NO.	PART NO. CODIGO NO.	DESCRIPTION DESCRIPTION	60D2			REMARKS OBSERVACION
67	688-45383-02	WASHER, CLAW ARANDELA DE UNA	1			
68	688-45384-00	NUT TUERCA	1			

FIG. 29 LOWER CASING. DRIVE 2

IMPULSOR E INFERIOR 2

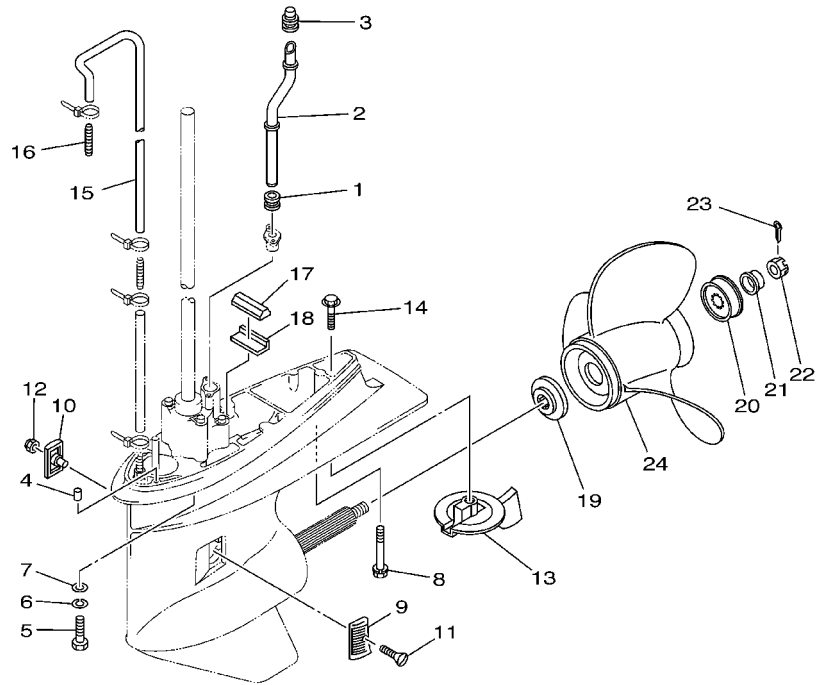


FWD
67F0010-9230

REF. NO.	PART NO. CODIGO NO.	DESCRIPTION DESCRIPTION	60D2				REMARKS OBSERVACION
1	663-44367-00	DAMPER, WATER SEAL GOMA DEL SELLO DE AGUA	1				
2	67F-44361-10	TUBE, WATER TUBO DE AGUA	1				L
	67F-44361-30	TUBE, WATER TUBO DE AGUA	1				X
3	67F-44365-00	DAMPER, WATER SEAL HULE DE SELLO DE AGUA	1				
4	93606-12019	PIN, DOWEL PASADOR DE CLAVIJA	2				
5	97075-10040	BOLT PERNO	4				L
6	92995-10100	WASHER ARANDELA	4				L
7	92995-10600	WASHER ARANDELA	4				L
8	90119-08M84	BOLT, WITH WASHER TORNILLO CON ARANDELA	1				L
	90119-08M86	BOLT, WITH WASHER TORNILLO CON ARANDELA	1				X
9	6H1-45214-00	COVER, WATER INLET CUBIERTA ENTRADA AGUA	1				
10	6H1-45215-00	COVER, WATER INLET CUBIERTA ENTRADA AGUA	1				
11	90151-05M00	SCREW, COUNTERSUNK TORNILLO EMBUTIDO	1				
12	90185-05002	NUT, SELF-LOCKING TUERCA AUTOBLOCANTE	1				
13	67F-45371-00	TAB-TRIM QUILLA ESTABILIZADOR	1				
14	90105-10M67	BOLT, FLANGE TORNILLO	1				
15	90445-07ME0	HOSE (L1220) TUBO (L1220)	1				
16	6E5-83558-00	END, NIPPLE EXTREMO DE NIPLE	1				
17	688-45375-00	DAMPER, SEAL GOMA DE SELLO	1				
18	663-45376-00-94	GUIDE, SEAL DAMPER GUIA DE SELLO GOMA	1				
19	688-45987-01	SPACER ESPACIADOR	1				
20	67F-45997-00	SPACER ESPACIADOR	1				
21	90389-25M00	BUSH BUJE	1				
22	90171-16011	NUT, CASTLE TUERCA ENTALLADA	1				
23	91490-40025	PIN, COTTER PASADOR DE CHAVETA	1				
24	6E5-45941-00-EL	PROPÉLLE ^R (3X13"X19"-K) PROPELA (3X13"X19"-K)	1				UR
	6E5-45943-00-EL	PROPÉLLE ^R (3X12-5/8"X21"-K) PROPELA (3X12-5/8"X21"-K)	1				UR

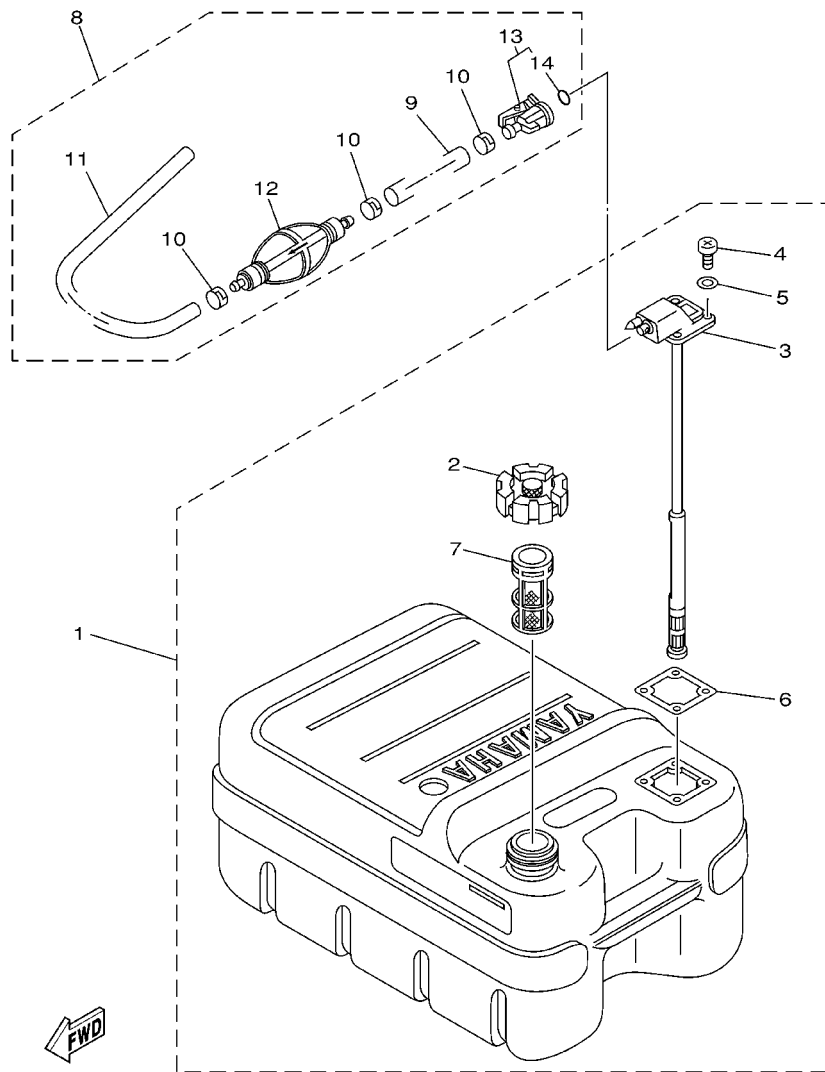
FIG. 29 LOWER CASING. DRIVE 2

IMPULSOR E INFERIOR 2



67F0010-9230

REF. NO.	PART NO. CODIGO NO.	DESCRIPTION DESCRIPTION	60D2		REMARKS OBSERVACION
24	6E5-45945-01-EL	PROPELLER (3X13-1/4"X17"-K) PROPELA (3X13-1/4"X17"-K)	1		UR
	6E5-45947-00-EL	PROPELLER (3X13-1/2"X15"-K) PROPELA (3X13-1/2"X15"-K)	1		UR
	6E5-45949-00-EL	PROPELLER (3X13-5/8"X13"-K) PROPELA (3X13-5/8"X13"-K)	1		UR
	6E5-45952-00-EL	PROPELLER (3X13"X23"-K) PROPELA (3X13"X23"-K)	1		UR
	6E5-45954-00-EL	PROPELLER (3X14"X11"-K) PROPELA (3X14"X11"-K)	1		UR
	6E5-45956-00-EL	PROPELLER (3X13"X25"-K) PROPELA (3X13"X25"-K)	1		UR
		STAINLESS STEEL PROPELLER LIMPIO-ACERO DEL PROPELA			
	688-45970-03-98	PROPELLER (3X13"X19"-K) PROPELA (3X13"X19"-K)	1		UR
	688-45972-02-98	PROPELLER (3X13"X21"-K) PROPELA (3X13"X21"-K)	1		UR
	688-45974-02-98	PROPELLER (3X13"X23"-K) PROPELA (3X13"X23"-K)	1		UR
	688-45976-01-98	PROPELLER (3X13"X25"-K) PROPELA (3X13"X25"-K)	1		UR
	688-45978-60-98	PROPELLER (3X13-1/2"X16"-K) PROPELA (3X13-1/2"X16"-K)	1		UR
	688-45930-02-98	PROPELLER (3X13"X17"-K) PROPELA (3X13"X17"-K)	1		UR
	688-45932-60-98	PROPELLER (3X13-1/2"X14"-K) PROPELA (3X13-1/2"X14"-K)	1		UR



67F0100-9310

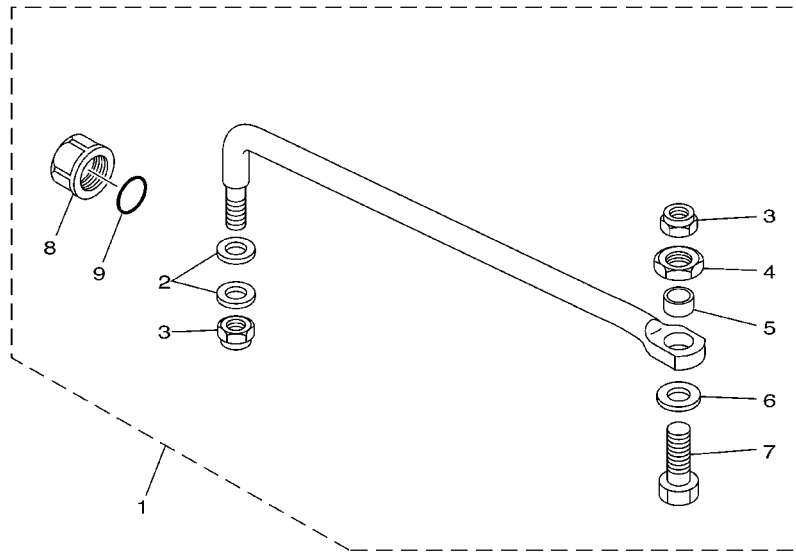
FIG. 30 FUEL TANK

DEPOSITO DE COMBUSTIBLE

REF. NO.	PART NO. CODIGO NO.	DESCRIPTION DESCRIPTION	60D2	REMARKS OBSERVACION
1	6YJ-24201-10	FUEL TANK ASSY (24L) TANQUE DEL COMBUSTIBLE (24L)	1	AP WITH INDICATOR
2	6YJ-24610-01	.CAP ASSY .TAPA COMPLETA	1	
3	6Y1-24260-12	.FUEL METER ASSY .MEDIDOR DE COMBUSTIBLE COMPL.	1	WITH INDICATOR
4	98586-05016	.SCREW, PAN HEAD .TORNILLO DE CABEZA CON PLANA	4	
5	6Y1-24329-00	.SEAL .SELLO	4	
6	6Y1-24268-00	.GASKET, FUEL METER .EMPAQ MEDIDOR DE COMBUSTIBLE	1	
7	6YJ-24167-00	.STRAINER .COLADOR	1	
8	6Y2-24306-42	FUEL PIPE COMP. 1 TUBO COMBUST. COMPL 1	1	AP
9	90445-13M01	.HOSE (L:2050) .MANGUERA (L:2050)	1	
10	6E5-24351-51	.BAND 1 .ABRAZADERA 1	3	
11	90445-13M35	.HOSE (L:250) .MANGUERA (L:250)	1	
12	6Y2-24360-52	.PRIMER PUMP ASSY .SOPORTE BOMBA	1	
13	6Y2-24305-04	.FUEL PIPE JOINT COMP. 2 .CONECTOR MANGUERA COMBUST.2	1	
14	93210-08287	.O-RING .ANILLO O	1	

FIG. 31 STEERING GUIDE

DIRECCIONGUIAR

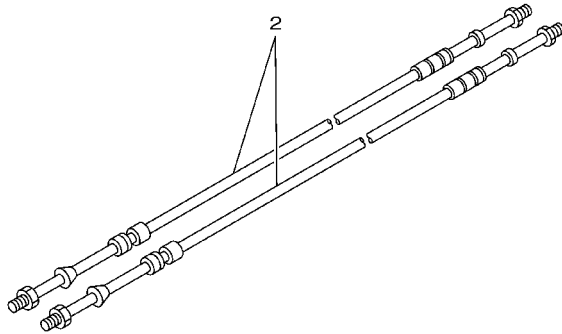
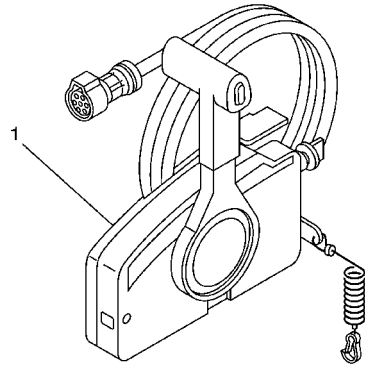


REF. NO.	PART NO. CODIGO NO.	DESCRIPTION DESCRIPTION	60D2			REMARKS OBSERVACION
1	67F-61350-00	STEERING GUIDE ATTACHMENT KIT ESTUCHE ADITAMENTO GUIA DE TIM	1			AP
2	90201-10M20	.WASHER, PLATE .ARANDELA PLANA	2			
3	90185-09M01	.NUT, SELF-LOCKING .TUERCA AUTOBLOCANTE	2			
4	90170-09M03	.NUT .TUERCA	1			
5	90387-10M42	.COLLAR .COLLAR	1			
6	90201-10M63	.WASHER, PLATE .ARANDELA PLANA	1			
7	90101-09M01	.BOLT .TORNILLO	1			
8	6E5-43145-01	.CAP, CLAMP BRACKET .TAPA	1			
9	93210-16275	.O-RING .ANILLO O	1			

67F0010-9250

FIG. 32 REMOTE CONTROL BOX

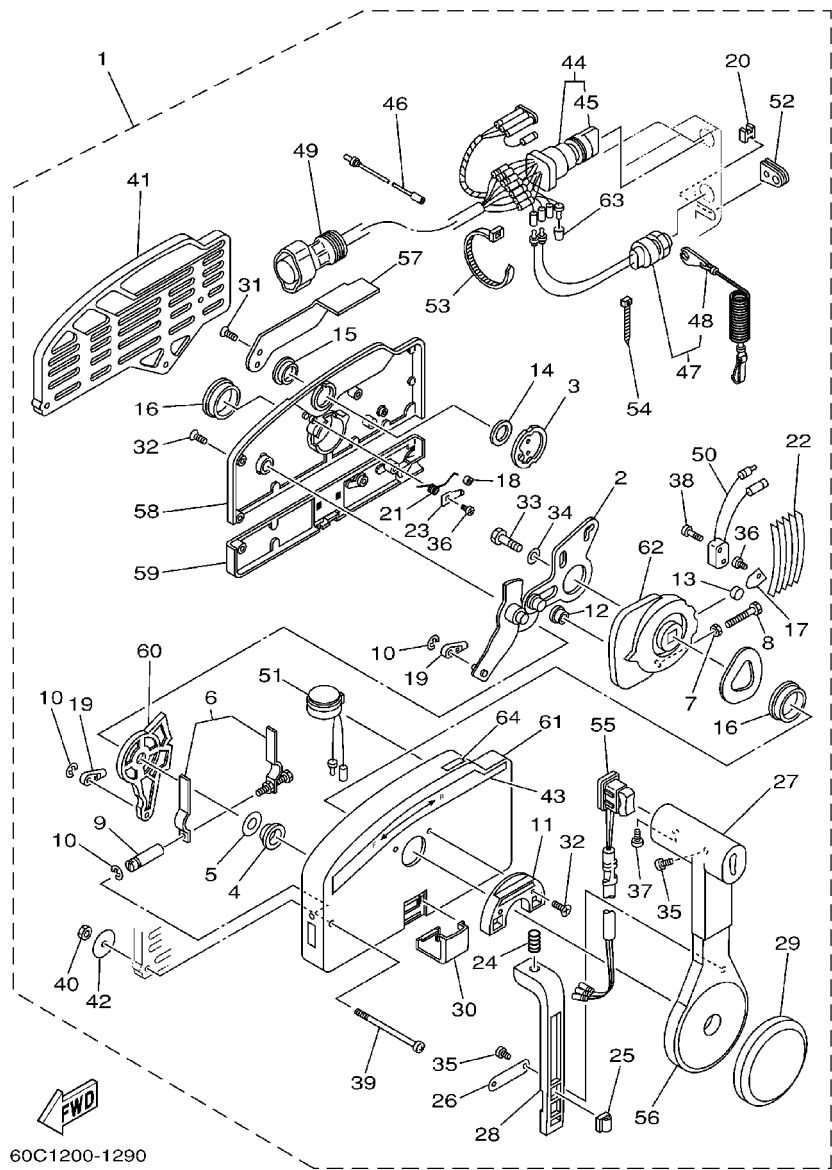
CONTROL REMOTO COMPL.



REF. NO.	PART NO. CODIGO NO.	DESCRIPTION DESCRIPTION	60D2				REMARKS OBSERVACION
1	703-48205-A4	REMOTE CONTROL ASSY REMOTO CONTROL COMPL.	1				AP WITH PT/T SW.
2	701-48320-70	CABLE, REMOTE CONTROL L=20F CABLE CONTROL REMOTO L=20F	2				



67M0100-8280



60C1200-1290

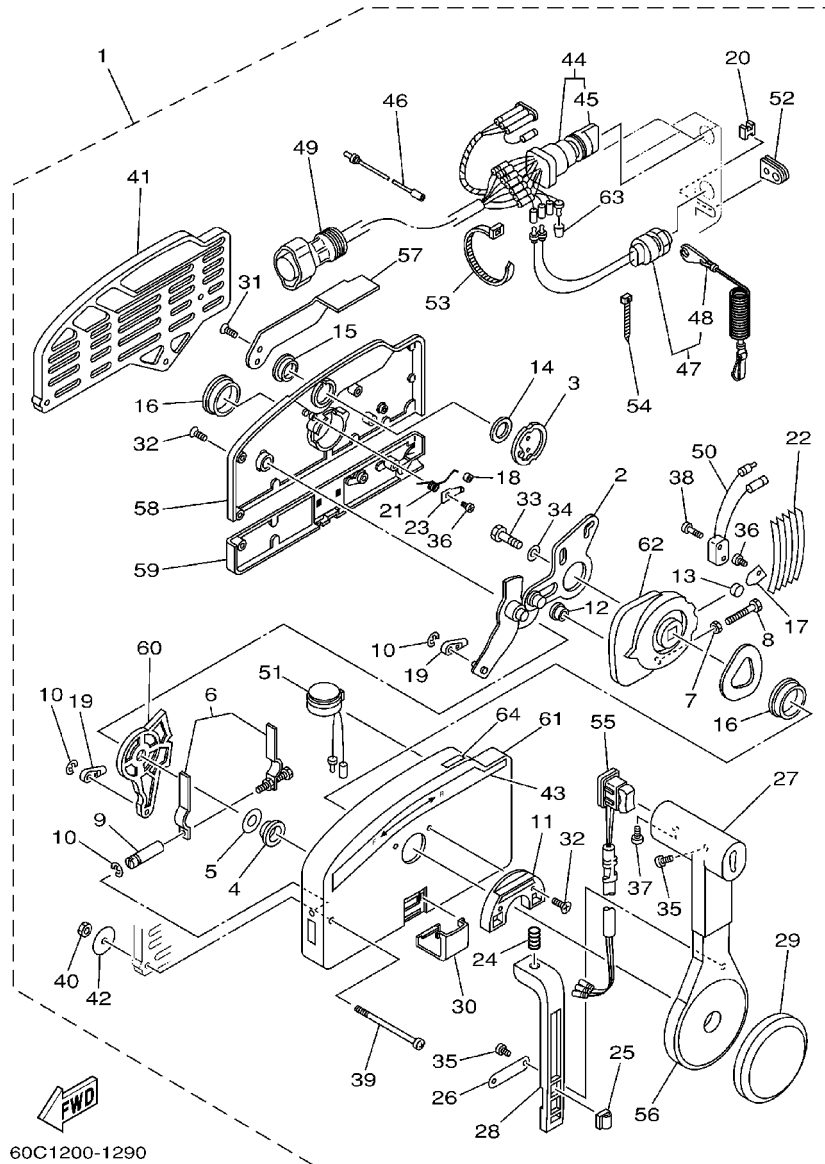
FIG. 33 REMOTE CONTROL ASSY CONTROL REMOTO COMPL.

REF. NO.	PART NO. CODIGO NO.	DESCRIPTION DESCRIPTION	60D2		REMARKS OBSERVACION
1	703-48205-A4	REMOTE CONTROL ASSY REMOTO CONTROL COMPL.	1		AP WITH PT/T SW.
2	703-48261-01	.ARM, THROTTLE .BRAZO ACELERADOR	1		
3	703-48153-00	.SHAFT, FREE ACCEL. .EJE	1		
4	703-48235-00	.BUSHING .BUJE	1		
5	703-48268-00	.SPACER ESPACIADOR 3	1		
6	703-48264-00	.THROTTLE, FRICTION .FRICCION ACELERADOR	1		
7	95380-05600	.NUT .TUERCA	1		
8	97380-05025	.BOLT .PERNO	1		
9	703-48265-00	.SHAFT, FRICTION .EJE FRICCION	1		
10	93430-06024	.CIRCLIP .BOLA	3		
11	703-48245-00	.PLATE, LOCK .PLACA CERRADURA	1		
12	703-48252-00	.ROLLER, CAM .RODILLO LEVA	1		
13	701-48248-00	.ROLLER, FREE ACCEL. .RODILLO ACELERADOR LIBRE	1		
14	703-48198-00	.WASHER, WAVE .RONDANA ONDULADA 3	1		
15	703-48243-00	BUSHING BUJE 3	1		
16	703-48236-00	BUSHING 1 BUJE	2		
17	703-48189-00	.RETAINER .RETENEDOR	1		
18	703-48234-00	.ROLLER, DETENT .RODILLO	1		
19	703-48345-01	.CABLE END, REMOTE CONTROL 2 .TERMINAL CABLE DE CONTROL REM	2		
20	703-48358-00	.ANCHOR, CABLE ABRAZADERA CABLE	1		
21	703-48244-00	.SPRING, FREE ACCEL. RESORTE ACELERADOR LIBRE	1		
22	703-48238-00	.SPRING, DETENT RESORTE	5		
23	703-48246-00	.SPACER ESPACIADOR	1		
24	703-48227-00	.SPRING, NEUTRAL LOCK RESORTE DE SEGURO	1		
25	703-82594-00	.CLAMP .GRAMPA	1		WITH PT/T SW.
26	703-48226-00	.PLATE, STOPPER .PLACA RETEN	1		
27	703-48222-00	.GRIP, CONTROL LEVER .MANGO DE PALANCA CONTROL	1		SINGLE

D1

FIG. 33 REMOTE CONTROL ASSY

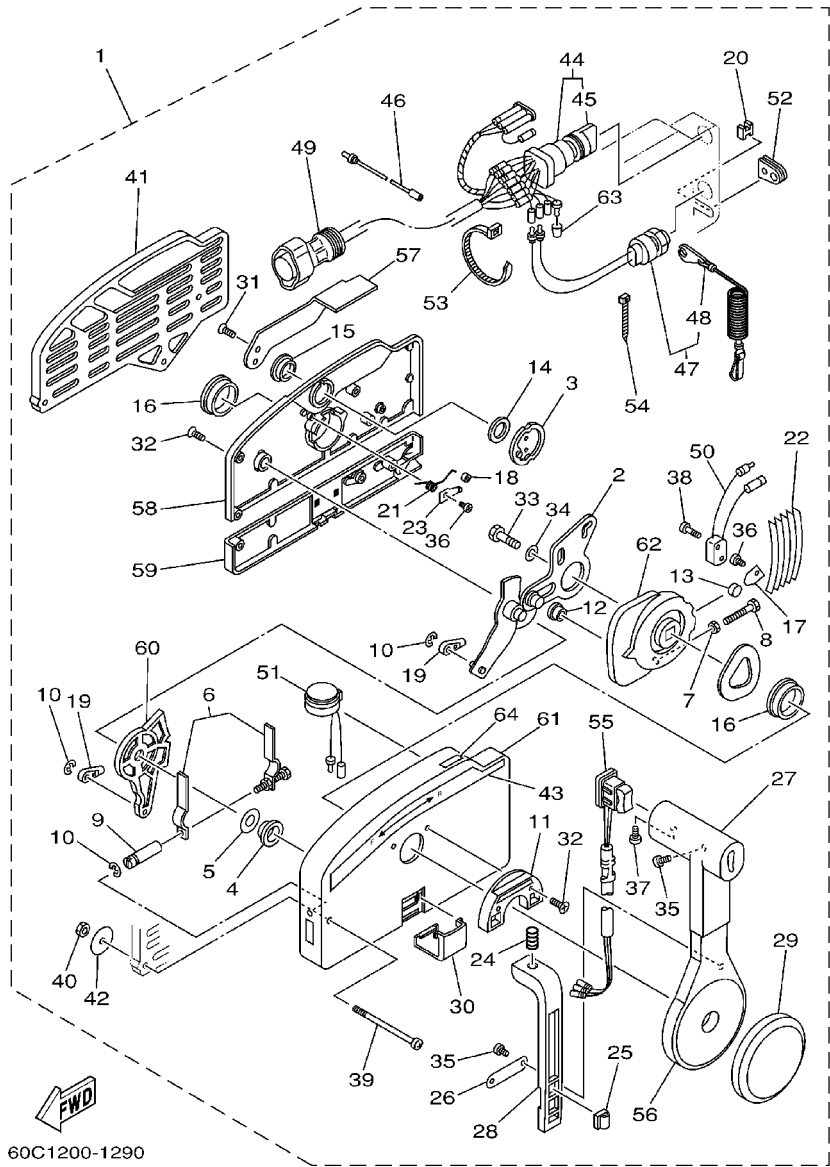
CONTROL REMOTO COMPL.



60C1200-1290

REF. NO.	PART NO. CODIGO NO.	DESCRIPTION DESCRIPTION	60D2			REMARKS OBSERVACION
28	703-48223-00	.LOCK, NEUTRAL .CERRADURA NEUTRO	1			
29	703-48225-00	.COVER .CUBIERTA	1			
30	703-48219-00	.COVER, LEAD .CUBIERTA	1			
31	703-48281-00	.SCREW .TORNILLO 1	2			
32	703-48282-00	.SCREW .TORNILLO 2	7			
33	97380-08030	.BOLT .PERNO	1			
34	92990-08600	.WASHER, PLATE .ARANDELA	1			
35	98580-04010	.SCREW, PAN HEAD .TORNILLO DE CABEZA CON PLANA	3			
36	98580-04006	.SCREW, PAN HEAD .TORNILLO DE CABEZA CON PLANA	2			
37	98580-05010	.SCREW, PAN HEAD .TORNILLO DE CABEZA CON PLANA	1			
38	98580-03015	.SCREW, PAN HEAD .TORNILLO DE CABEZA CON PLANA	2			
39	703-48291-10	.SCREW (M6) .TORNILLO (M6)	3			
40	95380-06600	.NUT, HEXAGON .TUERCA	3			
41	703-48293-10	.SPACER, REMOTE CONTROL .ESPACIADOR	1			SINGLE
42	701-48287-00	.WASHER .ARANDELA	3			
43	703-48215-00	.GRAPHIC .CALCOMANIA 1	1			
44	703-82510-12	.MAIN SWITCH ASSY .CONJUNTO DE LLAVE IGNICION	1			FOR PRIME START MODEL
45	676-82577-00	.CAP, KEY .TAPA	1			
46	703-82531-00	.WIRE, LEAD .CABLE CONDUCTOR	1			
47	688-82575-01	.ENGINE STOP SWITCH ASSY .INTERRUPTOR DE PARADA COMPL	1			
48	682-82556-00	.STOPPER .RETENER	1			
49	688-8258A-20	.EXTENSION, WIRE HARNESS .EXTENSION, ARNES DE CABLES	1			L:5M (10P)
50	703-82540-00	.NEUTRAL SWITCH ASSY .INTERRUPTOR NEUTRAL COMPL	1			
51	703-83383-A0	.BUZZER .ZUMBADOR	1			
52	703-48284-00	.GROMMET .TAPON 1	1			
53	703-82591-00	.BAND .BANDA	1			
54	703-82592-00	.BAND .BANDA	1			

FIG. 33 REMOTE CONTROL ASSY CONTROL REMOTO COMPL.

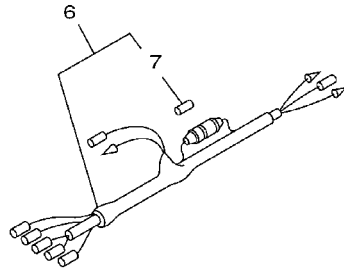
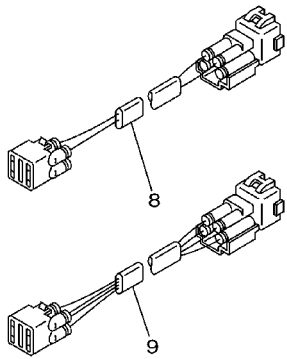
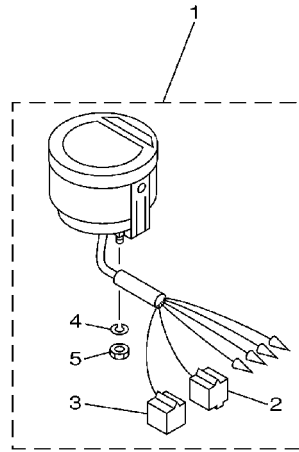


60C1200-1290

REF. NO.	PART NO. CODIGO NO.	DESCRIPTION DESCRIPTION	60D2				REMARKS OBSERVACION
55	703-82563-02	.TRIM & TILT SWITCH ASSY .INTERRUPTOR DE INCLINACION	1				
56	703-48221-00	.LEVER, CONTROL .PALANCA CONTROL	1				
57	703-48152-00	.KNOB, FREE ACCEL. .PERILLA	1				
58	703-48212-00	.BACK PLATE 1 .PLACA TRASERA 1	1				
59	703-48213-00	.BACK PLATE 2 .PLACA TRASERA 2	1				
60	703-48271-00	.ARM, SHIFT .BRAZO CAMBIADOR	1				
61	703-48211-01	.HOUSING,1 .CAJA	1				
62	703-48232-00	.GEAR .ENGRANAJE 1	1				
63	703-82542-00	.CAP .TAPA	1				
64	703-48218-00	.GRAPHIC .CALCAMONIA	1				

FIG. 34 METER

MEDIDOR

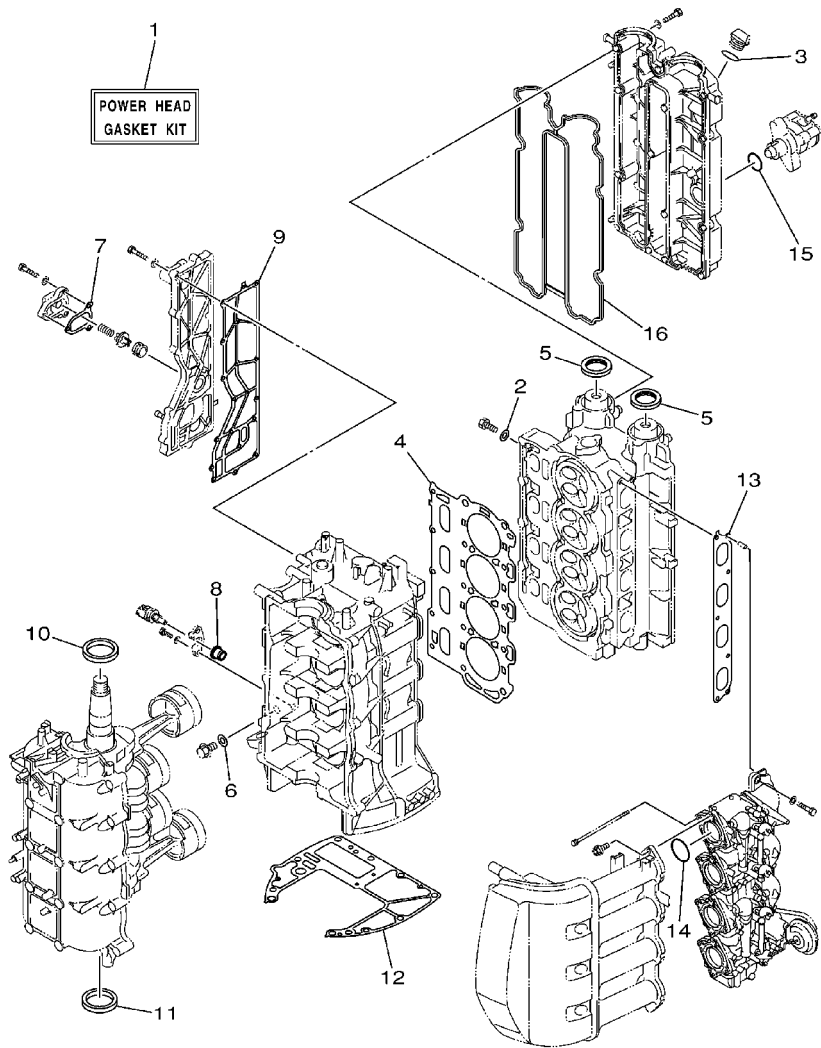


REF. NO.	PART NO. CODIGO NO.	DESCRIPTION DESCRIPTION	60D2				REMARKS OBSERVACION
1	6Y5-8350T-01	DIGITAL TACHOMETER ASSY TACOMETRO DIGGITAL COMPLETO	1				AP
2	9E450-04433	.CONNECTOR .CONECTOR	1				M-4-W
3	9E450-04533	.CONNECTOR .CONECTOR	1				F-4-W
4	92990-04100	.WASHER, SPRING .ARANDELA	2				
5	95380-04600	.NUT .TUERCA	2				
6	6Y5-83553-00	WIRE, LEAD CABLE CONDUCTOR	1				AP
7	1E6-82151-00	.FUSE (10A) .FUSIBLE (10A)	1				
8	6R3-82521-70	WIRE, LEAD CABLE CONDUCTOR	1				AP
9	6R3-82553-70	EXTENSION, WIRE LEAD CABLE	1				AP

60C1200-1300

FIG. 35 REPAIR KIT 1

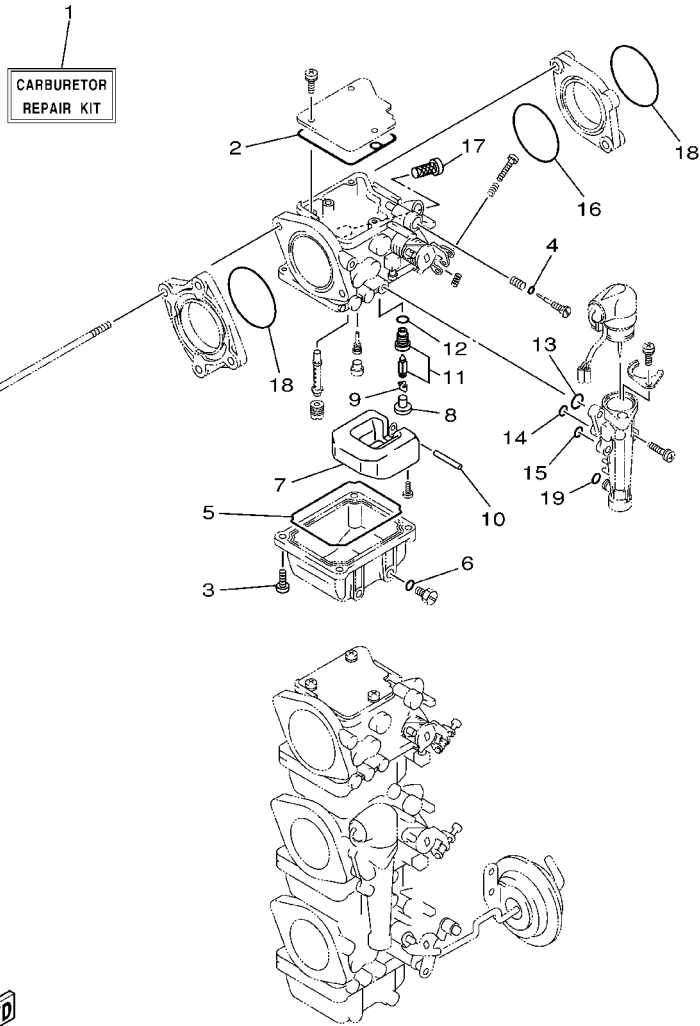
ESTUCHE REPARATION 1



REF. NO.	PART NO. CODIGO NO.	DESCRIPTION DESCRIPTION	60D2	REMARKS OBSERVACION
1	60C-W0001-00	POWER HEAD GASKET KIT JUEGO DE EMPAQUE DE MOTOR	1	
2	90430-08143	.GASKET .JUNTA	4	
3	93210-24M79	.O-RING .ANILLO O	1	
4	67F-11181-01	.GASKET, CYLINDER HEAD 1 .JUNTA, DE CULATA 1	1	
5	93102-38M59	.OIL SEAL .SELLO ACEITE	2	
6	90430-14115	.GASKET .JUNTA	1	
7	67F-12435-A0	.GASKET .EMPAQUE	1	
8	68V-85753-00	.GASKET, SENDER UNIT .EMPAQUE DE UNIDAD TRANSMISORA	1	
9	67F-41114-A0	.GASKET, EXHAUST OUTER COVER .EMPAQUE	1	
10	93102-48008	.OIL SEAL .SELLO ACEITE	1	
11	93101-48001	.OIL SEAL .SELLO ACEITE	1	
12	67F-11351-01	.GASKET, CYLINDER .JUNTA, DE CILINDRO	1	
13	67F-13645-00	.GASKET, MANIFOLD 1 .EMPAQUE	1	
14	93210-41MJ2	.O-RING .ANILLO O	4	
15	93210-30682	.O-RING .ANILLO O	1	
16	67F-11356-00	.SEAL, CYLINDER 2 .RETEN ACEITE CILINDRO 2	1	



60C1200-1310



67F0100-9380

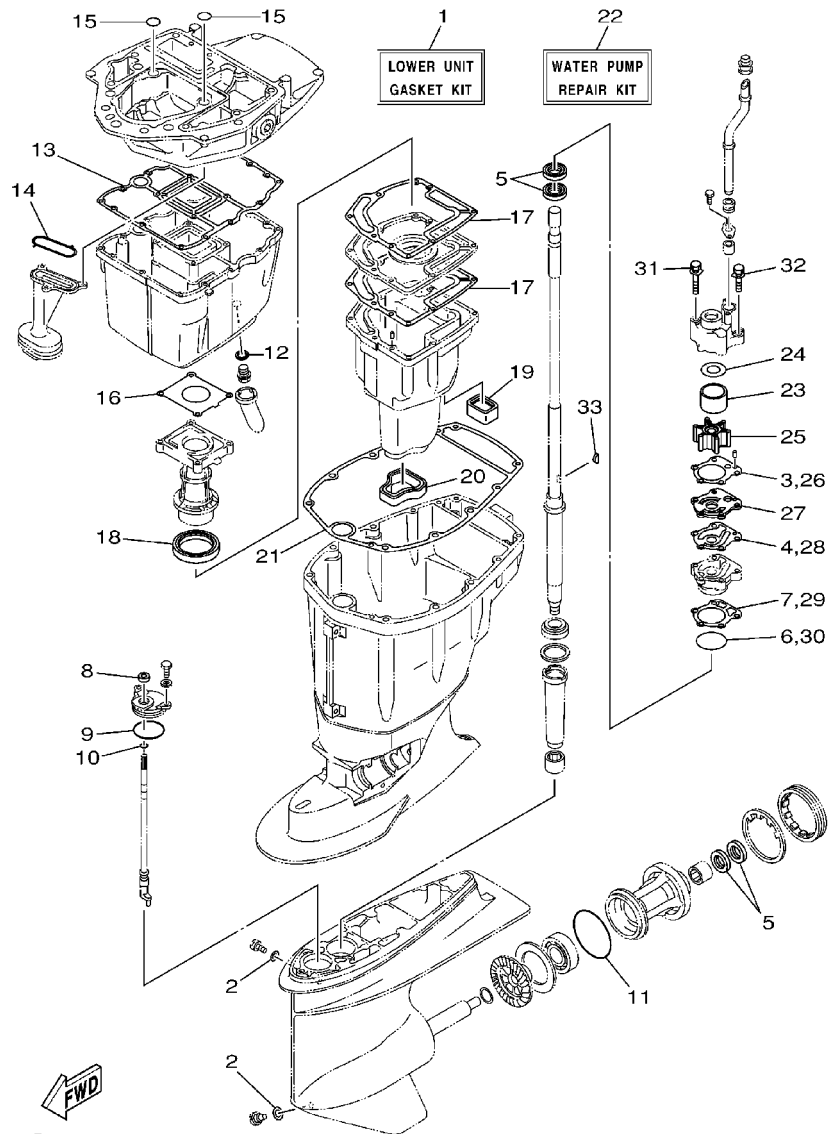
FIG. 36 REPAIR KIT 2

ESTUCHE REPARATION 2

REF. NO.	PART NO. CODIGO NO.	DESCRIPTION DESCRIPTION	60D2	REMARKS OBSERVACION
1	60C-W0093-00	CARBURETOR REPAIR KIT KIT REPARACION CARBURADOR	1	
2	67F-14147-00	.O-RING .ANILLO O	1	
3	97980-04114	.SCREW, WITH WASHER .TORNILLO, CON ARANDELA	4	
4	67F-14397-00	.O-RING .ANILLO O	1	
5	67F-14984-00	.GASKET, FLOAT CHAMBER EMPAQUE CAMARA DE BOIA	1	
6	93210-04230	.O-RING .ANILLO O	1	
7	6H4-14985-01	.FLOAT .BOIA	1	
8	676-14186-00	.PIN, FLOAT .PASADOR DE LA BOYA	1	
9	663-14159-00	.CLIP .PRESILLA	1	
10	6H4-14548-00	.PIN, FLOAT ARM .PASADOR DE BRAZO DE BOIA	1	
11	6H3-14590-00	.NEEDLE VALVE ASSY .VALVULA DE AGUJA COMPLETA	1	
12	93210-04228	.O-RING .ANILLO O	1	
13	67F-14398-00	.O-RING .ANILLO O	1	
14	67F-14398-10	.O-RING .ANILLO O	2	
15	67F-14398-20	.O-RING .ANILLO O	1	
16	67F-14239-00	.SEAL .SELLO	1	
17	67F-14371-01	.ELEMENT, FILTER .ELEMENTO DEL FILTRO	1	
18	93210-40M10	.O-RING .ANILLO O	2	
19	67F-14398-30	.O-RING .ANILLO O	1	

FIG. 37 REPAIR KIT 3

ESTUCHE REPARATION 3

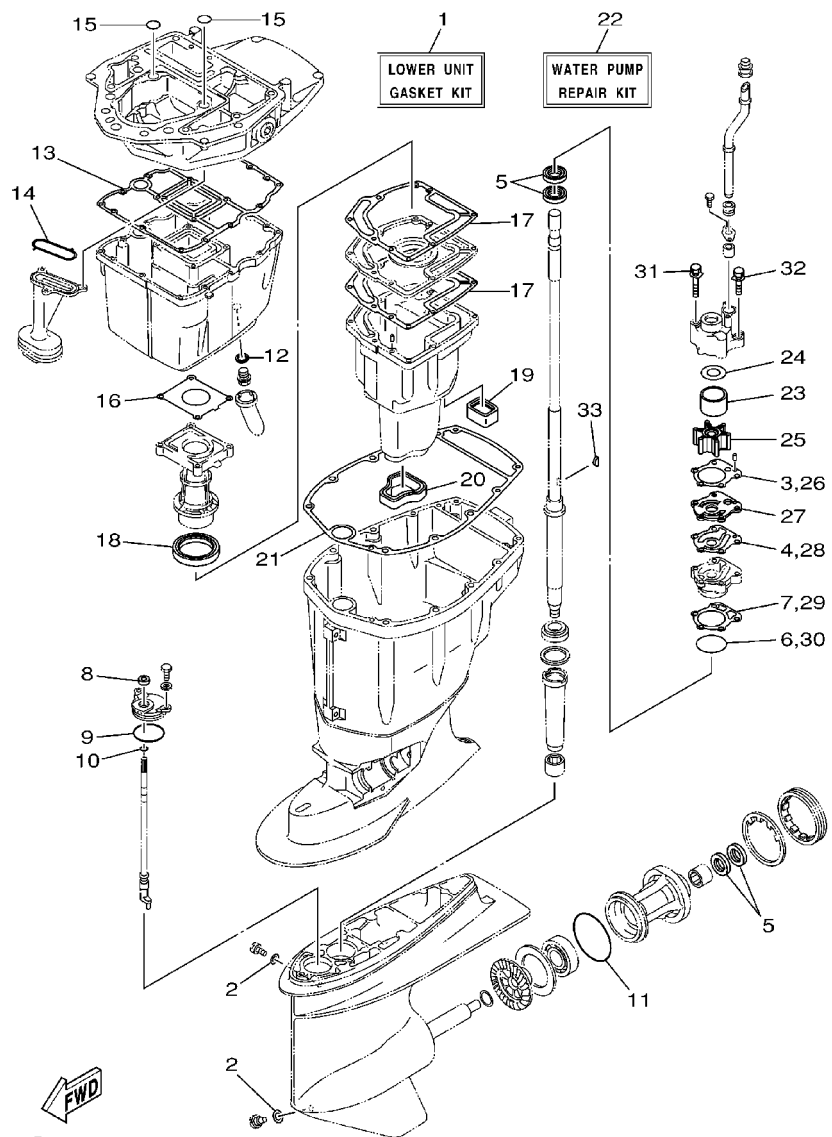


60D1200-1340

REF. NO.	PART NO. CODIGO NO.	DESCRIPTION DESCRIPTION	60D2	REMARKS OBSERVACION
1	67F-W0001-20	LOWER UNIT GASKET KIT JUEGO DE EMPAQUE UNIDAD INFER.	1	
2	90430-08020	.GASKET .JUNTA	2	
3	688-44315-A0	.GASKET, WATER PUMP .EMPAQUE	1	
4	688-44324-A0	.GASKET, CARTRIDGE .EMPAQUE	1	
5	93101-25M03	.OIL SEAL .SELLO ACEITE	4	
6	93210-46044	.O-RING .ANILLO O	1	
7	688-44316-A0	.GASKET, WATER PUMP .EMPAQUE	1	
8	93106-09014	.OIL SEAL .SELLO ACEITE	1	
9	93210-49046	.O-RING .ANILLO O	1	
10	93210-07003	.O-RING .ANILLO O	1	
11	93210-86M39	.O-RING .ANILLO O	1	
12	90430-14M09	.GASKET .JUNTA	1	
13	67F-15312-00	.GASKET, OIL PAN .EMPAQ BANDEJA DE ACEITE	1	
14	67F-13415-00	.SEAL, OIL STRAINER .SELLO COLADOR ACEITE	1	
15	93210-19MJ1	O-RING ANILLO O	2	
16	67F-41133-A0	.GASKET, EXHAUST MANIFOLD 1 .EMPAQUE ESCAPE MULTIPLE	1	
17	67F-41134-A0	.GASKET, EXHAUST MANIFOLD .EMPAQUE	2	
18	67F-41138-00	.SEAL, EXT. 1 .SELLO, ESCAPE 1	1	
19	67F-45127-00	.SEAL .SELLO DE GOMA	1	
20	67F-45123-00	.GASKET, MUFFLER .EMPAQUE SILENCIADOR	1	
21	67F-45113-00	.GASKET, UPPER CASING .EMPAQUE	1	
22	60D-W0078-00	WATER PUMP REPAIR KIT ESTUCHE REPARACION BOMBA AGUA	1	
23	60D-44322-40	.INSERT, CARTRIDGE .CARTUCHO	1	
24	688-44321-41	.INNER PLATE, CARTRIDGE .PLACA INTERIOR CARTUCHO	1	
25	67F-44352-00	.IMPELLER .IMPULSOR	1	
26	688-44315-A0	.GASKET, WATER PUMP .EMPAQUE	1	
27	60D-44323-40	.OUTER PLATE, CARTRIDGE .PLACA EXTERIOR DEL CARTUCHO	1	

FIG. 37 REPAIR KIT 3

ESTUCHE REPARATION 3



60D1200-1340

REF. NO.	PART NO. CODIGO NO.	DESCRIPTION DESCRIPTION	60D2			REMARKS OBSERVACION
28	688-44324-A0	.GASKET, CARTRIDGE .EMPAQUE	1			
29	688-44316-A0	.GASKET, WATER PUMP .EMPAQUE	1			
30	93210-46044	.O-RING .ANILLO O	1			
31	90119-08M87	.BOLT, WITH WASHER .TORNILLO CON ARANDELA	2			
32	90119-08M13	.BOLT, WITH WASHER .TORNILLO CON ARANDELA	2			
33	90280-04M04	.KEY, WOODRUFF .CUNA WOODRUFF	1			

NUMERICAL INDEX
INDICE NUMERICO

PART NO. CODIGO NO.	REF. NO.	PART NO. CODIGO NO.	REF. NO.	PART NO. CODIGO NO.	REF. NO.	PART NO. CODIGO NO.	REF. NO.	PART NO. CODIGO NO.	REF. NO.	PART NO. CODIGO NO.	REF. NO.
K0A-A3721-00	5-7	67F-11656-00	3-10	67F-12169-F0	5-10	67F-14147-00	7-7	67F-14567-00	7-14	68F-24356-00	8-14
K0A-A3722-00	5-8	67F-11656-10	3-10	67F-12169-G0	5-10	67F-12169-H0	36-2	6K7-14573-00	13-17	6Y2-24360-52	30-12
60C-W0001-00	35-1	67F-11656-20	3-10	67F-12169-H0	5-10	663-14159-00	7-29	6H2-14578-00	7-21	63D-24364-00	18-13
67F-W0001-20	37-1	67F-11656-30	3-10	67F-12169-J0	5-10	67F-12169-K0	36-9	67F-14585-00	8-10	63D-24367-00	18-12
67F-W0070-10	1-16	68V-12111-00	5-1	67F-12169-L0	5-10	67F-14178-00	7-36	6H3-14590-00	36-11	67F-24367-00	16-30
60D-W0078-00	37-22	67F-12114-00	5-4	67F-12169-L0	5-10	676-14186-00	7-28	60C-14590-00	7-32	68V-24374-00	9-22
67G-W0084-01-4D17	1	67F-12116-00	5-3	67F-12169-M0	5-10	67F-14189-00	36-8	67F-14592-00	7-37	6R3-24377-00	9-2
60C-W009A-00-1S	4-1	67F-12117-00	5-5	67F-12169-N0	5-10	67F-14216-00	8-11	60D-14711-00-5B	26-11	688-24378-00	8-17
60C-W009B-00-1S	2-1	67F-12118-00	5-6	67F-12169-00	5-10	67F-14216-00	6-2	60C-14901-00	7-1	68V-24410-00	9-16
60C-W0093-00	36-1	68V-12121-00	5-2	67F-12169-10	5-10	67F-14239-00	6-3	60C-14901-10	7-1	68V-24411-00	9-21
60C-W1164-00	3-7	67F-12138-60	10-24	67F-12169-20	5-10	67F-14239-00	36-16	60C-14902-00	7-2	68V-24412-00	9-17
60C-W1164-10	3-7	67F-12153-00	5-9	67F-12169-30	5-10	67F-14243-00	6-1	60C-14902-10	7-2	68V-24413-00	9-23
67F-11110-10-94	4-2	67F-12168-A0	5-10	67F-12169-40	5-10	67F-14271-00	6-4	60C-14904-00	7-3	68V-24414-00	9-24
62Y-11119-00	2-8	67F-12168-B0	5-10	67F-12169-50	5-10	60C-14294-00	8-15	60C-14904-10	7-3	68V-24423-00	9-20
67F-11133-10	4-3	67F-12168-C0	5-10	67F-12169-60	5-10	60C-14298-00	8-16	67F-14903-00	7-4	68V-24444-00	9-25
67F-11168-00	4-22	67F-12168-D0	5-10	67F-12169-70	5-10	67F-14325-00	7-43	67F-14943-83	7-13	68V-24454-00	9-18
67F-11181-01	4-17	67F-12168-E0	5-10	67F-12169-80	5-10	67F-14349-00	8-3	67F-14947-00	7-12	68V-24469-01	9-9
	35-4	67F-12168-F0	5-10	67F-12171-00	5-11	67F-14349-10	8-4	67F-14948-04	7-11	67F-24491-00	9-34
68V-11191-00-1S	4-21	67F-12168-G0	5-10	67F-12181-00	5-12	67F-14349-20	8-5	676-14966-00	7-9	68V-24495-00	9-31
67F-11192-00	4-29	67F-12168-H0	5-10	68V-12411-00	4-31	67F-14349-30	8-6	67F-14980-00	7-22	68V-24521-01	9-6
67F-11325-00	2-24	67F-12168-J0	5-10	68V-12413-00-1S	4-32	67F-14349-40	8-7	67F-14980-10	7-23	60C-24560-00	9-5
	4-8	67F-12168-K0	5-10	6G5-12416-00	2-18	67F-14349-50	8-8	67F-14984-00	7-24	61N-24563-00	9-7
67F-11327-00-94	2-25	67F-12168-L0	5-10	67F-12434-00	2-31	67F-14349-60	8-9		36-5	68V-24566-00	9-11
	4-9	67F-12168-M0	5-10	67F-12435-A0	2-22	67F-14349-70	8-12	6H4-14985-01	7-27	67F-24575-00	9-30
67F-11328-00	2-28	67F-12168-N0	5-10		35-7	67F-14355-00	7-46		36-7	6YJ-24610-01	30-2
	4-12	67F-12168-P0	5-10	67F-1246A-00-1S	2-21	67F-14369-00	7-42	6H3-14992-00	7-25	67G-26301-10	17-40
67F-11351-01	2-34	67F-12168-R0	5-10	67F-13119-01	27-18	67F-14371-01	7-44	67F-14998-00	7-19	67F-28100-00	9-37
	35-12	67F-12168-S0	5-10	68V-13131-00	9-19		36-17	67F-15100-02-1S	2-2	67F-2812A-00	12-23
67F-11356-00	4-26	67F-12168-T0	5-10	67F-13183-00	8-2	67F-14378-00	7-34	67F-15142-00	2-12	6A1-28176-00	16-40
	35-16	67F-12168-U0	5-10	67F-13300-03	27-14	67F-14380-01	7-35	67F-15311-00-5B	27-1	67F-41113-01-1S	2-13
67F-11411-00	3-1	67F-12168-V0	5-10	67F-13314-01	27-15	67F-14397-00	7-20	67F-15312-00	27-8	67F-41114-A0	2-14
67F-11416-00	3-4	67F-12168-W0	5-10	67F-13329-00	27-17		36-4		37-13		35-9
67F-11416-10	3-4	67F-12168-X0	5-10	67F-13338-00	27-21	67F-14398-00	7-38	67F-15316-00	27-2	60C-41131-00-5B	26-7
67F-11416-20	3-4	67F-12168-Y0	5-10	67F-13411-00	27-9		36-13	68V-15362-00	27-26	67F-41133-A0	26-8
67F-11417-00	3-5	67F-12168-00	5-10	67F-13415-00	27-13	67F-14398-10	7-40	6G8-15363-00	4-35		37-16
67F-11417-10	3-5	67F-12168-10	5-10		37-14		36-14	67F-15373-00	6-13	67F-41134-A0	26-17
67F-11417-20	3-5	67F-12168-20	5-10	67F-13434-02	1-20	67F-14398-20	7-41	1UF-22434-00	24-41		37-17
67F-11417-30	3-5	67F-12168-30	5-10	67F-13437-60	10-25		36-15	67F-22435-00	24-22	67F-41137-01-94	26-3
67F-11418-00	3-6	67F-12168-40	5-10	5GH-13440-00	2-39	67F-14398-30	7-45	67F-22471-01	24-36	67F-41138-00	26-19
67F-11418-10	3-6	67F-12168-50	5-10	67F-13448-00	2-42		36-19	68V-22419-00	9-26		37-18
67F-11418-20	3-6	67F-12168-60	5-10	67F-13473-01	27-16	67F-14440-00	6-19	6YJ-24167-00	30-7	67F-41213-01	20-41
67F-11536-00	5-23	67F-12168-70	5-10	67F-13631-02	27-19	63V-14523-00	7-17	6YJ-24201-10	30-1	67F-41237-00	20-38
67F-11537-00	5-14	67F-12168-80	5-10	67F-13641-00-94	6-6	6H4-14548-00	7-30	6Y1-24260-12	30-3	682-41237-00	20-39
67F-11590-00	5-18	67F-12169-A0	5-10	67F-13645-00	6-12		36-10	6Y1-24268-00	30-6	67F-41661-00-94	20-35
67F-11595-00	5-21	67F-12169-B0	5-10		35-13	67F-14555-00	7-15	6Y2-24305-04	30-13	67G-42111-00-4D	17-2
60C-11603-00	3-9	67F-12169-C0	5-10	67F-13769-00	27-20	697-14555-00	7-5	6Y2-24306-42	30-8	67G-42115-00	17-18
60C-11604-00	3-9	67F-12169-D0	5-10	67F-1412A-00	8-1	67F-14556-00	7-16	6Y1-24329-00	30-5	664-42119-00	17-3
67F-11654-00	3-8	67F-12169-E0	5-10	67F-14146-00	7-6	67F-14565-00	7-39	6E5-24351-51	30-10	67G-42121-00-4D	17-56

NUMERICAL INDEX
INDICE NUMERICO

PART NO. CODIGO NO.	REF. NO.	PART NO. CODIGO NO.	REF. NO.	PART NO. CODIGO NO.	REF. NO.	PART NO. CODIGO NO.	REF. NO.	PART NO. CODIGO NO.	REF. NO.	PART NO. CODIGO NO.	REF. NO.
63D-42126-00	17-11	67F-42816-00-4D	16-6	67F-4385A-01	24-11	67F-43899-00	24-28	67F-44555-00-94	22-24	688-45587-01-30	28-16
67G-42131-00	17-50	67F-42818-00	16-9	67F-4385H-00	24-84	67G-44100-00	17-15	67F-44575-00	22-32	688-45587-01-40	28-16
6H2-42137-00	17-5	67F-42828-00-5B	16-7	67F-43850-00	24-85	67G-44104-00	17-16	67F-445111-10-4D	26-22	688-45587-01-50	28-16
650-42152-00-94	17-19	67F-43111-00-4D	21-1	67F-43851-00	24-61	67G-44113-00	17-22	67F-45113-00	26-31	67F-45611-00	28-60
67G-42153-00	17-25	67F-43112-00-4D	21-4	65W-43853-00	24-19	67F-44117-00	20-5		37-21	67F-45631-00	28-50
67F-42154-00-94	20-26	67F-43126-00	21-28	61A-43854-00	24-69	67F-44118-00	20-18	67F-45123-00	26-21	688-45633-00	28-52
67G-42159-00	17-21	64E-43131-01	21-12	6H1-43856-10	24-81	67F-44120-10	20-14		37-20	67F-45634-00	28-44
6G1-42177-00	17-4	64E-43139-02	22-4		24-87	67F-44120-30	20-14	67F-45127-00	26-20	6H1-45635-00	28-46
67G-42508-00	19-1	64D-43144-00	16-14	67F-43857-00	24-34	67F-44121-00	20-11		37-19	6H1-45668-00	28-45
67F-42510-10-4D	22-8	66T-43144-00	21-22	6T4-4386A-00	24-33	688-44122-00	20-8	67F-45151-00	26-27	688-45930-02-98	29-24
67G-42526-00	19-11	6E5-43145-01	31-8	65W-4386A-00	24-17	67G-44132-00	17-26	67F-45155-00	26-30	688-45932-60-98	29-24
63D-42527-00	19-6	67F-43181-00	21-18	67F-4386A-00	24-90	67F-44135-00	20-42	67F-45180-00-4D	23-1	6E5-45941-00-EL	29-24
63D-42528-00	19-17	67F-43311-10-4D	21-7	688-4386F-00	24-18	67F-44150-00	28-40	67F-45181-00-5B	26-18	6E5-45943-00-EL	29-24
67G-42541-00	19-4	682-43318-01	19-8	67F-4386K-00	25-6	67G-44159-00-4D	17-45	688-45211-01-4D	26-39	6E5-45945-01-EL	29-24
67G-42541-10	19-7	67F-43631-00	21-20	67F-43860-20	24-67	67G-44173-00	17-46	6H1-45214-00	29-9	6E5-45947-00-EL	29-24
624-42542-00	11-3	67F-4380F-00	25-7	65W-43861-00	24-82	6G8-44191-00	17-48	6H1-45215-00	29-10	6E5-45949-00-EL	29-24
67G-42546-00	19-5	67F-4380K-00	24-3	67F-43861-00	24-14	67F-44311-00	28-17	6H1-45251-03	21-37	6E5-45952-00-EL	29-24
67G-42561-00	19-15	67F-4380R-00	24-8	62X-43862-00	24-15	688-44315-A0	28-28	60D-45300-10-4D	28-1	6E5-45954-00-EL	29-24
67G-42562-00	19-16	67F-43800-03-4D	24-1	65W-43862-00	24-76		37-3	60D-45300-30-4D	28-1	6E5-45956-00-EL	29-24
67F-42610-10-4D	1-1	67F-43802-00	24-49	67F-43862-00	24-30		37-26	67F-45301-00-4D	28-2	688-45970-03-98	29-24
67F-42613-00-4D	1-10	67F-43804-00	25-3	67F-43863-00	24-27	688-44316-A0	28-34	67F-45318-00	26-25	688-45972-02-98	29-24
67F-42615-00	1-13	67F-43805-00	25-2	62X-43865-00	24-31		37-7	688-45321-00	28-35	688-45974-02-98	29-24
61N-42628-00	1-12	67F-43808-00	24-63		24-55		37-29	67F-45331-00-94	28-61	688-45976-01-98	29-24
67F-42628-00	1-19	67F-4381B-00	24-38	6H1-43866-00	24-51	688-44321-41	28-25	688-45341-10	28-4	688-45978-60-98	29-24
67F-42647-00	1-2	67F-4381J-00	24-35	6H1-43867-00	24-54		37-24	67F-45371-00	29-13	688-45987-01	29-19
67F-42649-00	1-8	67F-43810-01	24-4	62X-43871-00	24-24	60D-44322-40	28-24	688-45375-00	29-17	67F-45997-00	29-20
67F-42652-00	1-5	6H1-43812-00	24-13	67F-43871-00	24-43		37-23	663-45376-00-94	29-18	67F-46241-00	5-17
67F-42662-00	1-9	6H1-43816-00	24-60	6H1-43872-10	24-6	60D-44323-40	28-29	6E5-45378-00	28-6	63D-48119-00	17-24
67F-42677-10	1-14	67F-43816-00	24-29		24-9		37-27	688-45383-02	28-67	703-48152-00	33-57
67F-42678-10	1-15	65W-43817-00	24-83	6H1-43875-00	24-73	688-44324-A0	28-30	688-45384-00	28-68	703-48153-00	33-3
67F-42681-10	1-17	67F-43817-00	24-52	61A-43875-00	24-71		37-4	67F-45501-10	28-10	63D-48154-00	17-12
67F-42682-10	1-18	67F-43818-00	21-32	62X-43875-00	24-42		37-28	67F-45501-30	28-10	703-48189-00	33-17
67F-42710-00-4D	16-1	67F-4382F-00	24-50	67F-43875-00	24-37	688-44341-01-94	28-31	688-45536-01	28-14	703-48198-00	33-14
648-42715-00	20-23	67F-4382G-00	24-64	67F-43875-00	24-59	67F-44352-00	28-26	67F-45551-00	28-11	703-48205-A4	32-1
61A-42716-00	16-32	67F-43821-00	24-5	67F-43879-00	25-13		37-25	67F-45560-00	28-53		33-1
67F-42717-00	16-25	67F-43825-03	24-58	67F-4388A-00	24-32	67F-44361-10	29-2	688-45567-01-10	28-56	703-48211-01	33-61
67F-42724-00	26-2	6H1-43829-00	24-44	67F-43880-00	24-91	67F-44361-30	29-2	688-45567-01-12	28-56	703-48212-00	33-58
63D-42725-00	17-55	67F-43830-00	24-78		25-1	67F-44365-00	29-3	688-45567-01-15	28-56	703-48213-00	33-59
68V-42725-10	16-19	6H1-43831-10	24-48	67F-43881-00	25-9	663-44366-00	28-21	688-45567-01-18	28-56	703-48215-00	33-43
688-42726-10	16-22	6H1-4384F-10	24-79	67F-43882-00	25-10	67F-44367-00	29-1	688-45567-01-30	28-56	703-48218-00	33-64
6G1-42727-00	26-6	62X-4384H-00	24-40	67F-43886-00	25-8	6H3-44391-01	16-23	688-45567-01-40	28-56	703-48219-00	33-30
67G-42735-00	18-3	67F-43840-02	24-2	67F-43887-00	25-12	67F-44514-00-94	22-16	688-45567-01-50	28-56	703-48221-00	33-56
67F-42738-00-5B	16-17	62X-43841-00	24-56	65W-43888-00	24-57	6H1-44526-00	21-39	67F-45571-00	28-57	703-48222-00	33-27
67F-42741-00-4D	16-33	67F-43843-00	24-89	67F-43891-00	25-4	67F-44526-00	22-19	67F-45576-00	28-65	703-48223-00	33-28
6H4-42748-00	16-24	6H1-43844-10	24-80	67F-43893-00	24-20	67F-44533-00	22-22	688-45587-01-10	28-16	703-48225-00	33-29
67F-42756-00	16-20	61A-43845-00	24-70	67F-43895-00	24-88	68F-44533-00	2-38	688-45587-01-12	28-16	703-48226-00	33-26
67F-42761-00-94	2-35	61A-43847-00	24-75	67F-43896-00	25-11	67F-44551-00-4D	22-14	688-45587-01-15	28-16	703-48227-00	33-24
67F-42815-00-4D	16-5	61A-43848-00	24-68	62X-43899-00	24-39	67F-44553-00-4D	22-33	688-45587-01-18	28-16	703-48232-00	33-62

NUMERICAL INDEX
INDICE NUMERICO

PART NO. CODIGO NO.	REF. NO.	PART NO. CODIGO NO.	REF. NO.	PART NO. CODIGO NO.	REF. NO.	PART NO. CODIGO NO.	REF. NO.	PART NO. CODIGO NO.	REF. NO.	PART NO. CODIGO NO.	REF. NO.
703-48234-00	33-18	67F-81809-00	15-19	67F-82361-00	11-17	67F-83635-00	13-18	90119-07235	4-5	90201-08M12	9-33
703-48235-00	33-4	67F-81810-00	15-3	67F-81810-00	11-21	64E-83672-02	22-1		9-35	90201-09M02	20-16
63D-48236-00	17-23	67F-81813-00	15-6	67F-82362-00	11-18	63D-83728-00	18-26	90119-08M13	28-20	90201-10M02	20-45
703-48236-00	33-16	67F-81820-00	15-7		11-22	60C-8431R-00	14-5		37-32	90201-10M20	31-2
63D-48237-00	17-27	67F-81821-00	15-13	67F-82377-00	16-39	67F-85510-01	10-4	90119-08M22	16-2	90201-10M63	31-6
63D-48238-00	17-29	6K7-81826-10	15-24	68V-82504-00	13-25	663-85518-00	20-27	90119-08M58	26-1	90201-10M76	19-10
703-48238-00	33-22	67F-81828-00	15-25	67G-82510-20	18-9	67F-85540-01	11-1	90119-08M59	6-22	90201-12M01	23-2
703-48243-00	33-15	67F-8183R-00	15-16	703-82510-12	33-44	689-85547-00	9-1	90119-08M66	2-5	90201-12M05	21-45
703-48244-00	33-21	67F-8183T-00	15-18	63D-8252E-01-4D	18-10	67F-85550-00	10-1	90119-08M74	19-2	90201-12M16	22-20
703-48245-00	33-11	67F-81830-00	15-17	63D-8252F-01-4D	18-11	67F-85560-01	10-2	90119-08M84	29-8		22-27
703-48246-00	33-23	67F-81832-00	15-11	6R3-82521-70	34-8	67F-85570-00	11-5	90119-08M86	29-8		23-5
701-48248-00	33-13	67F-81836-00	15-12	67F-81831-00	33-46	67F-85580-00	10-3	90119-08M87	28-19	90201-13M01	21-44
703-48252-00	33-12	67F-81839-00	15-21	688-82540-11	18-4	68V-85753-00	13-6		37-31		22-21
67G-48261-00	17-17	67F-81840-00	15-4	703-82540-00	33-50		35-8	90119-08M91	4-20	90201-13M03	22-25
703-48261-01	33-2	67F-81841-00	15-14	703-82542-00	33-63	67F-85757-00	13-5	90119-10M06	5-15	90201-13M19	22-30
703-48264-00	33-6	67F-81842-00	15-20	6R3-82553-70	34-9	67F-85790-00	13-4	90119-10M08	26-23	90201-24M02	22-28
703-48265-00	33-9	67F-81846-00	15-26	67G-82554-01	18-5	61A-85885-00	13-12	90119-10M72	5-22	90201-25M02	10-15
703-48268-00	33-5	67F-81850-00	15-2	62Y-82555-00	18-6	66T-87149-00	12-13	90119-10M88	2-4	90201-25M05	28-59
703-48271-00	33-60	67F-81857-00	15-9	682-82556-00	18-21	9E450-04433	34-2	90149-05M13	17-7	90201-26M59	21-14
703-48281-00	33-31	67F-81869-00	15-23		33-48	9E450-04533	34-3	90151-05M00	29-11	90201-30M00	22-9
703-48282-00	33-32	67F-81891-00	15-15	63D-82563-10	13-26	90101-09M01	31-7	90159-06M18	17-47	90202-07M07	20-9
703-48284-00	33-52	60C-81916-00	12-34	67G-82563-00	18-23	90101-12M03	21-43	90159-06M28	16-35	90202-25M04	22-29
701-48287-00	33-42	67F-81919-00	12-37	703-82563-02	33-55	90101-12M09	17-57	90159-06M29	4-30	90204-06M00	12-5
703-48291-10	33-39	6G1-8194A-10	12-3	6E3-8257H-00	16-41	90105-10M67	29-14		12-35		12-9
703-48293-10	33-41	67F-81941-01	15-22	689-8257Y-00	18-22	90105-10M89	4-19	90167-05009	14-2		12-12
701-48320-70	32-2	67F-81942-00	12-22	63D-82575-00	18-20	90109-06M80	16-36	90170-06M30	12-4	90206-10M04	20-47
67G-48321-10	17-36	67F-81948-00	12-19	688-82575-01	33-47	90109-06M81	16-27		12-8	90206-12M00	20-30
663-48344-00	20-3	6E5-8195B-01	12-7	676-82577-00	33-45	90109-06M82	16-8		12-11	90206-12M22	17-59
	20-24	6E5-8195C-01	12-10	688-8258A-20	33-49		16-31	90170-09M03	31-4	90206-15M18	16-11
703-48345-01	33-19	6G1-81952-00	12-6	60C-82586-00	14-3	90109-06M86	13-29	90170-16M01	28-12	90250-07M02	28-51
703-48358-00	33-20	67F-81953-00	12-16	6E5-82587-00	13-27		16-15	90170-24M22	10-16	90269-02M09	17-6
67F-48511-00-4D	22-36	67F-81960-10	11-23	6E5-82588-00	16-26		16-21	90170-40003	5-24	90280-04M04	28-27
67G-48531-00	17-37	67F-82105-00	12-2	67F-82588-00	12-30		16-29	90171-16011	29-22		37-33
63D-48538-00	17-43	67F-82116-00	12-15	67F-82590-02	12-24		20-2	90179-06M24	1-11	90280-04008	5-25
66R-48538-00	17-41	6G5-82119-00	12-14	703-82591-00	33-53	90109-06M96	16-18	90183-02M03	28-49	90280-05015	10-14
67F-48538-00	20-1	682-82119-01	12-1	703-82592-00	33-54	90109-12M37	22-18	90185-05002	29-12	90282-04010	28-66
67F-61350-00	31-1	67F-82127-00	21-11	703-82594-00	33-25	90109-12M97	22-26	90185-08057	19-14	90340-08002	28-3
67F-8132G-01	13-1	6E5-82148-00	21-5	703-82594-00	33-25	90110-12M00	23-4	90185-09M01	31-3	90340-14M06	2-6
445-81328-20	10-7	67F-82148-00	21-25	6Y5-8350T-01	34-1	90116-10M05	26-35	90185-10M14	19-9		27-3
66T-81328-00	10-8	1E6-82151-00	34-7	6Y5-83504-20	14-1	90116-10175	22-37	90185-10051	22-38	90344-51019	4-4
67F-81332-00	10-17	67F-82151-00	12-25	6Y5-83553-00	34-6	90119-06MA2	2-23	90185-12M12	17-63	90386-06M12	20-12
67F-81337-01	10-20	67F-82151-10	12-26	6K3-83557-00	18-2	90119-06MA4	2-15	90185-22M11	21-15	90386-08032	17-10
63D-81345-20	10-5	67F-82181-00	25-5	6E5-83558-00	29-16	90119-06M59	11-4	90201-03313	28-48	90386-10M16	21-19
67F-81673-00	10-9	68V-82317-00	11-2	6E5-83558-10	28-8	90119-06M81	21-38	90201-05M03	13-21	90386-12M93	17-61
67F-81800-02	15-1	67F-82341-00	11-15	67F-83614-00	13-28	90119-06M82	6-20	90201-06M31	20-46	90386-12069	20-32
67F-81801-00	15-5	67F-82342-00	11-16	6A1-83625-41	10-26	90119-06M83	9-29	90201-06068	16-12	90386-15M73	16-10
67F-81807-00	15-10	67F-82343-00	11-19	6A1-83625-51	10-27	90119-06M92	10-23		20-29	90386-18MA0	21-34
67F-81808-00	15-8	67F-82344-00	11-20	67F-83626-00	12-36	90119-07234	4-7	90201-08M01	19-3	90386-18M35	21-29

NUMERICAL INDEX
INDICE NUMERICO

PART NO. CODIGO NO.	REF. NO.	PART NO. CODIGO NO.	REF. NO.	PART NO. CODIGO NO.	REF. NO.	PART NO. CODIGO NO.	REF. NO.	PART NO. CODIGO NO.	REF. NO.	PART NO. CODIGO NO.	REF. NO.
90386-18M63	21 - 30	90465-08M23	16 - 28	91318-06020	24 - 47	92995-06600	10 - 19	93102-38M59	5 - 16	93332-000U3	28 - 15
90386-25M31	21 - 13	90465-08M63	21 - 9	91318-06035	24 - 46		11 - 8		35 - 5	93410-18M05	21 - 31
90386-26MA3	17 - 49		22 - 3	91490-20010	17 - 14		11 - 11	93102-48008	3 - 2		21 - 36
90386-30M60	22 - 13	90465-08M83	8 - 23	91490-20015	20 - 17		11 - 14		35 - 10	93410-28M06	22 - 15
90386-30M77	22 - 12	90465-10M77	21 - 2	91490-40025	29 - 23		11 - 26	93106-09014	28 - 36	93420-36M01	26 - 26
90386-30M78	22 - 10	90465-11M10	2 - 17	91609-25014	9 - 32		11 - 29		37 - 8	93430-06024	33 - 10
90386-90M90	20 - 15		2 - 32	91690-30018	20 - 28		12 - 18	93210-04228	7 - 33	93501-04M02	20 - 21
90387-05M00	13 - 19		2 - 41	91690-30020	21 - 21		12 - 21		36 - 12	93501-08001	24 - 12
90387-06M43	16 - 38		6 - 14	91690-30025	17 - 20		12 - 29	93210-04230	7 - 26		24 - 16
90387-06M64	27 - 12		9 - 3	91690-50014	6 - 11		12 - 32		36 - 6		24 - 26
90387-06M71	10 - 21		9 - 10	91809-08006	4 - 6		13 - 3	93210-06100	24 - 72		24 - 86
90387-06M82	20 - 43		9 - 27		9 - 36		13 - 8	93210-064A5	24 - 65	93503-16003	24 - 25
90387-08M37	16 - 4		13 - 11	92903-08100	15 - 32		17 - 33	93210-07003	24 - 62		28 - 43
90387-10M08	4 - 18		13 - 16	92903-08600	15 - 28		17 - 35		28 - 41	93505-32038	24 - 66
90387-10M42	31 - 5		14 - 6		15 - 30		17 - 52		37 - 10	93602-07244	24 - 21
90387-12M02	17 - 60		22 - 6	92903-10600	17 - 8		17 - 54	93210-08287	30 - 14	93604-10M03	28 - 18
90387-18M01	21 - 33		22 - 7	92907-04600	4 - 24		18 - 8	93210-09165	24 - 45	93604-12M07	27 - 24
90387-22M01	21 - 35		28 - 9	92907-06600	27 - 11		18 - 15	93210-10M74	24 - 53	93605-10108	5 - 13
90389-25M00	29 - 21	90465-11M59	8 - 13	92990-04100	34 - 4		18 - 17	93210-11368	24 - 77	93606-12019	2 - 3
90401-20145	2 - 40	90465-12M03	6 - 16	92990-06100	1 - 3		18 - 19	93210-16275	31 - 9		26 - 34
90430-06014	6 - 8	90465-13M11	12 - 33	92990-06600	26 - 29		18 - 25	93210-18397	24 - 7		27 - 7
90430-08020	28 - 5	90465-13M24	18 - 27	92990-08600	33 - 34		20 - 7		24 - 10		29 - 4
	37 - 2	90465-13M30	18 - 28	92990-10100	26 - 37		20 - 20		24 - 74	93606-19M23	26 - 16
90430-08143	4 - 16	90467-20M15	2 - 33	92990-10600	26 - 36		20 - 34	93210-19MJ1	27 - 25	93608-16M16	26 - 5
	35 - 2		6 - 15	92990-12200	17 - 58		20 - 37		37 - 15		26 - 24
90430-14M09	27 - 4	90468-10005	17 - 39	92990-12600	17 - 62		21 - 27	93210-24M79	4 - 36	93700-06M03	21 - 8
	37 - 12		17 - 44		20 - 31		21 - 42		35 - 3	94702-00391	4 - 37
90430-14115	2 - 7	90468-18008	20 - 4	92995-05100	13 - 23		26 - 10	93210-29M94	22 - 11	95333-08600	15 - 31
	35 - 6		20 - 10	92995-05600	13 - 14		26 - 13	93210-29375	24 - 23	95380-04600	34 - 5
90445-07ME0	29 - 15		20 - 13		13 - 24		26 - 15	93210-30682	9 - 28	95380-05600	20 - 40
90445-07M31	28 - 7		20 - 25	92995-06100	10 - 12		27 - 6		35 - 15		33 - 7
90445-07M38	28 - 7	90480-01008	14 - 4		11 - 7		27 - 23	93210-32738	9 - 8	95380-06600	1 - 4
90445-10MG6	8 - 19	90480-10M23	13 - 20		11 - 10		28 - 38	93210-40M10	6 - 5		16 - 34
90445-10MG7	8 - 20	90480-12072	2 - 11		11 - 25	92995-08100	21 - 17		36 - 18		17 - 13
90445-10M16	8 - 18		4 - 25		11 - 28		26 - 33	93210-41MJ2	6 - 21		33 - 40
90445-10M40	2 - 16	90480-13M24	16 - 37		12 - 28	92995-08600	2 - 30		35 - 14	95380-08600	9 - 12
90445-13M01	30 - 9	90480-15M31	10 - 22		21 - 41		4 - 14	93210-46044	28 - 33	95380-10600	26 - 38
90445-13M11	9 - 15	90480-19M06	28 - 22	92995-06600	1 - 7		6 - 10		37 - 6	95380-12600	21 - 46
90445-13M27	9 - 4	90480-20M05	2 - 20		2 - 10		17 - 31		37 - 30	95380-12700	22 - 31
90445-13M35	30 - 11	90480-22M15	16 - 3		2 - 27		19 - 13	93210-49046	28 - 39		23 - 3
90445-15M03	5 - 20	90501-10326	7 - 18		2 - 37	92995-10100	22 - 35		37 - 9	95780-12300	22 - 23
90445-16M07	8 - 21	90501-12M48	28 - 47		4 - 11		29 - 6	93210-86M39	28 - 64		23 - 6
90446-24M79	18 - 1	90501-12082	20 - 22		4 - 28	92995-10600	29 - 7		37 - 11	97013-08016	15 - 29
90464-09M47	13 - 15	90501-16M11	2 - 19		4 - 34	93101-25M03	28 - 32	93306-207U0	28 - 58	97013-08045	15 - 27
	13 - 30	90501-23215	17 - 9		6 - 18		28 - 63	93315-325W4	28 - 13	97027-06025	27 - 10
90464-10M57	8 - 22	90506-14M24	21 - 24		8 - 25		37 - 5	93317-322V0	28 - 54	97075-06020	2 - 26
90465-06M86	11 - 12	90506-16M34	16 - 16		9 - 14	93101-48001	3 - 3	93317-325U0	28 - 62		4 - 10
	13 - 9	90506-16M39	5 - 19		10 - 13		35 - 11	93332-000UD	28 - 55	97075-06025	20 - 19

NUMERICAL INDEX
INDICE NUMERICO

PART NO. CODIGO NO.	REF. NO.	PART NO. CODIGO NO.	REF. NO.	PART NO. CODIGO NO.	REF. NO.	PART NO. CODIGO NO.	REF. NO.	PART NO. CODIGO NO.	REF. NO.
97075-06025	27 - 5	97095-06035	20 - 44						
97075-06030	26 - 12	97095-06040	20 - 6						
97075-06050	26 - 14	97095-06045	27 - 22						
97075-06070	26 - 9	97095-08014	4 - 15						
97075-08025	2 - 29	97095-08016	26 - 32						
	4 - 13	97095-08020	21 - 16						
97075-08035	6 - 9	97095-08025	19 - 12						
97075-10040	22 - 34	97095-08040	17 - 30						
	29 - 5	97380-05025	33 - 8						
97095-06010	6 - 7	97380-08030	33 - 33						
	13 - 10	97575-08445	22 - 17						
	21 - 3	97575-08540	26 - 4						
	21 - 10	97607-04110	10 - 6						
	21 - 23	97780-40512	28 - 23						
	21 - 26	97780-60525	22 - 5						
97095-06012	1 - 6	97803-04010	7 - 8						
	6 - 17	97880-06012	21 - 6						
	8 - 24	97880-06016	26 - 28						
	11 - 13	97885-05010	13 - 13						
	12 - 31	97885-05025	13 - 22						
	20 - 33	97885-06010	10 - 18						
97095-06014	17 - 34	97885-06016	17 - 53						
	17 - 38		18 - 24						
	17 - 42		22 - 2						
	18 - 7	97885-06040	17 - 51						
97095-06016	9 - 13	97980-04114	7 - 10						
	12 - 17		36 - 3						
	12 - 20	98507-04008	4 - 23						
	13 - 2	98580-03015	33 - 38						
	13 - 7	98580-04006	33 - 36						
	16 - 13	98580-04008	7 - 31						
	21 - 40	98580-04010	33 - 35						
	28 - 37	98580-05010	33 - 37						
97095-06020	2 - 9	98586-05016	30 - 4						
	11 - 9	98785-05014	17 - 28						
	11 - 27	99001-08600	28 - 42						
	12 - 27	99530-08012	10 - 10						
	18 - 16								
97095-06025	2 - 36								
	4 - 33								
	11 - 24								
	18 - 14								
	20 - 36								
97095-06030	4 - 27								
	10 - 11								
	11 - 6								
	17 - 32								
	18 - 18								

F100CET
PARTS CATALOGUE
©2001 by Yamaha Motor Co., Ltd.
1st Edition, Dec. 2001
All rights reserved.
Any reprinting or unauthorized use
without the written permission of
Yamaha Motor Co., Ltd.
is expressly prohibited.

F100CET
CATALOGO DE REPUESTOS
©2001, Yamaha Motor Co., Ltd.
1ª edición, Dic. 2001
Reservados todos los derechos.
Se prohíbe expresamente toda reimpresión
o utilización no autorizada de este manual
sin el consentimiento por escrito de
Yamaha Motor Co., Ltd.