

PARTS CATALOGUE

VT500XLH (8DX5) EUROPE

2B8DX-300E1

YAMAHA
GENUINE
Parts & Accessories

VT500XLH
PARTS CATALOGUE
©2002 by Yamaha Motor Co., Ltd.
1st Edition, May 2002
All rights reserved.
Any reprinting or unauthorized use
without the written permission of
Yamaha Motor Co., Ltd.
is expressly prohibited.

A3



A4

FOREWORD

This Parts Catalogue is related to the parts for the model(s) in the below frame. When you are ordering replacement parts, please refer to this Parts Catalogue and quote both part numbers and part names correctly.

VT500XLH(8DX5)

1. Modifications or additions which have been made after issue of the Parts Catalogue will be announced in the Yamaha Parts News.
It is advisable that you make necessary corrections to the Parts Catalogue according to the Yamaha Parts News.

2. Abbreviations

The following abbreviations are used in this Parts Catalogue.

“UR” Use specified parts number.

“UN” Use as many as needed.

“AP” Alternate Parts

“LM” Local Made (Parts need to be ordered locally)

“F#” Frame No. (Applicable machine No.)

3. Parts, which are to be supplied in an assembly, are listed with a dot(.) in front of the part name as shown below.

EXAMPLE

CARBURETOR ASSY

.JET, PILOT

.NOZZLE, MAIN

4. Number of component for assembly

The numeral appearing to the right of each component part indicates the quantity of parts for each assembly unit.

EXAMPLE

PART NO.	DESCRIPTION	Q'TY	REMARKS
2F5-83310-60	FRONT FLASHER LIGHT ASSY	2	
115-83311-60	.BULB (6V-18W)	1	

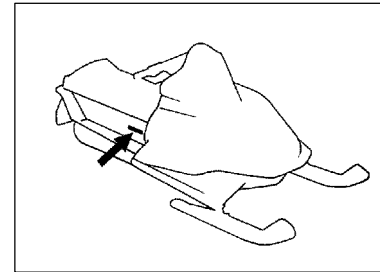
5. Applicable colors of graphics are represented in the “REMARKS” as shown below.

PART NO.	DESCRIPTION	Q'TY	REMARKS
2F5-83310-60	FRONT FLASHER LIGHT ASSY	2	
115-83311-60	.BULB (6V-18W)	1	

6. Applicable Starting Serial No. and Color Code

Starting Serial NO.: JYE8DX0063A012436

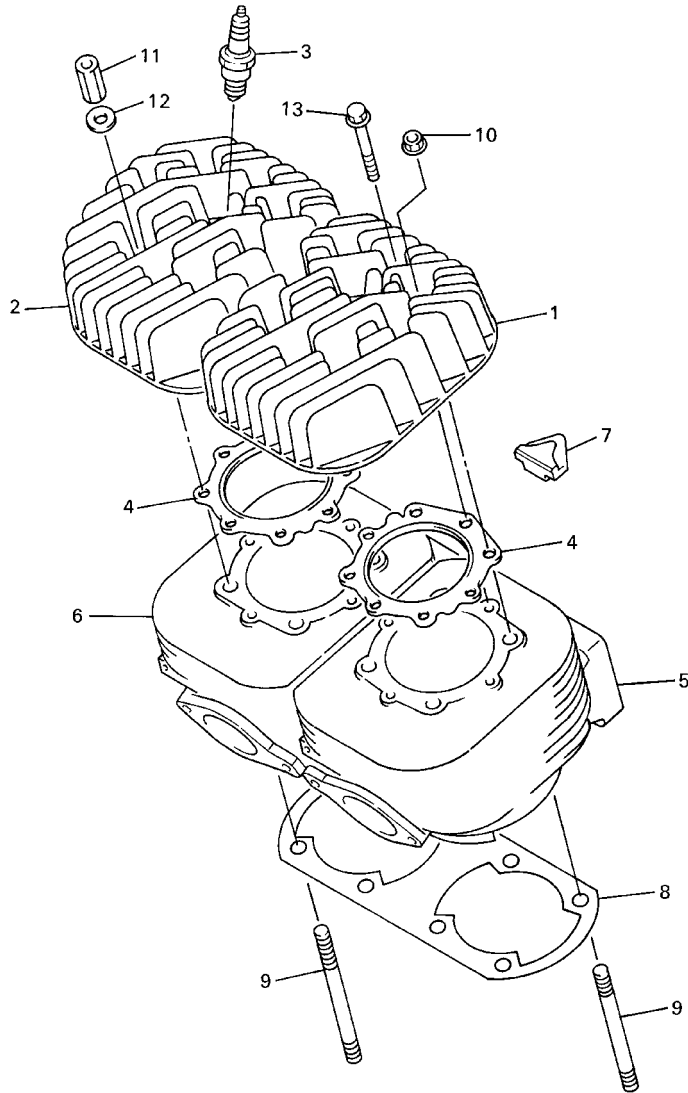
Frame Serial No.



Color Code	MODEL	Color Name	Abbreviation	Country (destination)
0677	8DX5	VERY DARK BLUE METALLIC 9	VDBM9	EUR

7. Note that the illustration for reference in funding parts numbers, not to be used for assembling. When assembling, please use the applicable service manual.

8. The asterisk (*) before a reference number indicates modification items after the first edition.

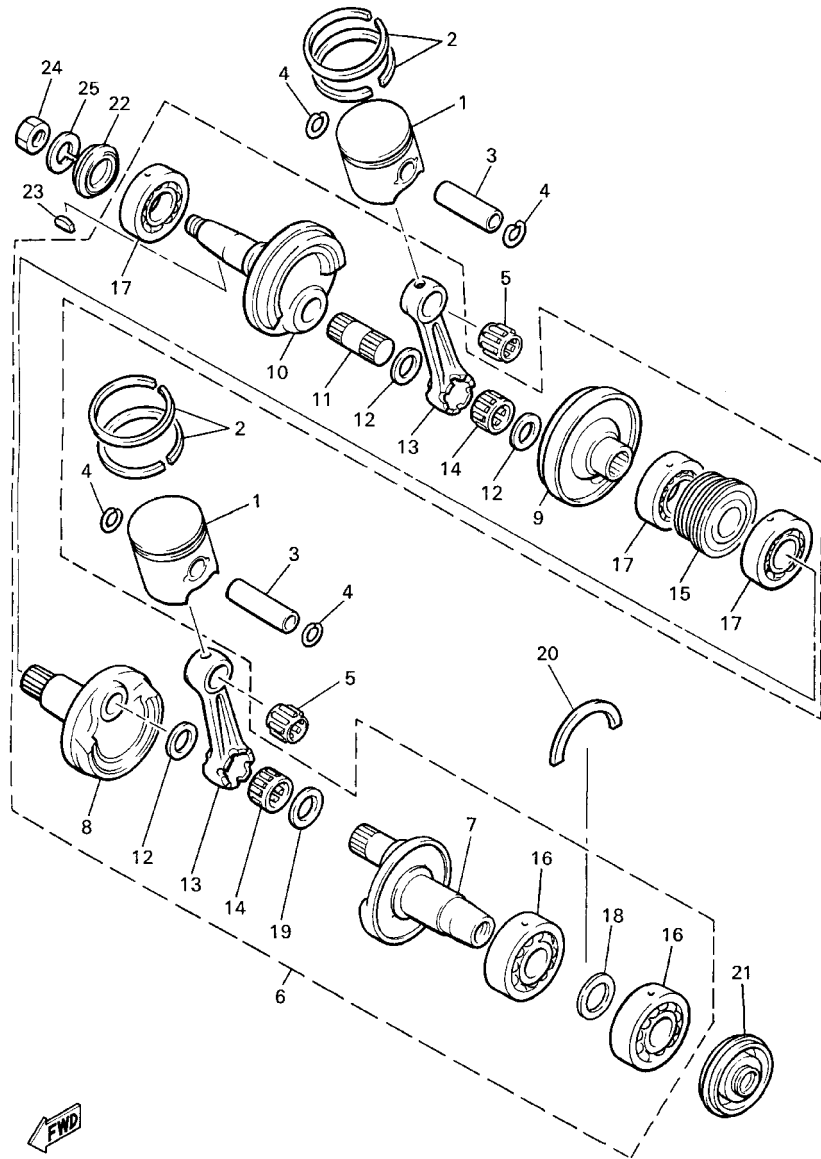


8DJ100-9010

FIG. 1 CYLINDER HEAD

REF. NO.	PART NO.	DESCRIPTION	EUR				REMARKS
1	8DJ-11111-00	HEAD, CYLINDER 1	1				
2	8DJ-11121-00	HEAD, CYLINDER 2	1				
3	94702-00188	PLUG, SPARK (NGK BR9ES)	2				
4	8DJ-11181-00	GASKET, CYLINDER HEAD 1	2				
5	8DJ-11311-00	CYLINDER 1	1				
6	8DJ-11321-00	CYLINDER 2	1				
7	8V0-11355-00	SEAL, CYLINDER 1	1				
8	88F-11351-01	GASKET, CYLINDER	1				
9	95617-08740	BOLT, STUD	8				
10	95707-08500	NUT, FLANGE	6				
11	90179-08269	NUT	2				
12	90201-08100	WASHER, PLATE	2				
13	95817-06035	BOLT, FLANGE	8				

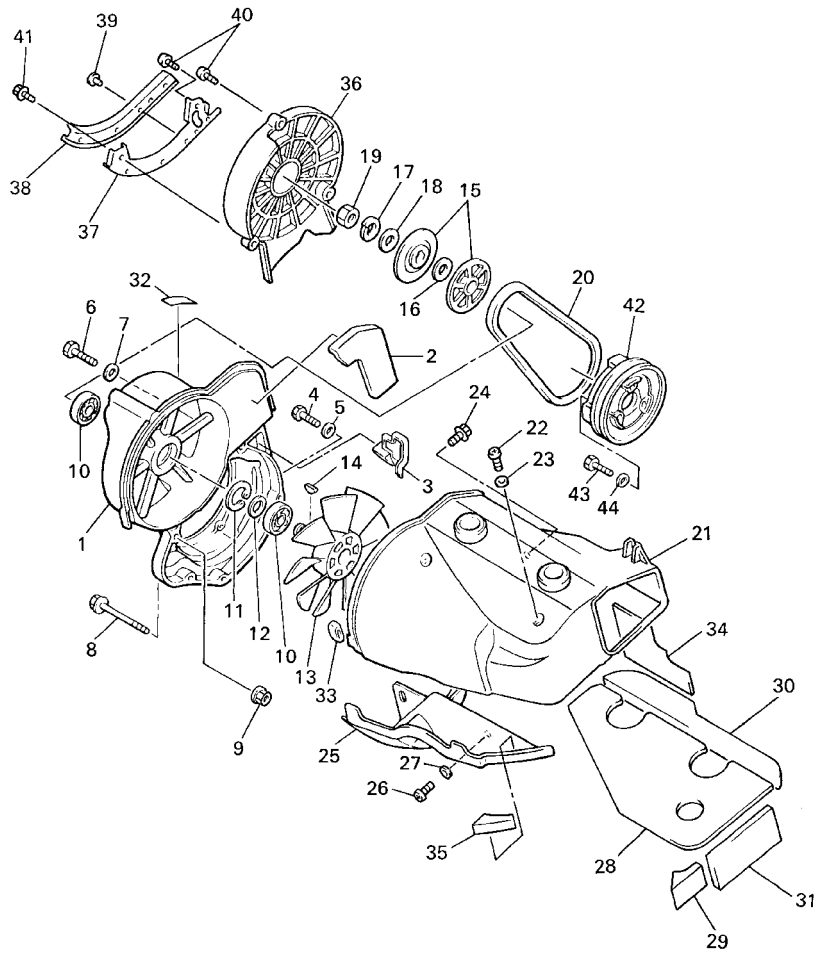
FIG. 2 CRANKSHAFT. PISTON



8DJ100-9020

REF. NO.	PART NO.	DESCRIPTION	EUR				REMARKS
1	8DJ-11631-00-A0	PISTON (STD)	2				
	8DJ-11635-00	PISTON (0.25MM O/S)	2				
	8DJ-11636-00	PISTON (0.50MM O/S)	2				
2	8DJ-11603-00	PISTON RING SET (STD)	2				
	8DJ-11603-10	PISTON RING SET (0.25MM O/S)	2				
	8DJ-11603-20	PISTON RING SET (0.50MM O/S)	2				
3	818-11633-00	PIN, PISTON	2				
4	93450-19052	CIRCLIP	4				
5	93310-218A6	BEARING	2				
6	8DJ-11400-00	CRANKSHAFT ASSY	1				
7	89F-11412-01	.CRANK 1	1				
8	8DJ-11422-00	.CRANK 2	1				
9	8DJ-11432-00	.CRANK 3	1				
10	8V0-11442-00	.CRANK 4	1				
11	857-11681-00	.PIN, CRANK 1	1				
12	90209-24073	.WASHER	3				
13	8V0-11651-00	.ROD, CONNECTING	2				
14	93310-524P8	.BEARING	2				
15	8DJ-11515-00	.SEAL, LABYRINTH 1	1				
16	93306-38201	.BEARING	2				
17	93306-28203	.BEARING	3				
18	90201-327F7	.WASHER, PLATE	1				
19	8A7-11685-00	.WASHER, CRANK PIN	1				
20	93450-78091	CIRCLIP	1				
21	93103-32151	OIL SEAL	1				
22	93103-32155	OIL SEAL	1				
23	90280-05014	KEY, WOODRUFF	1				

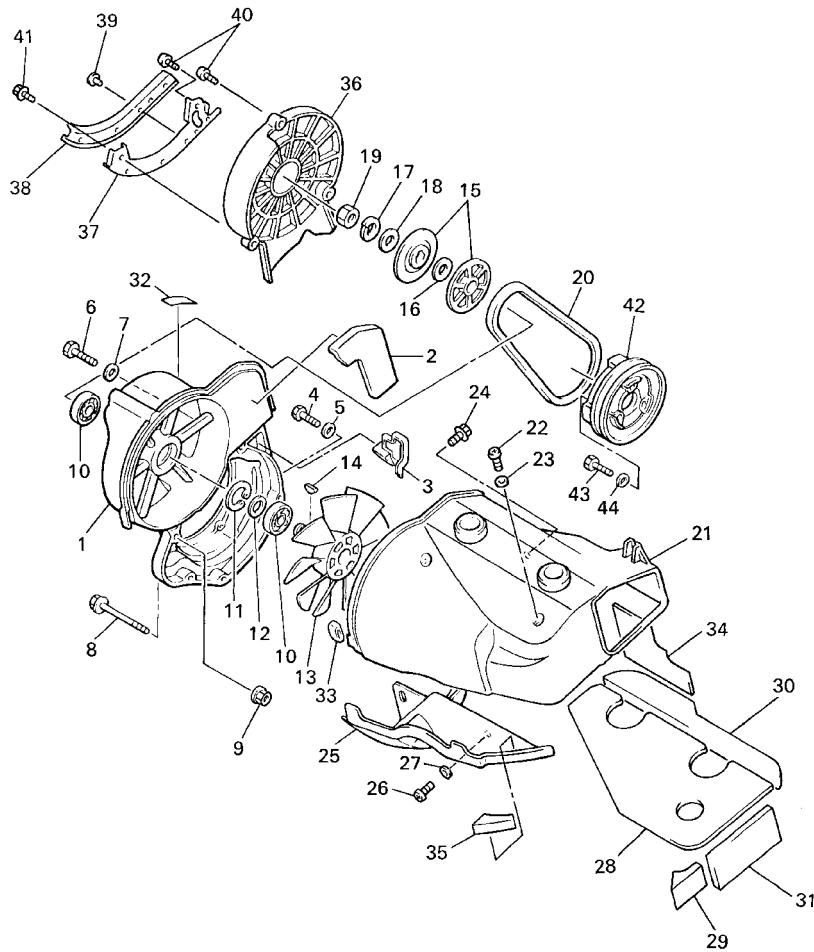
FIG. 3 AIR SHROUD. FAN



FWD
8DJ100-9030

REF. NO.	PART NO.	DESCRIPTION	EUR				REMARKS
1	88F-12621-02	CASE, FAN	1				
2	8Y0-12679-00	DAMPER, SHROUD 6	1				
3	80L-12658-01	DAMPER, AIR SHROUD 1	1				
4	97027-08040	BOLT	2				
5	92907-08600	WASHER, PLATE	2				
6	97027-08055	BOLT	1				
7	92907-08600	WASHER, PLATE	1				
8	95817-08065	BOLT, FLANGE	2				
9	95707-08500	NUT, FLANGE	2				
10	93306-20315	BEARING (B6203)	2				
11	99009-40500	CIRCLIP	1				
12	90201-17713	WASHER, PLATE	1				
13	8H8-12611-01	FAN	1				
14	90280-05014	KEY, WOODRUFF	1				
15	8H8-12619-01	PULLEY 2	2				
16	90214-17018	WASHER, CLAW (1.0T)	1				UR UN
	90214-17017	WASHER, CLAW (0.5T)	1				UR UN
17	92907-16100	WASHER	1				
18	90201-17713	WASHER, PLATE	1				
19	90170-16425	NUT	1				
20	8DJ-12612-00	BELT	1				
21	8DJ-12651-00	AIR SHROUD, CYLINDER 1	1				
22	98507-06014	SCREW	2				
23	92907-06600	WASHER, PLATE	2				
24	95807-06014	BOLT, FLANGE	1				
25	8V0-12652-00	AIR SHROUD, CYLINDER 2	1				
26	98507-06014	SCREW	2				

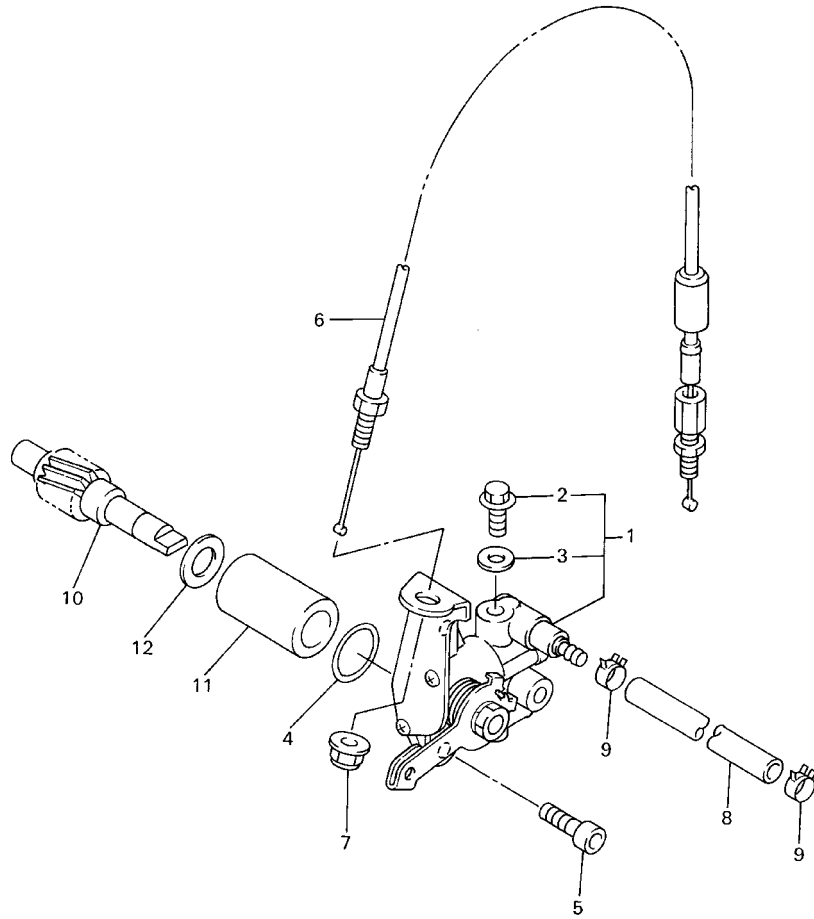
FIG. 3 AIR SHROUD. FAN



8DJ100-9030

REF. NO.	PART NO.	DESCRIPTION	EUR				REMARKS
27	92907-06600	WASHER, PLATE	2				
28	8DJ-12658-00	DAMPER, AIR SHROUD 1	1				
29	8DJ-12678-00	DAMPER, AIR SHROUD 5	1				
30	8DJ-12668-00	DAMPER, AIR SHROUD 3	1				
31	8DJ-12669-00	DAMPER, AIR SHROUD 4	1				
32	8K4-12628-00	LABEL, CAUTION	1				
33	8H8-12658-00	DAMPER, AIR SHROUD 1	2				
34	8DJ-12688-00	DAMPER, SHROUD 7	1				
35	8DJ-12679-00	DAMPER, SHROUD 6	1				
36	8L0-12616-00	COVER, FAN CASE	1				
37	8Y0-12637-02	STAY 1	1				
38	8Y0-12687-02	DAMPER, DUCT 4	1				
39	90269-05051	RIVET	5				
40	98907-06025	SCREW, BIND	2				
41	95807-06025	BOLT, FLANGE	1				
42	8V0-15723-00	PULLEY, STARTER	1				
43	97027-08025	BOLT	3				
44	92907-08600	WASHER, PLATE	3				

FIG. 4 OIL PUMP

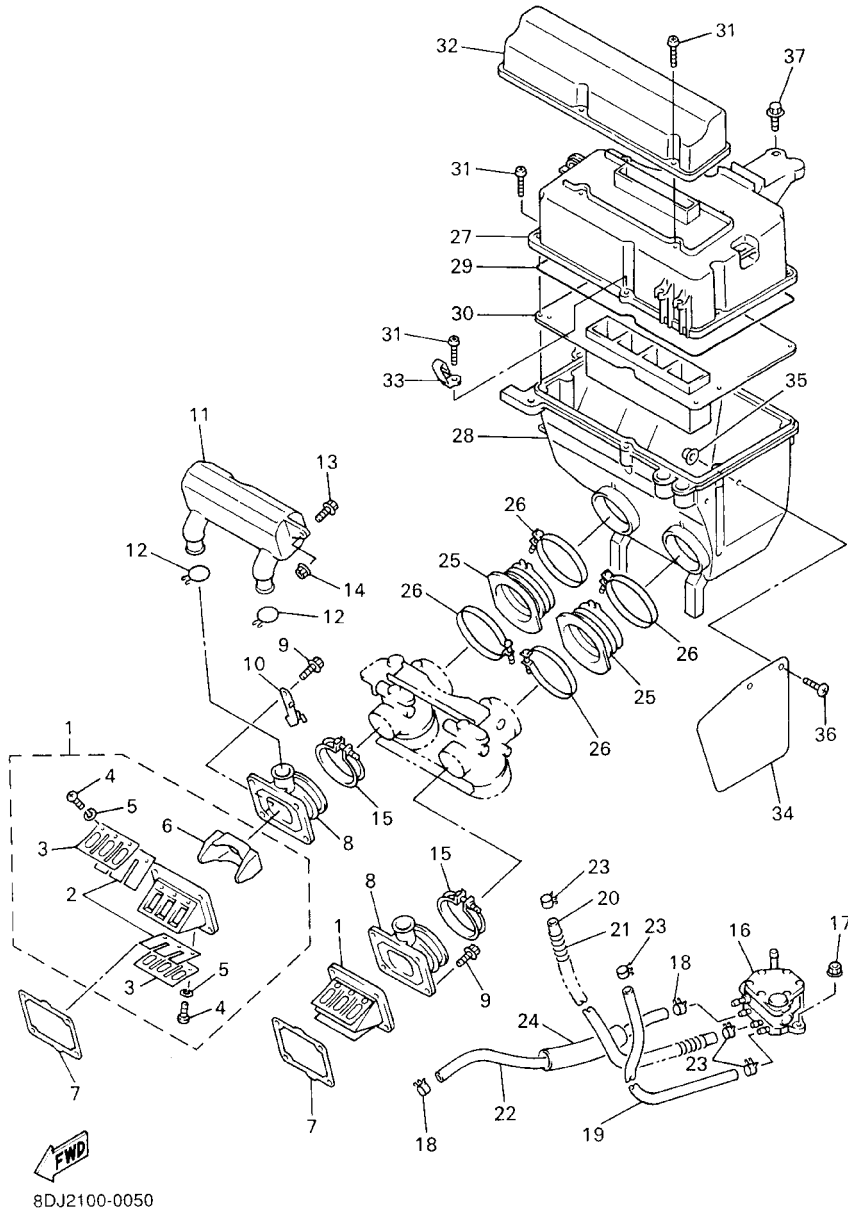


REF. NO.	PART NO.	DESCRIPTION	EUR				REMARKS
1	8DJ-13100-00	OIL PUMP ASSY	1				
2	89A-13185-00	.BOLT, BREATHER	1				
3	89A-13187-00	.GASKET, BREATHER BOLT	1				
4	93210-191A1	O-RING	1				
5	90110-05227	BOLT, HEXAGON SOCKET HEAD	2				
6	8DJ-26320-01	PUMP CABLE ASSY	1				
7	95707-08300	NUT, FLANGE	1				
8	91A30-03030	TUBE, FLEXIBLE VINYL	1				
9	90468-02025	CLIP	2				
10	8DJ-13124-00	GEAR, WORM WHEEL	1				
11	8DJ-13176-00	METAL, WORM SHAFT OUTER	1				
12	90201-105E8	WASHER, PLATE	1				



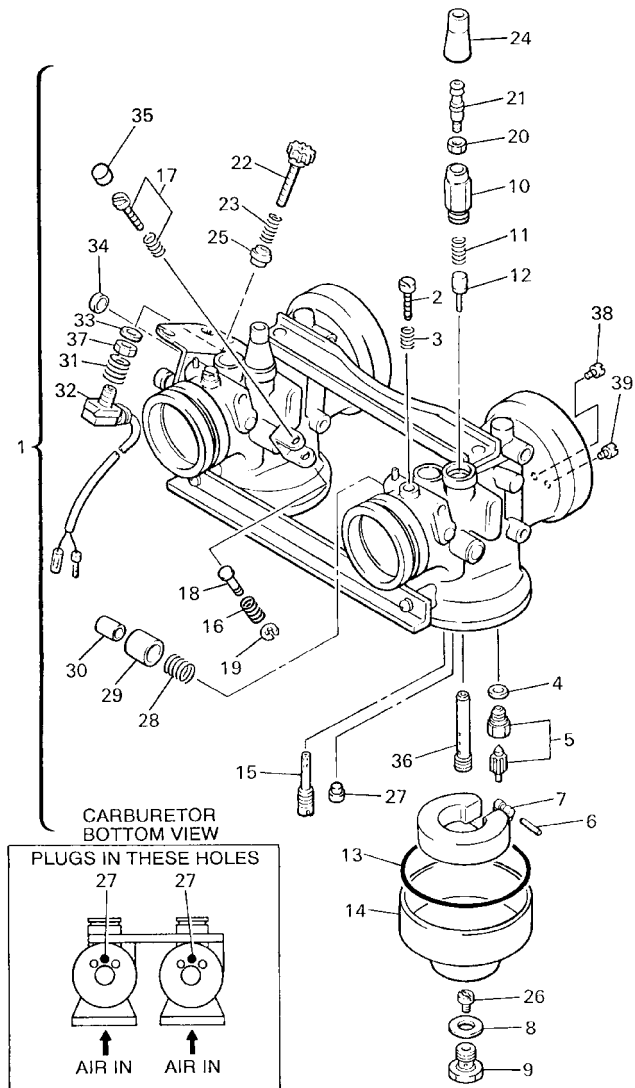
8DJ100-9040

FIG. 5 INTAKE



REF. NO.	PART NO.	DESCRIPTION	EUR				REMARKS
1	8DJ-13610-00	REED VALVE ASSY	2				
2	3SP-13613-00	.REED, VALVE	2				
3	8DJ-13616-00	.STOPPER, REED VALVE	2				
4	98507-03008	.SCREW	6				
5	92907-03100	.WASHER, SPRING	6				
6	4DA-13625-00	.SPACER, REED VALVE	1				
7	80L-13621-01	GASKET, VALVE SEAT	2				
8	8DJ-13555-00	MANIFOLD, INTAKE	2				
9	95817-06020	BOLT, FLANGE	8				
10	90462-10243	CLAMP	1				
11	8DJ-13581-00	CHAMBER, AIR	1				
12	90467-24096	CLIP	2				
13	90119-05001	BOLT, WITH WASHER	1				
14	95707-05300	NUT, FLANGE	1				
15	86M-13575-00	BAND	2				
16	8CR-24410-01	FUEL PUMP ASSY	1				
17	95707-06500	NUT, FLANGE	2				
18	90467-11032	CLIP	2				
19	90445-095K1	HOSE (L190)	1				
20	90445-096K0	HOSE (L310)	1				
21	90501-08668	SPRING, COMPRESSION	1				
22	90445-116K1	HOSE (L300)	1				
23	90467-09026	CLIP	4				
24	90445-226J7	HOSE (L150)	1				
25	8DJ-14453-00	JOINT, AIR CLEANER 1	2				
26	90460-68230	CLAMP, HOSE	4				
27	8DJ-14431-00	SILENCER, INTAKE 1	1				

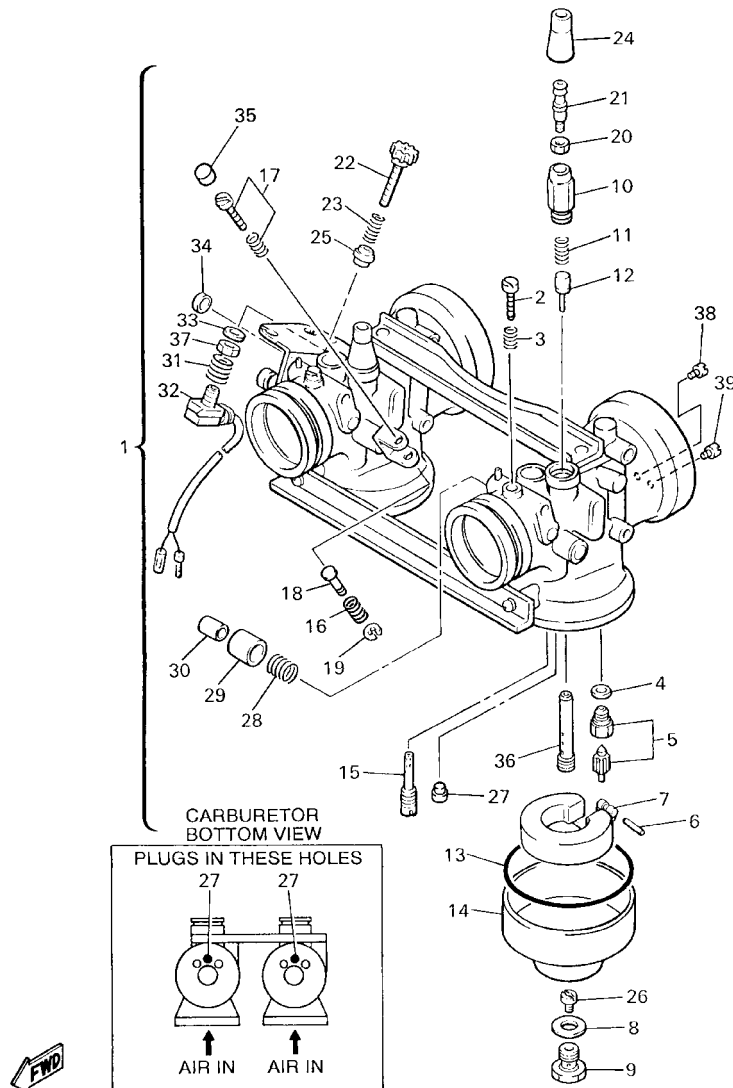
FIG. 6 CARBURETOR



8DJ100-9060

REF. NO.	PART NO.	DESCRIPTION	EUR				REMARKS
1	8DJ-14100-00	CARBURETOR ASSY	1				
2	620-14211-00	.SCREW, PILOT ADJUSTING	2				
3	8V0-14212-00	.SPRING, PILOT ADJUSTING	2				
4	214-14195-00	.WASHER, NEEDLE VALVE	2				
5	8DJ-14190-15	.NEEDLE VALVE ASSY	2				
6	8M6-14186-00	.PIN, FLOAT	2				
7	8M6-14185-00	.FLOAT	2				
8	286-14198-00	.GASKET	2				
9	8M6-14261-00	.HOLDER	2				
10	8G8-14174-00	.CAP, PLUNGER	2				
11	127-14135-00	.SPRING, PLUNGER	2				
12	8G8-14171-00	.PLUNGER, STARTER	2				
13	8M6-14126-00	.GASKET	2				
14	8M6-14181-00	.BODY, FLOAT CHAMBER 1	2				
15	193-14142-70	.JET, PILOT (# 70)	2				STD
	193-14142-75	.JET, PILOT (# 75)	2				AP
	193-14142-80	.JET, PILOT (# 80)	2				AP
16	3F7-14133-00	.SPRING, THROTTLE STOP	1				
17	3F7-14922-00	.SCREW, THROTTLE	1				
18	584-14992-00	.ROD	1				
19	256-14937-00	.CLIP	1				
20	802-14161-00	.NUT, CABLE ADJUSTING	2				
21	127-14124-00	.SCREW, CABLE ADJUSTING	2				
22	80L-14122-00	.SCREW, THROTTLE	1				
23	8X0-14500-00	.SPRING	1				
24	8A7-14169-00	.CAP	2				
25	8X0-14184-00	.RING	1				

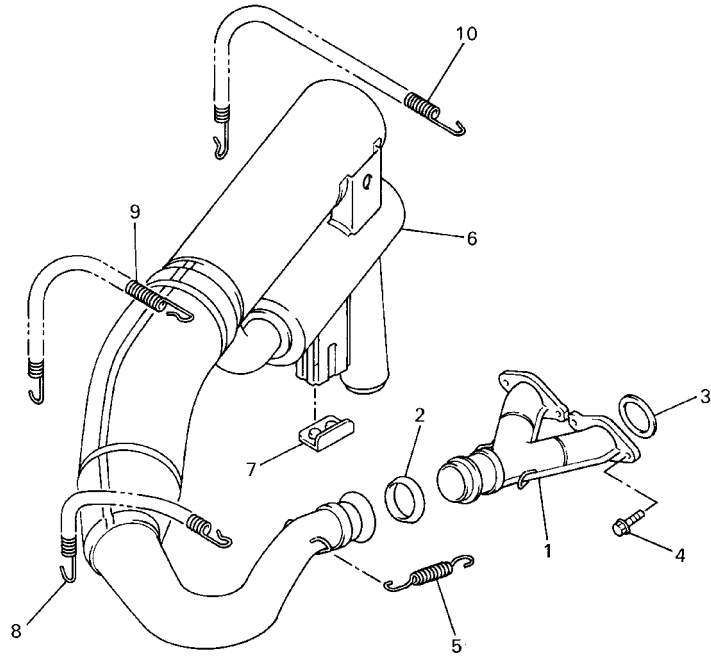
FIG. 6 CARBURETOR



8DJ100-9060

REF. NO.	PART NO.	DESCRIPTION	EUR				REMARKS
26	3G2-1423E-57	.JET, MAIN (#143.8)	1				STD #1
	3G2-1423A-79	.JET, MAIN (#142.5)	1				STD #2
	3G2-14231-25	.JET, MAIN (#125)	2				AP
	3G2-14231-26	.JET, MAIN (#130)	2				AP
	3G2-14231-27	.JET, MAIN (#135)	2				AP
	3G2-14231-29	.JET, MAIN (#145)	2				AP
	3G2-1423A-75	.JET, MAIN (#122.5)	2				AP
	3G2-1423A-77	.JET, MAIN (#132.5)	2				AP
	3G2-1423A-78	.JET, MAIN (#137.5)	2				AP
	3G2-1423E-48	.JET, MAIN (#121.3)	2				AP
	3G2-1423E-50	.JET, MAIN (#126.3)	2				AP
	3G2-1423E-51	.JET, MAIN (#128.8)	2				AP
	3G2-1423E-52	.JET, MAIN (#131.3)	2				AP
	3G2-1423E-53	.JET, MAIN (#133.8)	2				AP
	3G2-1423E-54	.JET, MAIN (#136.3)	2				AP
	3G2-1423E-55	.JET, MAIN (#138.8)	2				AP
	3G2-1423E-56	.JET, MAIN (#141.3)	2				AP
	3G2-1423E-59	.JET, MAIN (#148.8)	2				AP
27	8V0-14118-00	.CAP	2				
28	80L-14932-00	.SPRING, THROTTLE 2	1				
29	80L-14534-00	.COLLAR	2				
30	80L-14535-00	.COLLAR	4				
31	8X0-14133-00	.SPRING, THROTTLE STOP	1				
32	87S-8259A-00	.SWITCH, CARBURETOR	1				
33	22F-14117-00	.WASHER, PLUG SCREW	1				
34	80L-14264-00	.COLLAR	1				
35	620-14225-00	.CAP	1				

FIG. 7 EXHAUST

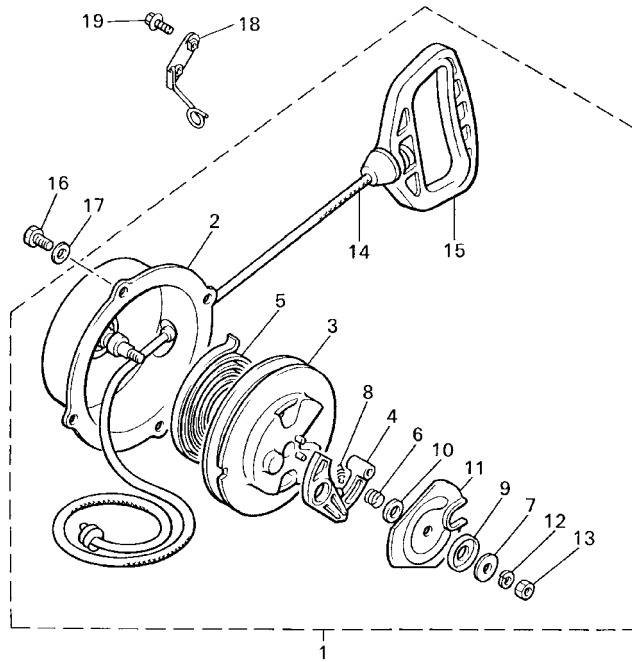


REF. NO.	PART NO.	DESCRIPTION	EUR				REMARKS
1	8DJ-14610-00	EXHAUST PIPE ASSY 1	1				
2	8AB-14714-01	GASKET, MUFFLER	1				
3	8DJ-14613-00	GASKET, EXHAUST PIPE	2				
4	95817-08020	BOLT, FLANGE	4				
5	90506-20272	SPRING, TENSION	2				
6	8DJ-14710-00	MUFFLER ASSY 1	1				
7	83R-14728-01	PROTECTOR, MUFFLER 2	1				
8	90506-16518	SPRING, TENSION	1				
9	90506-16497	SPRING, TENSION	1				
10	90506-18519	SPRING, TENSION	1				



8DJ100-9070

FIG. 9 STARTER

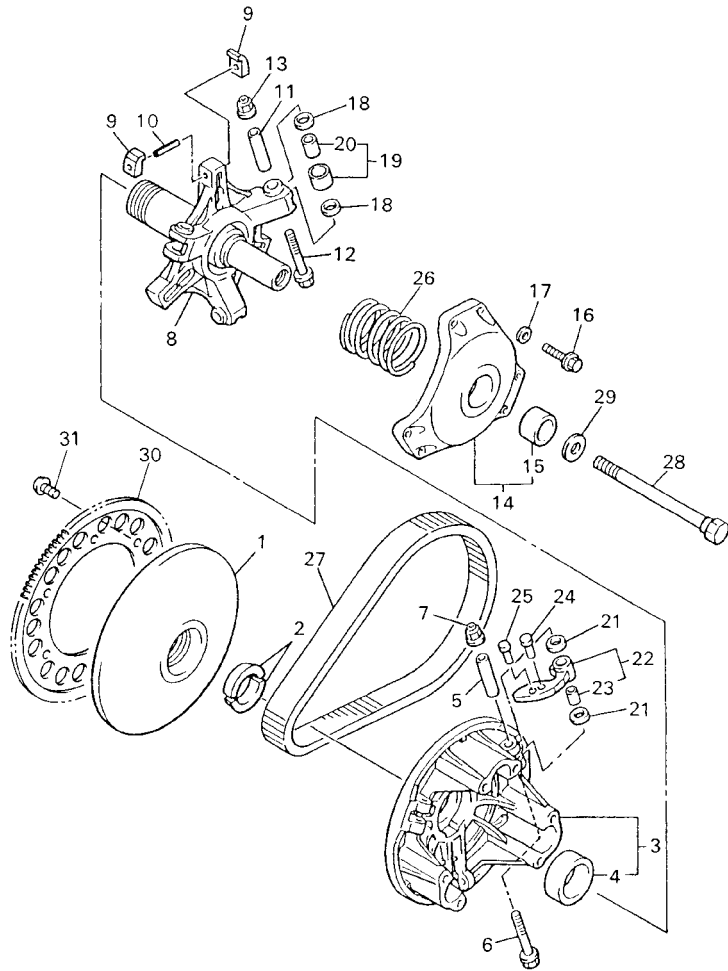


REF. NO.	PART NO.	DESCRIPTION	EUR				REMARKS
1	8V0-15710-00	STARTER ASSY	1				
2	8V0-15711-00	.CASE, STARTER	1				
3	8F3-15714-01	.DRUM, SHEAVE	1				
4	8F3-15741-01	.PAWL, DRIVE	1				
5	8F3-15713-01	.SPRING, STARTER	1				
6	8F3-15715-00	.SPRING, FRICTION	1				
7	8F3-15739-01	.WASHER, THRUST	1				
8	8F3-15734-00	.SPRING, RETURN	1				
9	8G5-15739-00	.WASHER, THRUST	1				
10	8G5-15716-00	.COLLAR	1				
11	8F3-15716-03	.PLATE, DRIVE	1				
12	92901-06100	.WASHER, SPRING	1				
13	95301-06700	.NUT	1				
14	8F3-15751-00	.WIRE, STARTER	1				
15	8F3-15755-00	.HANDLE, STARTER	1				
16	97007-06014	BOLT	4				
17	92907-06600	WASHER, PLATE	4				
18	8CR-15758-00	GUIDE, ROPE	1				
19	95807-06012	BOLT, FLANGE	2				



8DJ100-9090

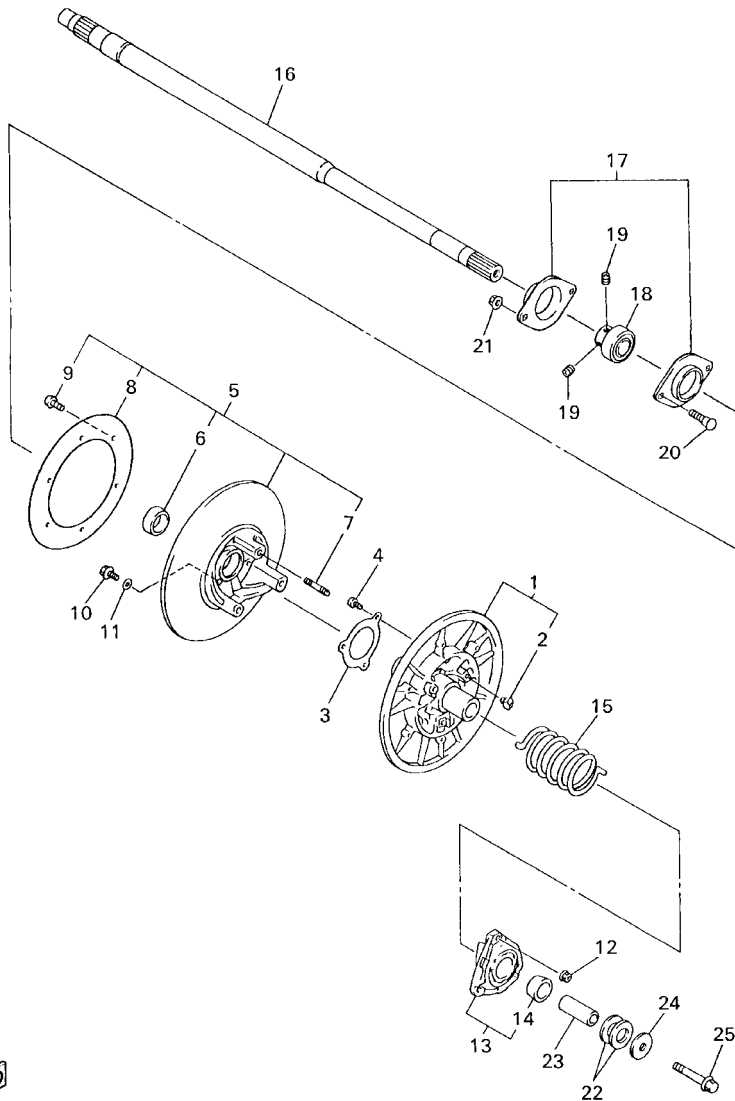
FIG. 10 PRIMARY SHEAVE



8DX2100-0100

REF. NO.	PART NO.	DESCRIPTION	EUR				REMARKS
1	8CR-17611-01	SHEAVE, PRIMARY FIXED	1				
2	8V0-17639-00	STOPPER	2				
3	8BV-17620-03	PRIMARY SLIDING SHEAVE COMP.	1				
4	90384-41242	.BUSH, BIMETAL FORMED	1				
5	90387-0514T	COLLAR	3				
6	90105-05644	BOLT, FLANGE	3				
7	95607-05200	NUT, U FLANGE	3				
8	8CA-17640-12	SPIDER COMPLETE	1				
9	8BW-17653-00	SLIDER	6				
10	91609-50032	PIN, SPRING	3				
11	90387-0514U	COLLAR	3				
12	90105-05644	BOLT, FLANGE	3				
13	95607-05200	NUT, U FLANGE	3				
14	8BV-17630-10	PRIMARY SHEAVE CAP COMP.	1				
15	90380-28237	.BUSH, SOLID	1				
16	97017-06030	BOLT	6				
17	92907-06600	WASHER, PLATE	6				
18	90202-09227	WASHER, PLATE	6				
19	8CR-17624-20	ROLLER, COMP	3				
20	90380-09245	.BUSH, SOLID	1				
21	90202-08204	WASHER, PLATE	6				
22	8DJ-17605-00	WEIGHT COMP	3				
23	90380-08244	.BUSH, SOLID	1				
24	90261-06033	RIVET, COUNTERSUNK (ST17.2MM)	3				IN
25	90261-06033	RIVET, COUNTERSUNK (ST17.2MM)	3				OUT
26	90501-602J0	SPRING, COMPRESSION	1				(PINK)
27	89L-17641-01	V-BELT	1				

FIG. 11 SECONDARY SHEAVE

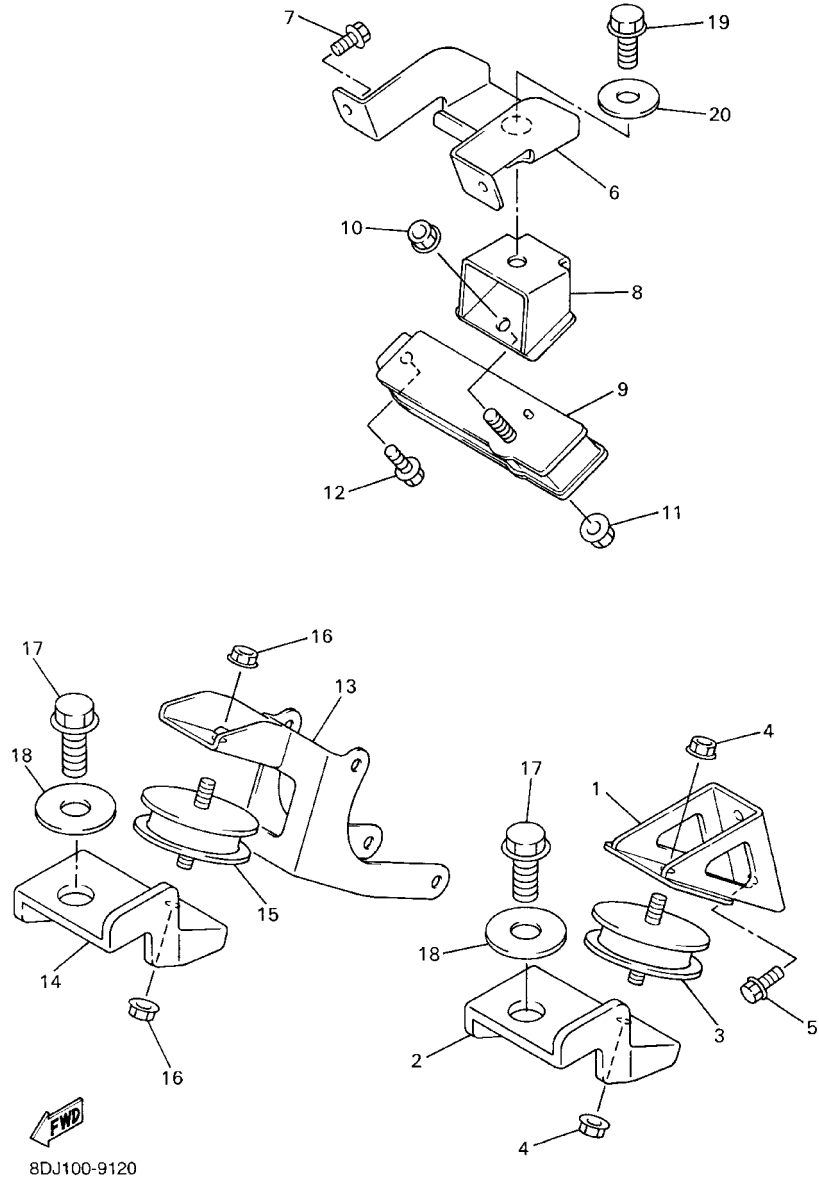


REF. NO.	PART NO.	DESCRIPTION	EUR				REMARKS
1	8CR-17660-20	SECONDARY FIXED SHEAVE COMP.	1				
2	8AV-17688-10	.SHOE, RAMP	3				
3	8BV-17656-00	STOPPER, HOLDER	1				
4	90154-06062	SCREW, BINDING	3				
5	8BU-17670-10	SECONDARY SLIDING SHEAVE	1				
6	90384-38243	.BUSH, BIMETAL FORMED	1				
7	95617-08630	.BOLT, STUD	3				
8	8CM-17675-00	.PLATE 2	1				
9	90150-05040	.SCREW, ROUND HEAD	6				
10	90105-06734	BOLT, FLANGE	3				
11	90201-06037	WASHER, PLATE (T=1.0)	3				UR UN
	90201-061H1	WASHER, PLATE (T=0.5)	3				UR UN
12	90179-08655	NUT	3				
13	8BV-17604-11	SEAT SPRING SET	1				
14	90384-38243	.BUSH, BIMETAL FORMED	1				
15	90508-536A9	SPRING, TORSION	1				
16	8CR-17681-10	SHAFT, SECONDARY	1				
17	8CR-47631-01	HOUSING, BEARING	1				
18	93399-99943	BEARING	1				
19	90113-06064	BOLT, SET	2				
20	90109-083G2	BOLT	2				
21	95707-08500	NUT, FLANGE	2				
22	90201-222F0	WASHER, PLATE (T=0.5)	1				UR UN
	90201-225A4	WASHER, PLATE (T=1.0)	2				UR UN
23	90387-1407L	COLLAR	1				
24	90201-141A3	WASHER, PLATE	1				
25	90105-14766	BOLT, FLANGE	1				



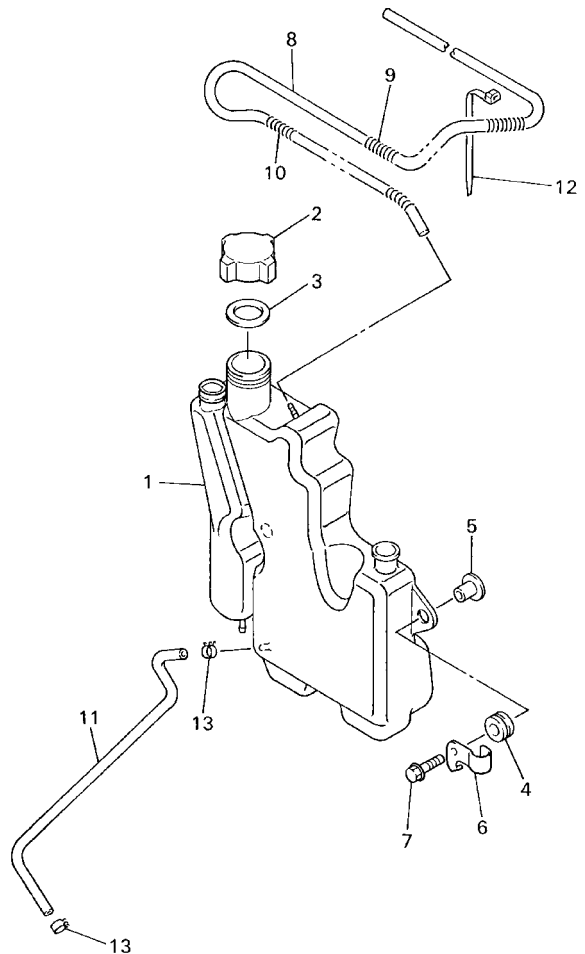
8DJ100-9110

FIG. 12 ENGINE BRACKET



REF. NO.	PART NO.	DESCRIPTION	EUR				REMARKS
1	8DJ-21415-00	BRACKET, FRONT UPPER 1	1				
2	8DJ-21417-00	BRACKET, FRONT LOWER 1	1				
3	8DJ-21486-00	DAMPER 2	1				
4	95707-10500	NUT, FLANGE	2				
5	95817-08020	BOLT, FLANGE	2				
6	8DJ-21425-00	BRACKET, REAR UPPER 1	1				
7	95817-08020	BOLT, FLANGE	2				
8	8DJ-21427-00	BRACKET, REAR LOWER 1	1				
9	8DJ-21488-00	DAMPER	1				
10	95707-10500	NUT, FLANGE	1				
11	95707-10500	NUT, FLANGE	1				
12	95817-06016	BOLT, FLANGE	1				
13	8DJ-21416-00	BRACKET, FRONT UPPER 2	1				
14	8DJ-21417-00	BRACKET, FRONT LOWER 1	1				
15	8DJ-21486-00	DAMPER 2	1				
16	95707-10500	NUT, FLANGE	2				
17	90105-127A5	BOLT, FLANGE	2				
18	90201-120U9	WASHER, PLATE	2				
19	95817-10025	BOLT, FLANGE	1				
20	90201-10321	WASHER, PLATE	1				

FIG. 13 OIL TANK



REF. NO.	PART NO.	DESCRIPTION	EUR				REMARKS
1	8DJ-21751-00	TANK, OIL	1				
2	863-21771-00	BODY, CAP	1				
3	90430-31003	GASKET	1				
4	90480-14101	GROMMET	2				
5	90387-063G3	COLLAR	2				
6	90462-08244	CLAMP	1				
7	95827-06025	BOLT, FLANGE	2				
8	91A30-05085	TUBE, FLEXIBLE VINYL	1				
9	90501-08430	SPRING, COMPRESSION	1				
10	90501-08486	SPRING, COMPRESSION	1				
11	91A30-05048	TUBE, FLEXIBLE VINYL	1				
12	90464-13073	CLAMP	1				
13	90467-09026	CLIP	2				

 8DJ100-9130

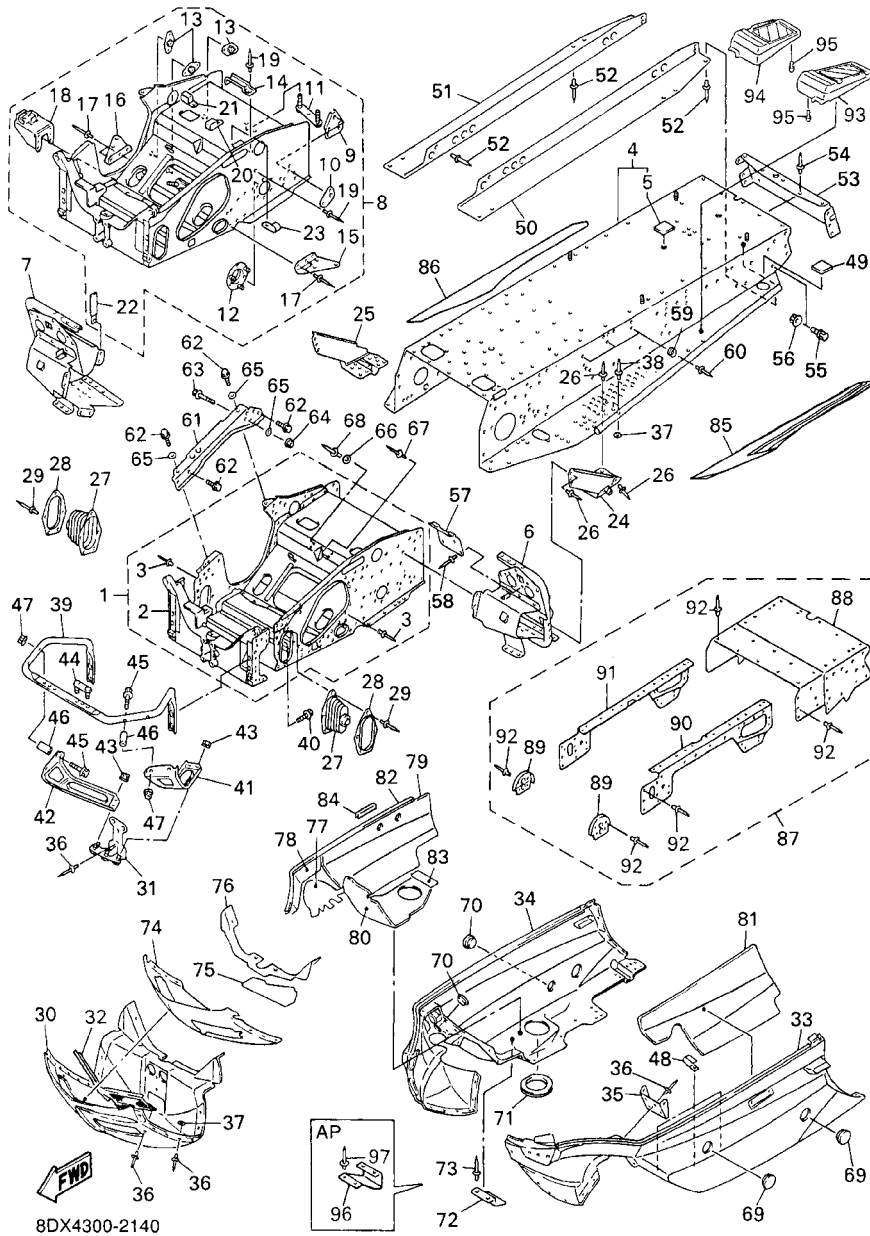


FIG. 14 FRAME

REF. NO.	PART NO.	DESCRIPTION	EUR				REMARKS
1	8DJ-21940-07	FRONT FRAME COMP.	1				
2	8CR-2191A-02	.BULKHEAD	1				
3	90267-48016	.RIVET, BLIND	70				UR UN
	90267-48015	.RIVET, BLIND	10				UR UN
4	8CR-21950-06	REAR FRAME COMP.	1				
5	8CR-2198J-00	.COVER 3	3				
6	8CR-21960-08	FOOTREST COMP. 1	1				
7	8CR-21970-08	FOOTREST COMP. 2	1				
8	8DJ-W2195-01	FRAME CONNECTION KIT	1				
9	8CR-21943-01	.BRACKET, MAIN TRACK 1	2				
10	8CR-21953-00	.BRACKET, MAIN TRACK 2	2				
11	8CR-2196F-00	.BRACKET 3	1				
12	8CR-21920-00	.HOUSING, REINF SUB-ASSY(L.H)	1				
13	8CR-21939-00	.BRACKET, CHAIN HOUSING	3				
14	8CR-21977-00	.CLAMP, FUEL PIPE	2				
15	8CR-21917-00	.PANEL, SUB FRAME 6	1				
16	8CR-21918-00	.PANEL, SUB-FRAME 7	1				
17	90267-48176	.RIVET, BLIND	4				
18	8CR-2194J-00	.STAY, MUFFLER	1				
19	90267-47186	.RIVET, BLIND	1				UR UN(QTY:150)
	90267-47197	.RIVET, BLIND	1				UR UN(QTY:10)
20	90461-05003	.CLAMP	2				
21	90461-06142	.CLAMP	1				
22	90462-05059	.CLAMP	1				
23	90465-08368	.CLAMP	3				
24	8DF-21941-00	PIPE, PIVOT 1	1				
25	8DF-21951-00	PIPE, PIVOT 2	1				

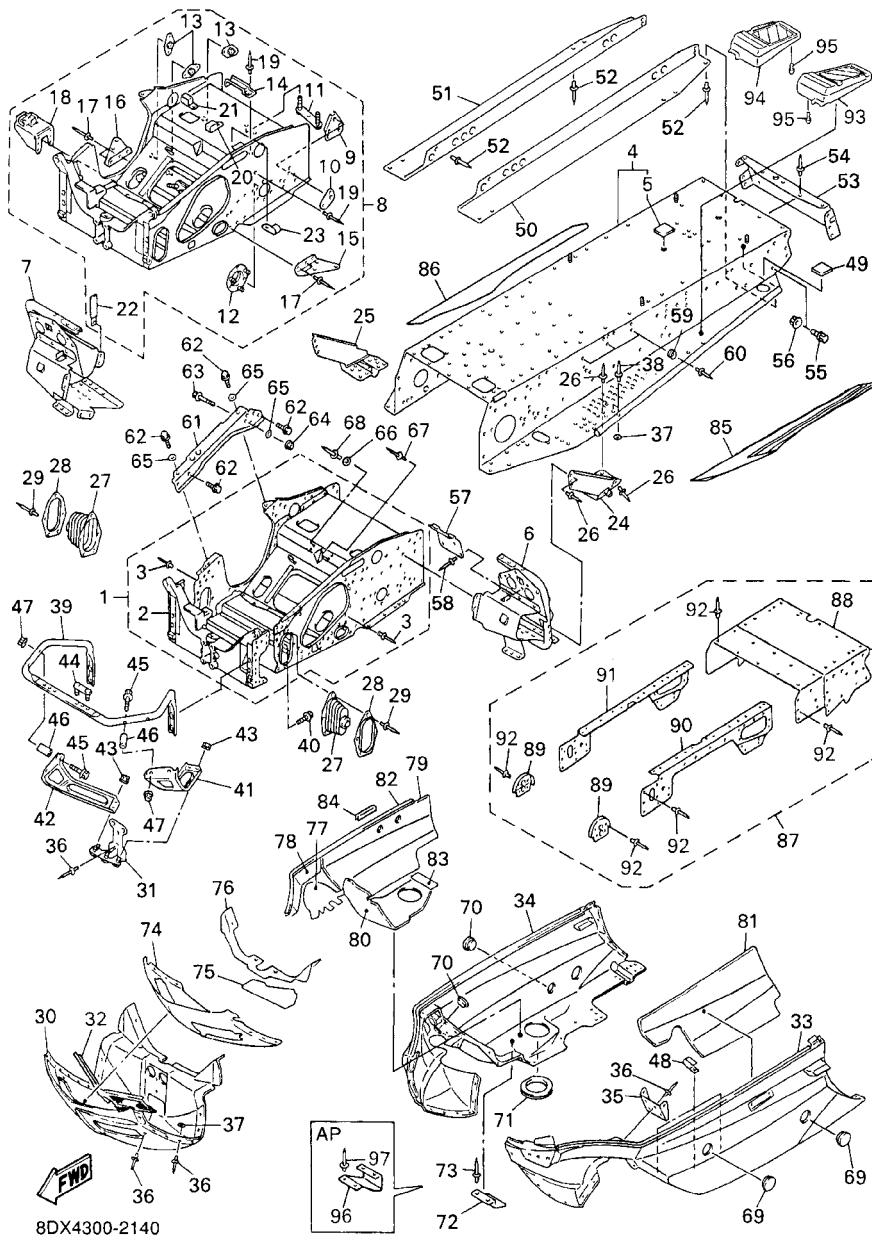


FIG. 14 FRAME

REF. NO.	PART NO.	DESCRIPTION	EUR				REMARKS
26	90269-07080	RIVET	16				
27	8CR-2198F-00	COVER 1	2				
28	8CR-2195E-00	PLATE, STRG BRACKET 1	2				
29	90267-47197	RIVET, BLIND	10				
30	8CR-21912-01	PANEL, SUB FRAME 1	1				
31	8CR-23788-11	PLATE, BACK UP	1				
32	8CR-77128-00	STAY 4	1				
33	8CR-2196A-03	FRAME UNDER 1	1				
34	8DJ-2196E-02	FRAME, UNDER 2	1				
35	8CR-21972-00	BRACKET, GUARD FITTING	1				
36	90267-48018	RIVET, BLIND	39				
37	90201-05033	WASHER, PLATE	17				
38	90267-47187	RIVET, BLIND	14				
39	8CR-77512-00	BUMPER, FRONT 2	1				
40	95807-08020	BOLT, FLANGE	4				
41	8CR-21949-10	BRACKET, FRONT	1				
42	8CR-21959-10	BRACKET, FRONT BUMPER	1				
43	95607-08200	NUT, SELF-LOCKING	4				
44	8CR-2196M-00	BRACKET, 5	2				
45	95807-08040	BOLT, FLANGE	4				
46	90387-0810F	COLLAR	4				
47	95707-08500	NUT, FLANGE	4				
48	90465-08146	CLAMP	3				
49	8CR-2198J-00	COVER 3	2				
50	8DX-21991-01	REINF., PANELL FRAME 1	1				
51	8DX-21992-01	REINF., PANELL FRAME 2	1				
52	90267-47186	RIVET, BLIND	52				

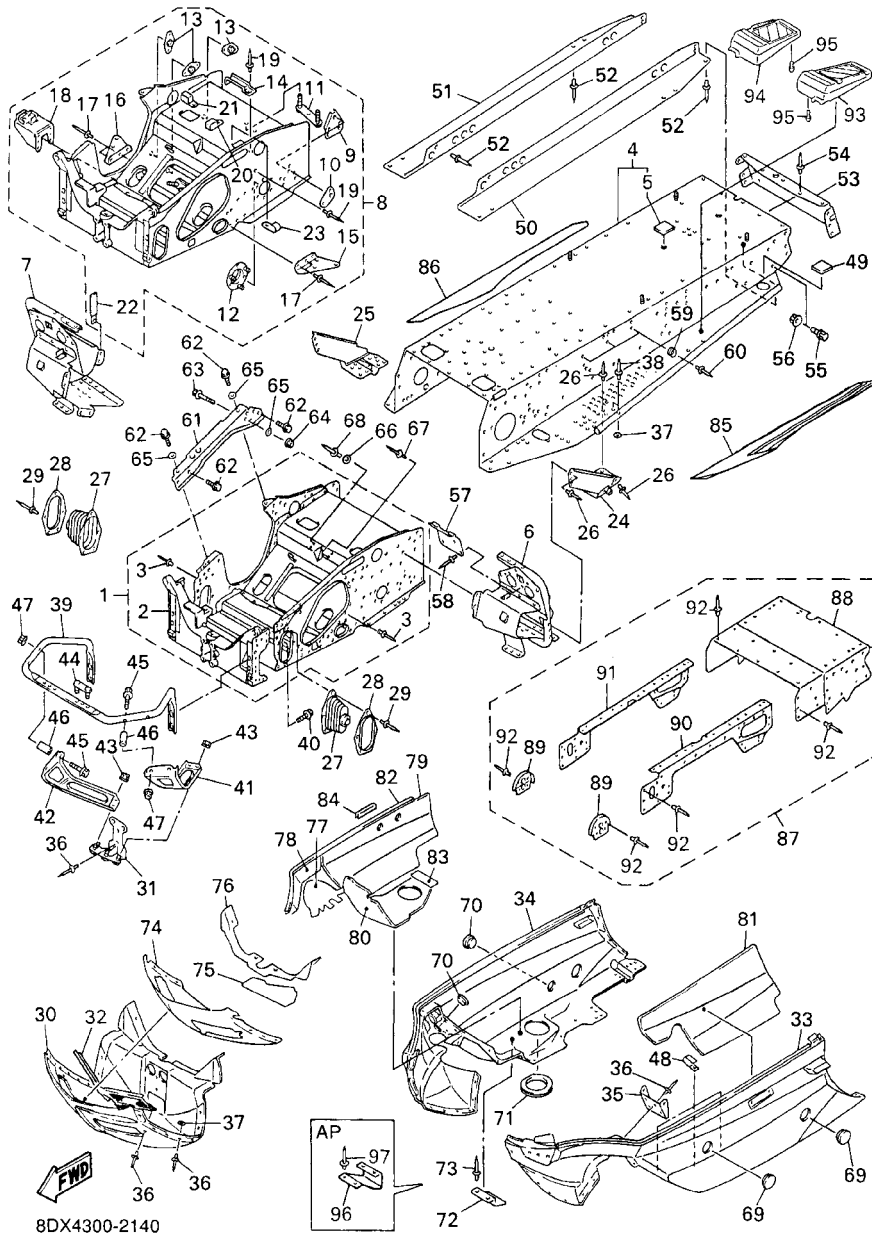


FIG. 14 FRAME

REF. NO.	PART NO.	DESCRIPTION	EUR				REMARKS
53	8CR-21923-02	REINFORCEMENT, FRAME REAR 1	1				
54	90267-47186	RIVET, BLIND	7				
55	95027-08016	BOLT, FLANGE	4				
56	95707-08500	NUT, FLANGE	4				
57	8CR-21973-00	HOOK	1				
58	90267-48169	RIVET, BLIND	3				
59	81K-2471F-00	BUTTON	6				
60	90267-40069	RIVET, BLIND	6				
61	8CR-21921-01	REINFORCEMENT, FRAME REAR 1	1				
62	90105-10617	BOLT, FLANGE	6				
63	95827-10065	BOLT, FLANGE	1				
64	95707-10500	NUT, FLANGE	2				
65	92907-10200	WASHER, PLAIN	3				
66	90201-05033	WASHER, PLATE	2				
67	90267-48016	RIVET, BLIND	5				
68	90267-47187	RIVET, BLIND	4				
69	90338-44093	PLUG	3				
70	90338-30256	PLUG	3				
71	8DF-21998-00	SPACER	1				
72	8DJ-2197C-00	PROTECTOR, FRAME 3	1				
73	90267-48018	RIVET, BLIND	2				
74	8DJ-77261-00	LINING, SHROUD 1	1				
75	8DJ-77262-00	LINING, SHROUD 2	1				
76	8CR-77263-00	LINING, SHROUD 3	1				
77	8CR-77265-00	LINING, SHROUD 5	1				
78	8CR-77266-00	LINING, SHROUD 6	1				
79	8CR-77267-01	LINING, SHROUD 7	1				

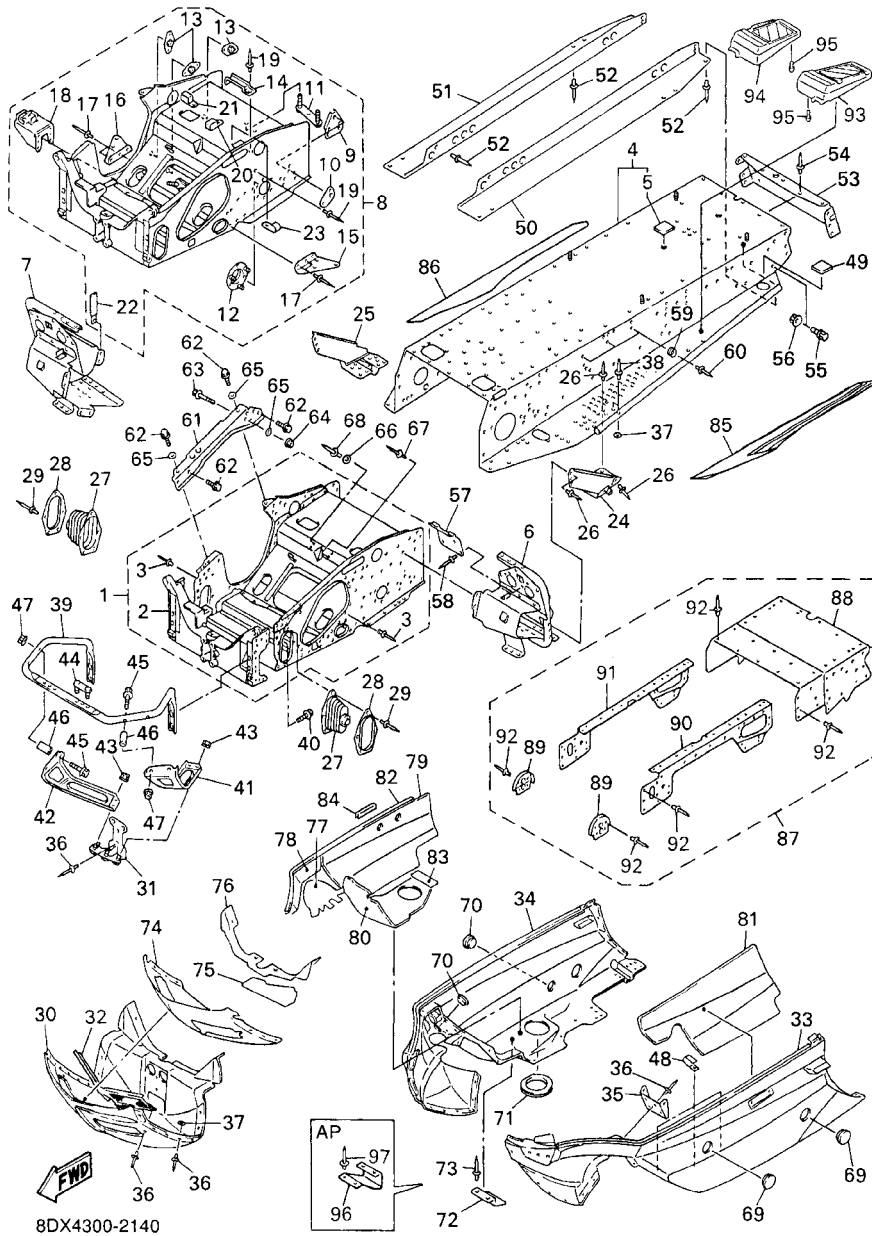


FIG. 14 FRAME

REF. NO.	PART NO.	DESCRIPTION	EUR				REMARKS
80	8CR-77269-00	LINING,SHROUD 9	1				
81	8CR-77271-00	DAMPER, NOISE 11	1				
82	8CR-7717J-00	TAPE,5	1				
83	8CR-77165-00	TRIM 1	1				
84	8DJ-7717J-00	TAPE,5	1				
85	8CY-77351-00	EMBLEM 1	1				
86	8CY-77352-00	EMBLEM 2	1				
87	8CW-W2196-02	PANEL, SUB-FRAME KIT	1				
88	8CW-21916-02	.PANEL, SUB FRAME 5	1				
89	8CW-21943-00	.BRACKET, MAIN TRACK 1	2				
90	8CW-21964-02	.PATCH 4	1				
91	8CW-21965-02	.PATCH 5	1				
92	90267-47186	.RIVET, BLIND	70				UN
93	8DM-27431-00	FOOTREST, REAR 1	1				
94	8DM-27441-00	FOOTREST, REAR 2	1				
95	97707-50020	SCREW, TAPPING	8				
96	8CS-2197C-00	PROTECTOR, FRAME 3	1				AP
97	90267-48018	RIVET, BLIND	4				AP

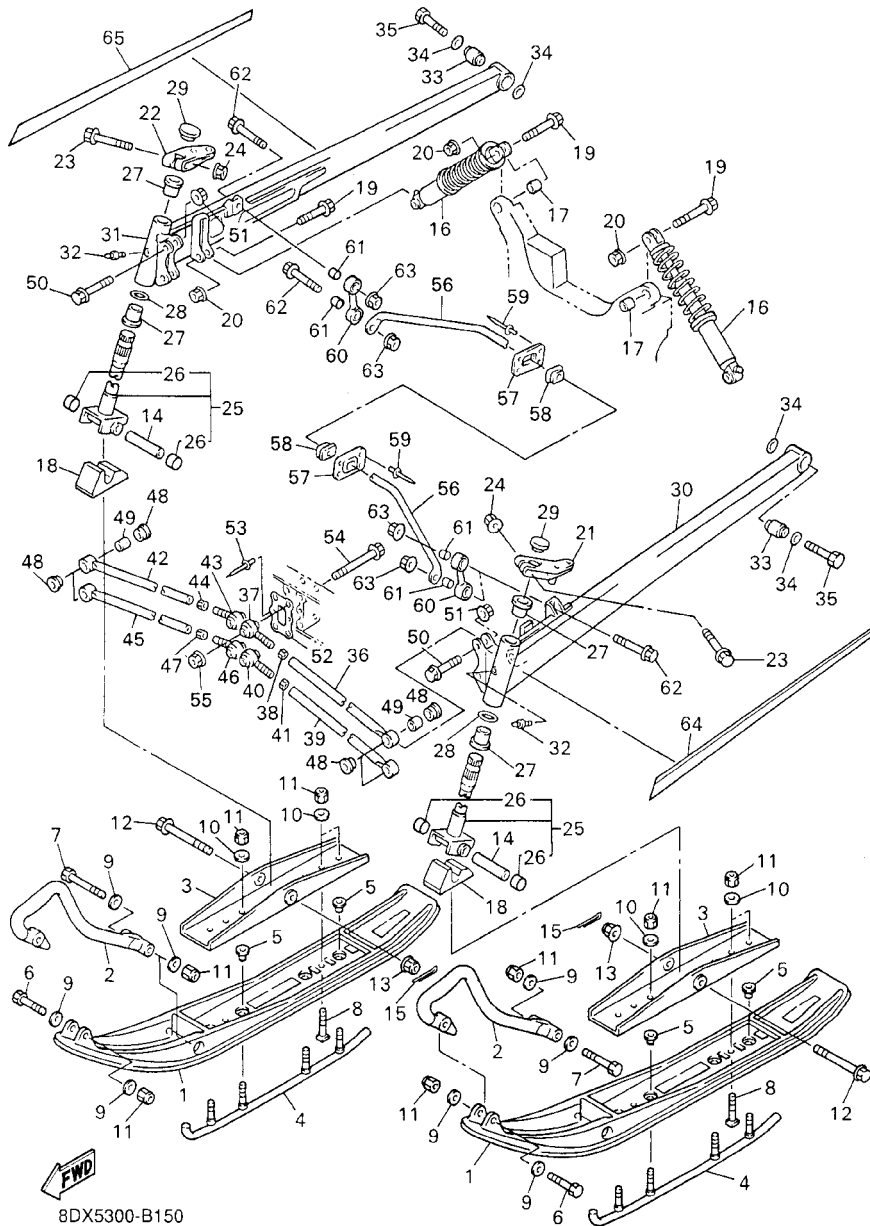
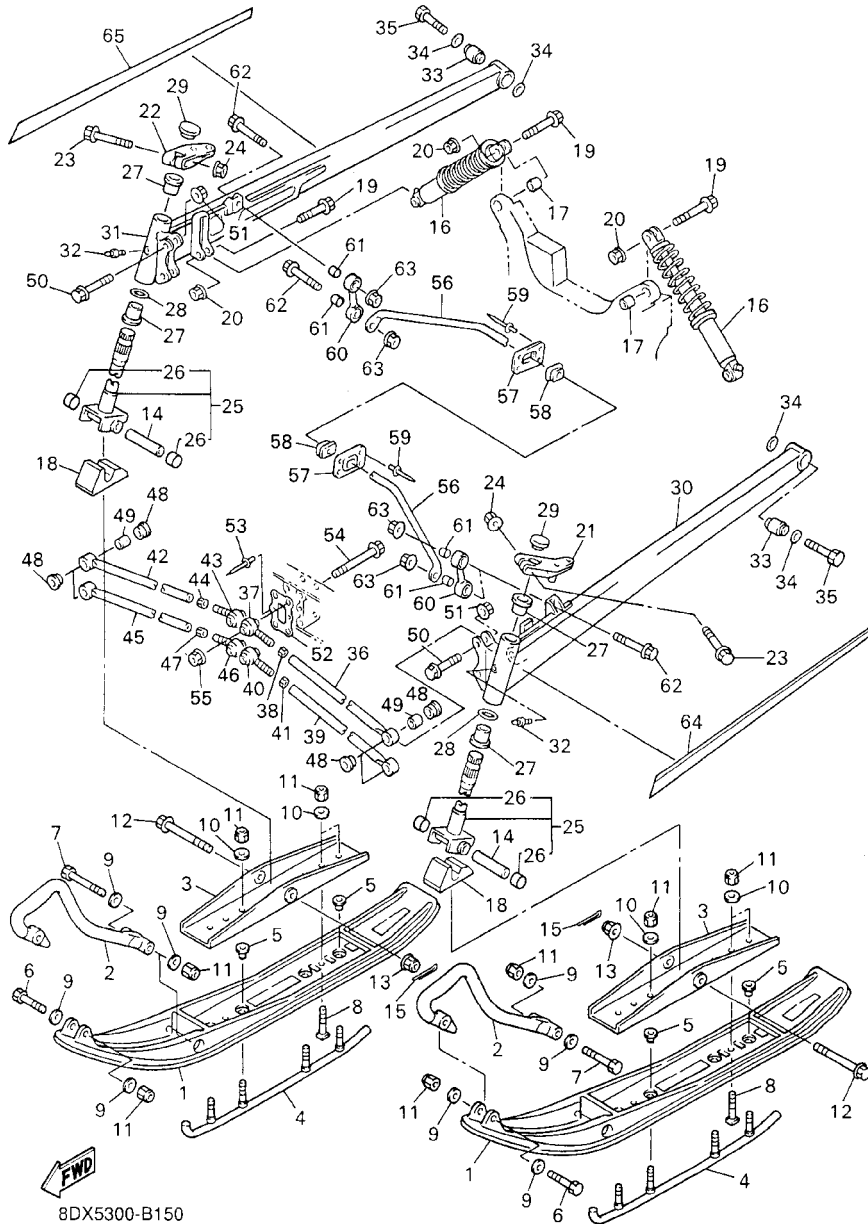


FIG. 15 SKI

REF. NO.	PART NO.	DESCRIPTION	EUR				REMARKS
1	8EK-23711-00	SKI 1	2				
2	8DM-23712-00	REINFORCEMENT, HEAD	2				
3	8EK-23766-00	SADDLE 1	2				
4	8EK-23731-00	RUNNER 1	2				
5	8EK-23751-00	BUSH, SKI 1	8				
6	97027-08055	BOLT	2				
7	97027-08100	BOLT	2				
8	90108-08002	BOLT, SQUARE	4				
9	90201-08784	WASHER, PLATE	8				
10	90201-086P8	WASHER, PLATE	12				
11	95707-08300	NUT, FLANGE	16				
12	90105-10712	BOLT, FLANGE	2				
13	95607-10200	NUT, SELF-LOCKING	2				
14	90387-1012H	COLLAR	2				
15	91401-20020	PIN, COTTER	2				
16	8DX-2376A-10	ABSORBER ASSY 1	2				
17	8CR-2376B-00	BUSH	2				
18	8CR-23743-10	STOPPER 1	2				
19	90105-100A9	BOLT, FLANGE	4				
20	95607-10200	NUT, SELF-LOCKING	4				
21	8CR-23851-00	ARM, OUTSIDE 1	1				
22	8CR-23852-00	ARM, OUTSIDE 2	1				
23	95817-10055	BOLT, FLANGE	2				
24	95607-10200	NUT, SELF-LOCKING	2				
25	8DM-23803-00	COLUMN, SKI ASSY	2				
26	90384-16251	BUSH, BIMETAL FORMED	2				
27	90381-25115	BUSH, SOLID	4				

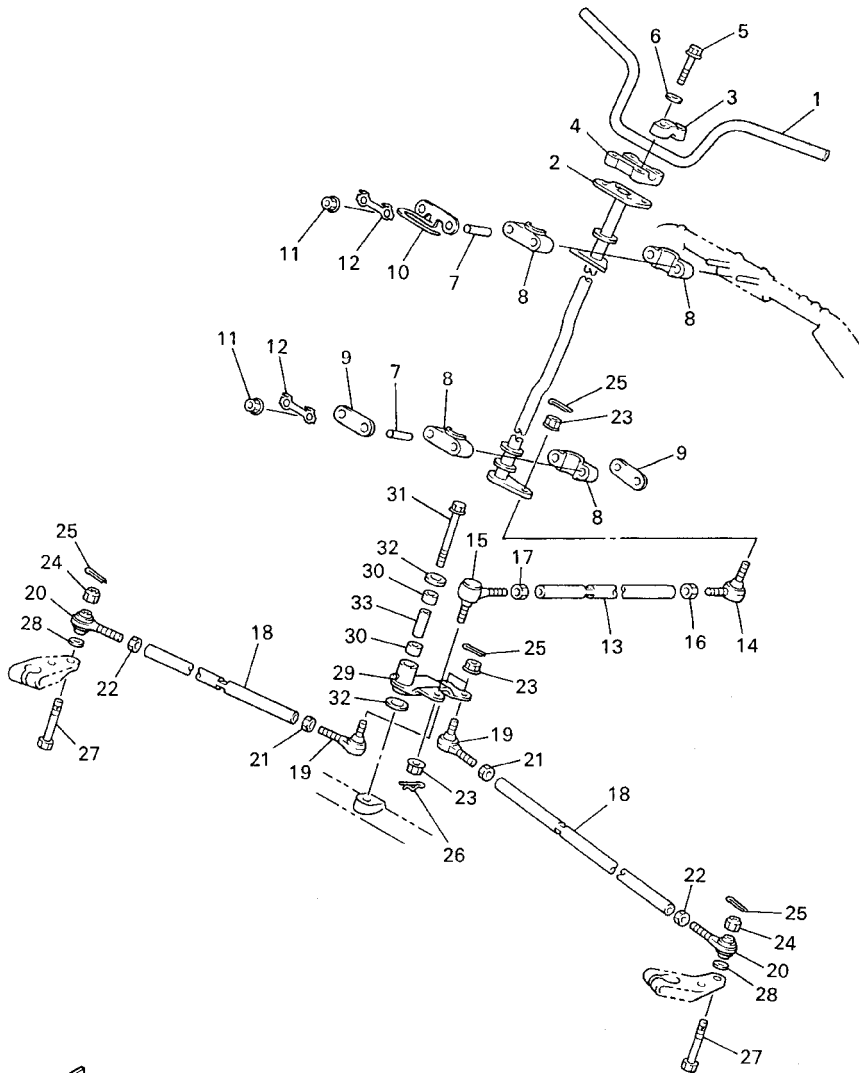
FIG. 15 SKI



8DX5300-B150

REF. NO.	PART NO.	DESCRIPTION	EUR				REMARKS
28	90201-301G3	WASHER, PLATE	2				
29	8CR-23741-10	CAP 1	2				
30	8DM-2382E-00	ARM, FRONT 1	1				
31	8DM-2382F-00	ARM, FRONT 2	1				
32	93700-06004	NIPPLE, GREASE	2				
33	8CR-2516A-00	DAMPER	2				
34	90201-120T5	WASHER, PLATE	4				
35	90101-12780	BOLT	2				
36	8CR-2384E-02	ARM, CONTROL 1	1				
37	8DN-23823-00	JOINT 2	1				
38	95317-12600	NUT	1				
39	8CR-2384F-02	ARM, CONTROL 2	1				
40	8DN-23832-00	JOINT 3	1				
41	95314-14600	NUT	1				
42	8CR-2384E-02	ARM, CONTROL 1	1				
43	8DN-23823-00	JOINT 2	1				
44	95317-12600	NUT	1				
45	8CR-2384F-02	ARM, CONTROL 2	1				
46	8DN-23832-00	JOINT 3	1				
47	95314-14600	NUT	1				
48	90381-17110	BUSH, SOLID	8				
49	90387-1009K	COLLAR	4				
50	90105-100A9	BOLT, FLANGE	4				
51	95607-10200	NUT, SELF-LOCKING	4				
52	8DF-23779-00	WASHER	1				
53	90267-48057	RIVET, BLIND	2				
54	90105-121A8	BOLT, FLANGE	4				

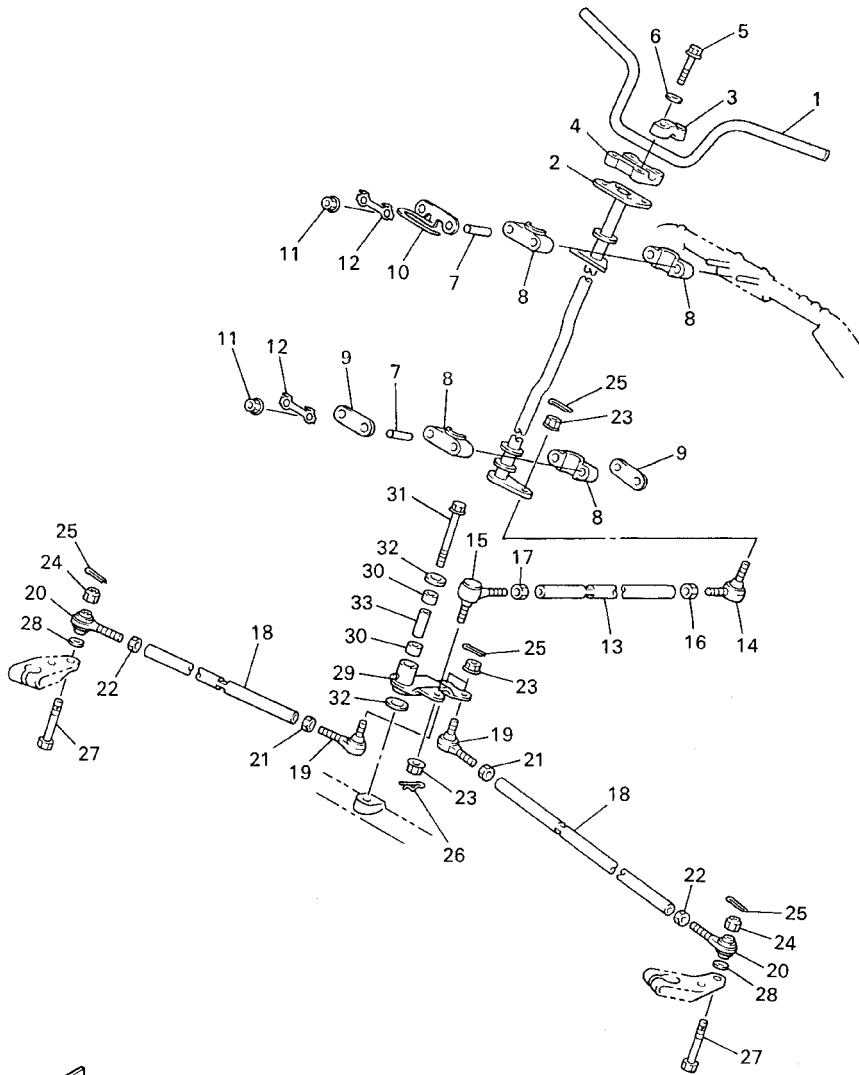
FIG. 16 STEERING



8DJ3100-1160

REF. NO.	PART NO.	DESCRIPTION	EUR				REMARKS
1	8CR-23811-00	COLUMN, STEERING	1				
2	8EG-23813-00	COLUMN, STEERING 2	1				
3	8K1-23814-00	HOLDER, HANDLE	2				
4	8G5-23814-00	HOLDER,HANDLE UNDER	1				
5	97027-08055	BOLT	4				
6	92907-08600	WASHER, PLATE	4				
7	90387-090R0	COLLAR	4				
8	8DF-23812-00	PLANE BEARING, STEERING	4				
9	8CR-23872-00	HOLDER, BEARING	2				
10	8CJ-23872-00	HOLDER, BEARING	1				
11	95707-08300	NUT, FLANGE	4				
12	1UY-23894-01	WASHER, LOCK 1	2				
13	8CR-23821-00	ROD, STEERING RELAY	1				
14	8CR-23845-00	JOINT, UNIVERSAL 2	1				
15	8CR-23847-00	JOINT, UNIVERSAL 3	1				
16	95307-10700	NUT	1				
17	90170-10186	NUT	1				(L.H. THREAD)
18	8CR-23831-00	ROD, TIE	2				
19	8CR-23845-00	JOINT, UNIVERSAL 2	2				
20	87S-23847-00	JOINT, UNIVERSAL 3	2				(L.H. THREAD)
21	95307-10700	NUT	2				
22	90170-10186	NUT	2				(L.H. THREAD)
23	95707-10500	NUT, FLANGE	4				
24	95707-10300	NUT, FLANGE	2				
25	91401-25020	PIN, COTTER	5				
26	90468-12006	CLIP	1				
27	90102-10044	BOLT, WITH HOLE	2				

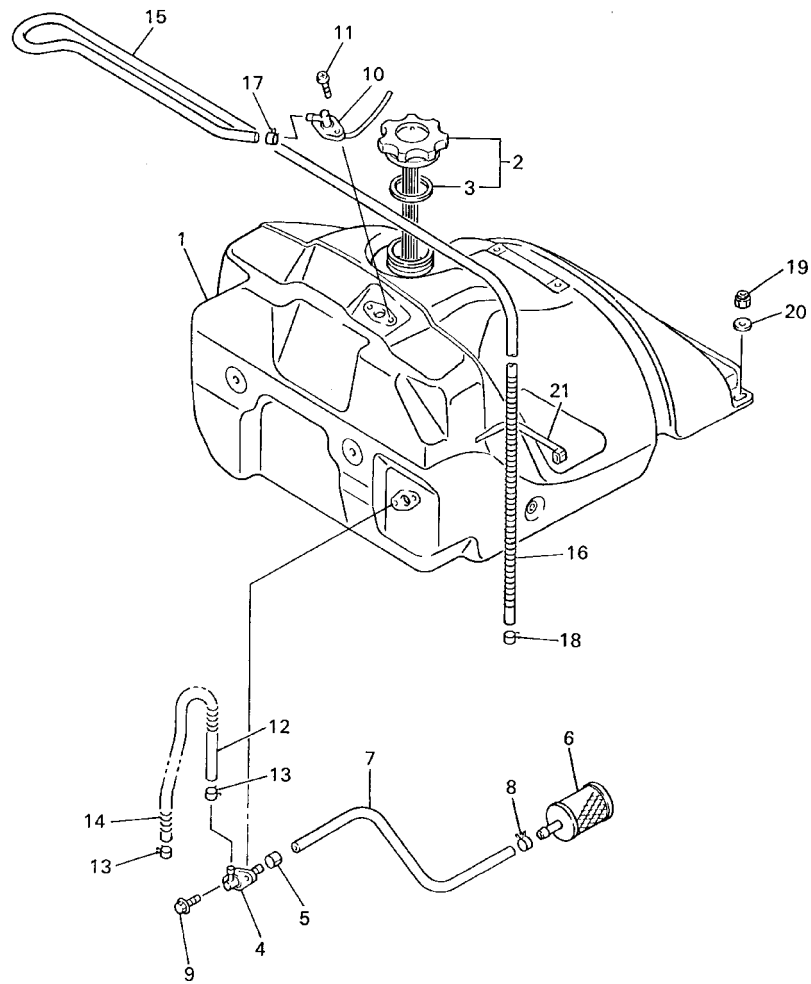
FIG. 16 STEERING



8DJ3100-1160

REF. NO.	PART NO.	DESCRIPTION	EUR				REMARKS
28	90201-08759	WASHER, PLATE	2				
29	8DF-23826-10	ARM, IDLER	1				
30	93317-41767	BEARING	2				
31	90105-12006	BOLT, FLANGE	1				
32	90201-121U3	WASHER, PLATE	2				
33	8DF-2412G-00	COLLAR	1				

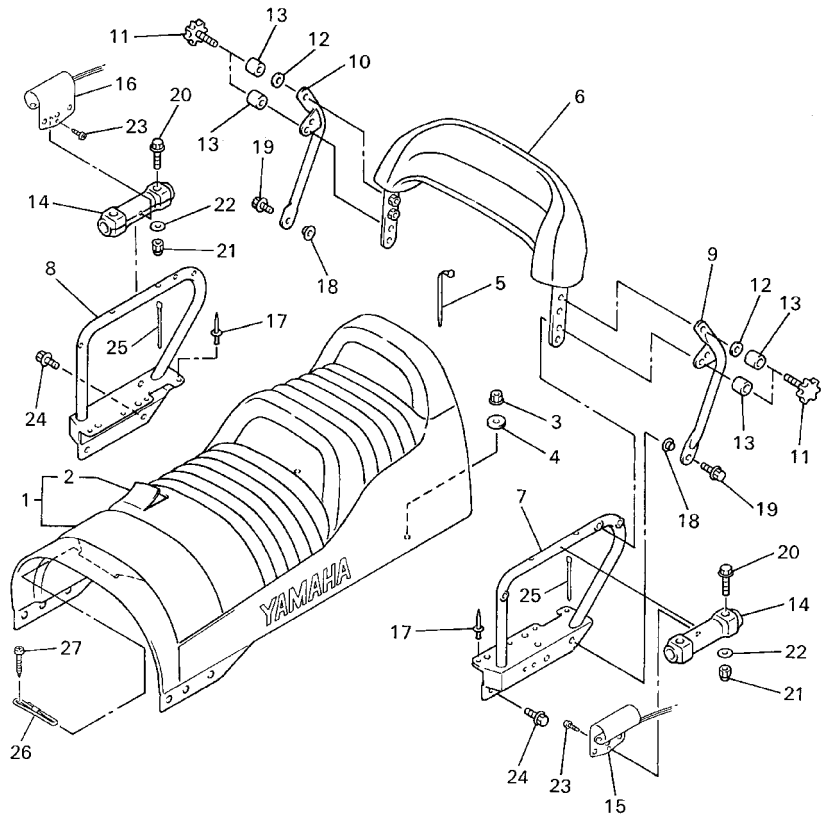
FIG. 18 FUEL TANK



8DJ100-9180

REF. NO.	PART NO.	DESCRIPTION	EUR				REMARKS
1	8DJ-24111-00	TANK, FUEL	1				
2	8CR-24610-00	CAP ASSY	1				
3	8CW-24612-00	.GASKET, CAP	1				
4	8CR-24301-00	SUCTION PIPE COMP. 1	1				
5	90468-04092	CLIP	1				
6	8H5-24560-00	FILTER ASSY	1				
7	8CR-24335-00	PIPE, SUCTION 1	1				
8	90467-11032	CLIP	1				
9	90105-060A6	BOLT, FLANGE	2				
10	8CR-2418A-00	BREATHER COMP.	1				
11	90149-06330	SCREW	2				
12	8CR-24311-10	PIPE, FUEL 1	1				
13	90467-11032	CLIP	2				
14	90501-08668	SPRING, COMPRESSION	1				
15	91A20-05115	TUBE, FLEXIBLE VINYL	1				
16	90501-084J0	SPRING, COMPRESSION	1				
17	90468-02078	CLIP	1				
18	90467-09026	CLIP	1				
19	95707-08300	NUT, FLANGE	2				
20	90201-08784	WASHER, PLATE	2				
21	90464-13073	CLAMP	1				

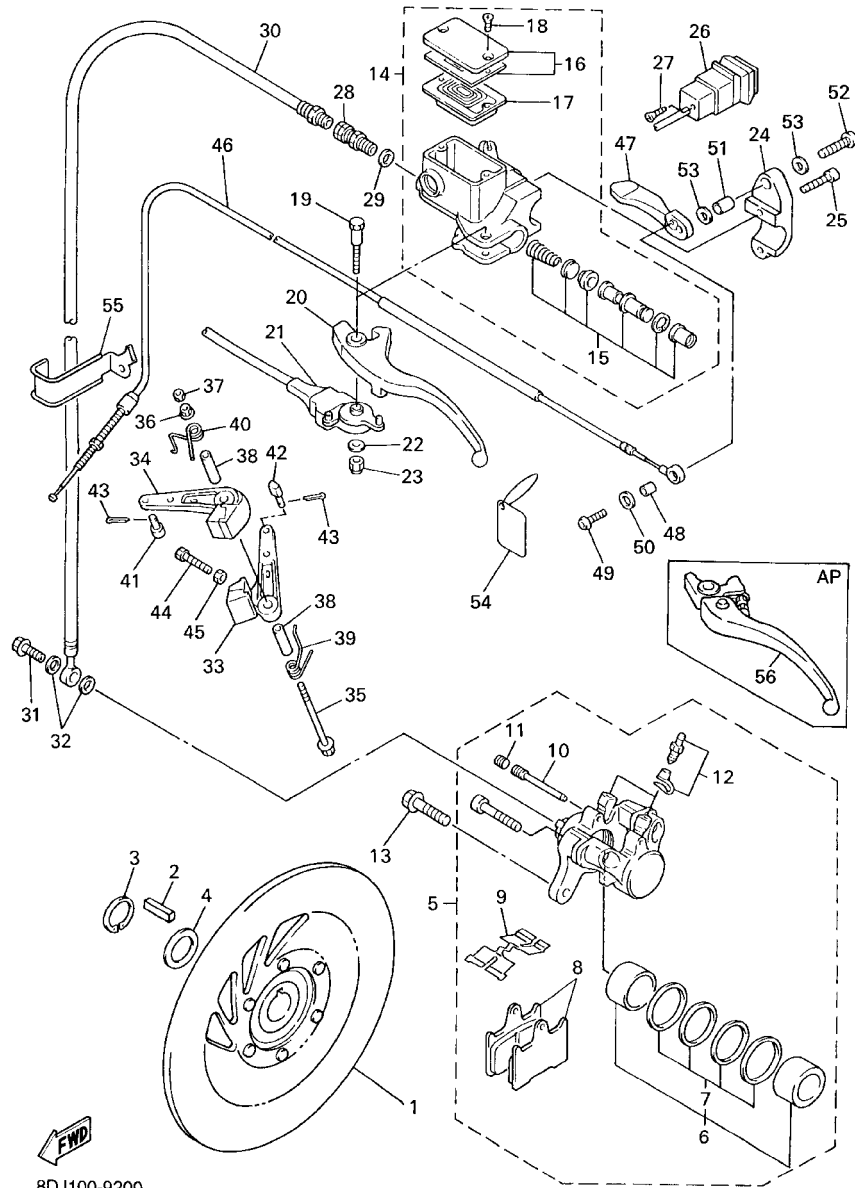
FIG. 19 SEAT



8CW100-7210

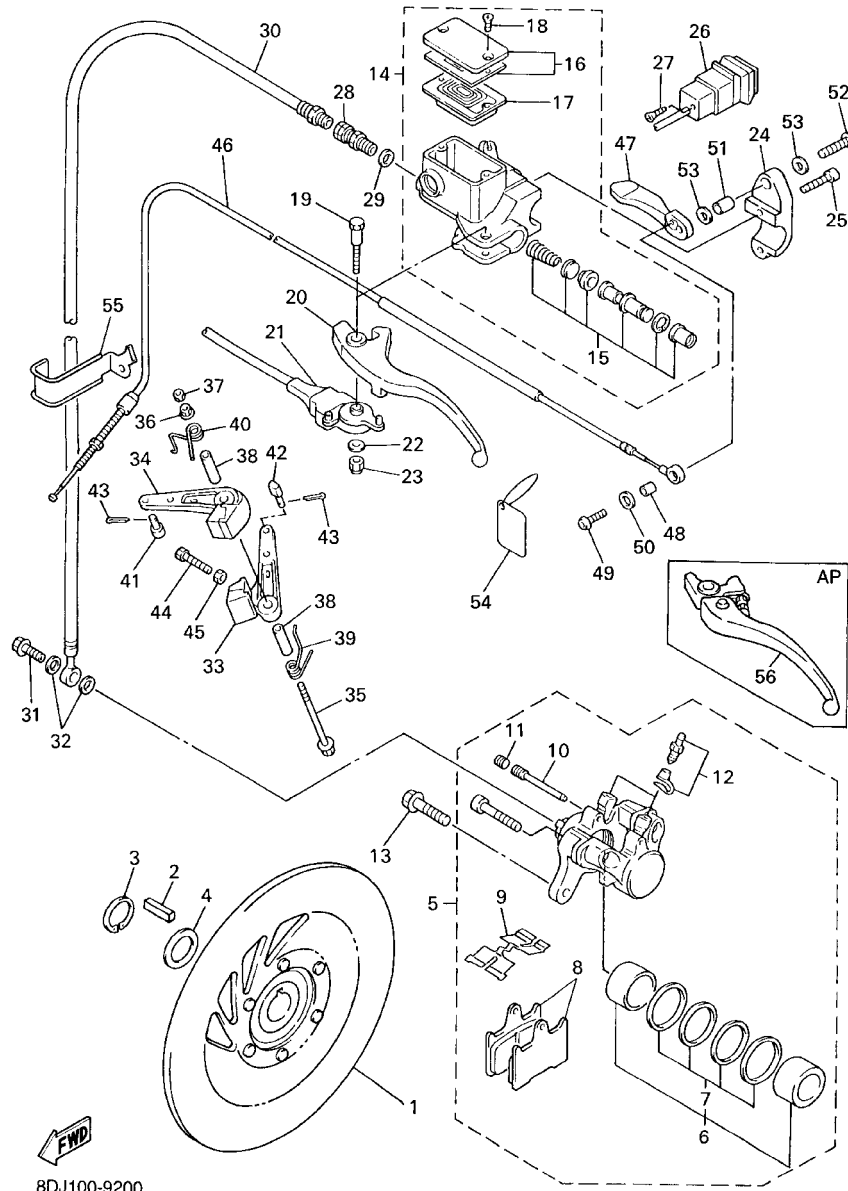
REF. NO.	PART NO.	DESCRIPTION	EUR				REMARKS
1	8CW-24730-20	DOUBLE SEAT ASSY	1				
2	8CW-2470F-20	.SEAT COVER COMP.	1				
3	95707-08300	NUT, FLANGE	2				
4	90201-086A3	WASHER, PLATE	2				
5	90464-13077	CLAMP	2				
6	8CW-24790-10	SEAT BACK ASSY	1				
7	8CW-2474H-01	BRACKET, ASSIST GRIP 1	1				
8	8CW-2474J-01	BRACKET, ASSIST GRIP 2	1				
9	8CW-24797-00	BRACKET, SEAT BACK	1				
10	8CW-2479L-00	BRACKET, SEAT	1				
11	8CW-2479H-00	BODY, SEAT LOCK	4				
12	90201-083A8	WASHER, PLATE	2				
13	8CW-24737-00	DAMPER, SEAT	4				
14	8CW-2474A-00	ASSIST, GRIP	2				
15	8CW-2474B-00	ASSIST GRIP WARMER ASSY 1	1				
16	8CW-2474C-00	ASSIST GRIP WARMER ASSY 2	1				
17	90267-47187	RIVET, BLIND	8				
18	90560-08251	SPACER	2				
19	95807-08016	BOLT, FLANGE	2				
20	95807-06040	BOLT, FLANGE	4				
21	95307-06800	NUT	4				
22	92907-06200	WASHER	4				
23	97707-50016	SCREW, TAPPING	2				
24	95807-08014	BOLT, FLANGE	4				
25	90464-13077	CLAMP	2				
26	8CR-24734-00	BAND, SEAT	1				
27	90154-06040	SCREW, BINDING	2				

FIG. 20 BRAKE



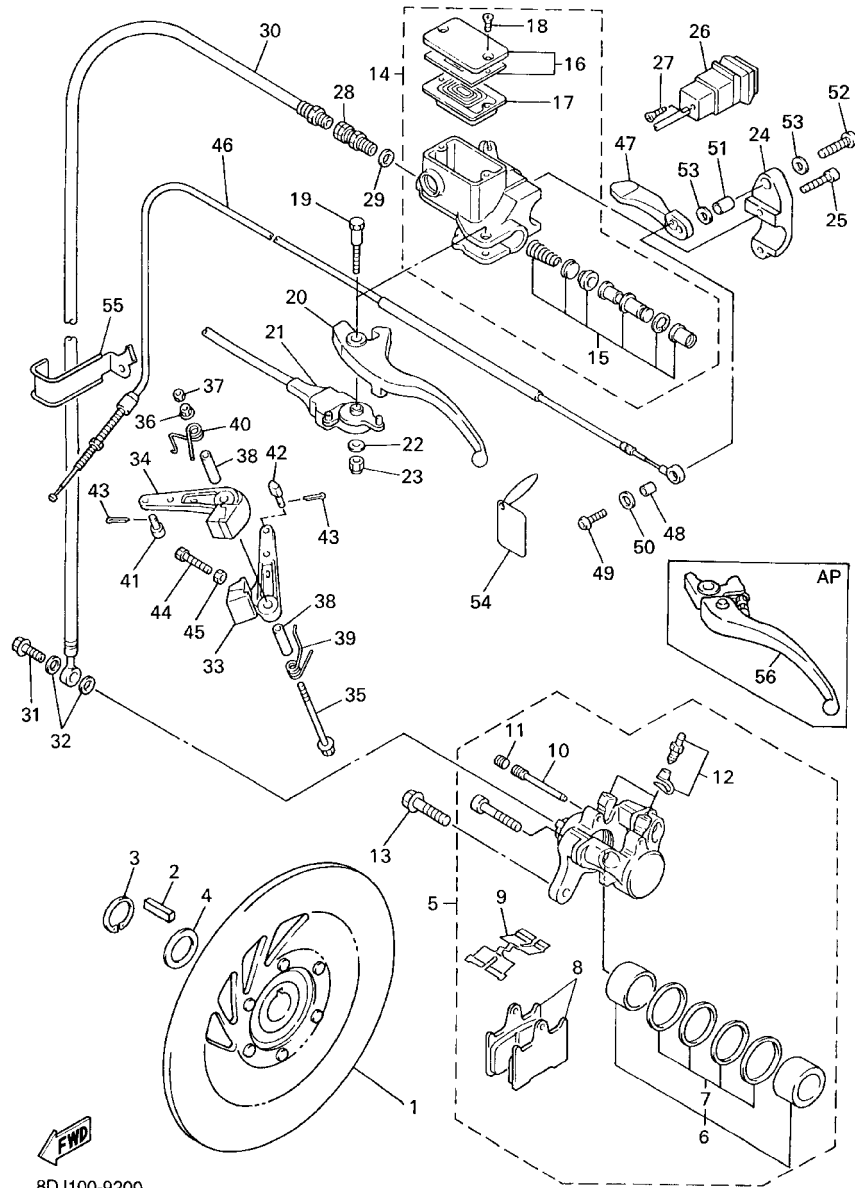
REF. NO.	PART NO.	DESCRIPTION	EUR				REMARKS
1	8DJ-2581T-00	DISC BRAKE ASSY	1				
2	90281-07004	KEY, SLIDING	1				
3	93410-27080	CIRCLIP	1				
4	90201-270U5	WASHER, PLATE	1				
5	8DJ-2580T-00	CALIPER ASSY (LEFT)	1				
6	8CR-W0057-00	.PISTON ASSY, CALIPER	1				
7	8CR-W0047-00	..CALIPER SEAL KIT	1				
8	8DJ-W0046-00	.BRAKE PAD KIT 2	1				
9	8CR-25919-00	.SUPPORT, PAD	1				
10	8CR-25924-00	.PIN, PAD	1				
11	8CR-25926-00	.BOLT	1				
12	8CR-W0048-00	.BLEED SCREW KIT	2				
13	90105-10634	BOLT, FLANGE	2				
14	8DF-W2587-40	MASTER CYLINDER SUB ASSY	1				
15	8CR-W0041-00	.CYLINDER KIT, MASTER	1				
16	8CR-W2585-00	.RESERVOIR CAP SET	1				
17	55U-25854-00	.DIAPHRAGM, RESERVOIR	1				
18	98706-04012	.SCREW, FLAT HEAD	2				
19	8CR-2589F-00	BOLT, LEVER	1				
20	8CR-83912-00	LEVER 1	1				
21	8CR-82530-01	STOP SWITCH ASSY	1				
22	8CR-8398X-00	WASHER, PLAIN	1				
23	95707-05300	NUT, FLANGE	1				
24	8CR-25867-00	HOLDER, MASTER CYLINDER	1				
25	91316-06022	BOLT	2				
26	8K4-83950-01	BEAM SWITCH ASSY	1				
27	8CR-2589H-00	SCREW	1				

FIG. 20 BRAKE



REF. NO.	PART NO.	DESCRIPTION	EUR				REMARKS
28	3LC-25885-00	JOINT	1				
29	90201-10118	WASHER, PLATE	1				
30	8DF-25872-10	HOSE, BRAKE 1	1				
31	90401-10159	BOLT, UNION	1				
32	90201-10118	WASHER, PLATE	2				
33	8DJ-25730-00	CALIPER BODY COMP.1	1				
34	8DJ-25740-00	CALIPER BODY COMP. 2	1				
35	90105-08094	BOLT, FLANGE	1				
36	95707-08500	NUT, FLANGE	1				
37	95307-08700	NUT	1				
38	90387-084R5	COLLAR	2				
39	90508-291B2	SPRING, TORSION	1				
40	90508-291B1	SPRING, TORSION	1				
41	90249-06009	PIN	1				
42	90249-06012	PIN	1				
43	91490-20015	PIN, COTTER	2				
44	90101-06288	BOLT	1				
45	95307-06700	NUT	1				
46	8CR-26351-03	CABLE, BRAKE	1				
47	8CR-83922-00	LEVER 2	1				
48	90387-06043	COLLAR	1				
49	92017-06014	BOLT	1				
50	90201-06050	WASHER, PLATE	1				
51	90387-081M9	COLLAR	1				
52	92017-08020	BOLT	1				
53	90201-08403	WASHER, PLATE	2				
54	8CR-23496-00	TAG, CAUTION	1				

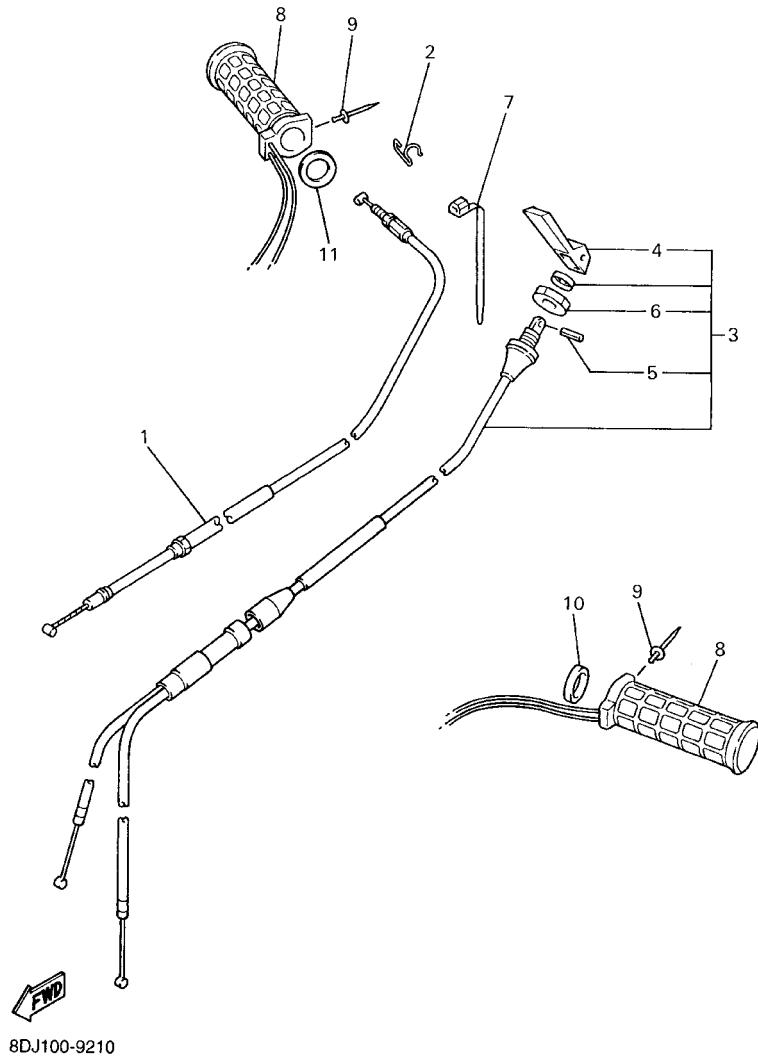
FIG. 20 BRAKE



8DJ100-9200

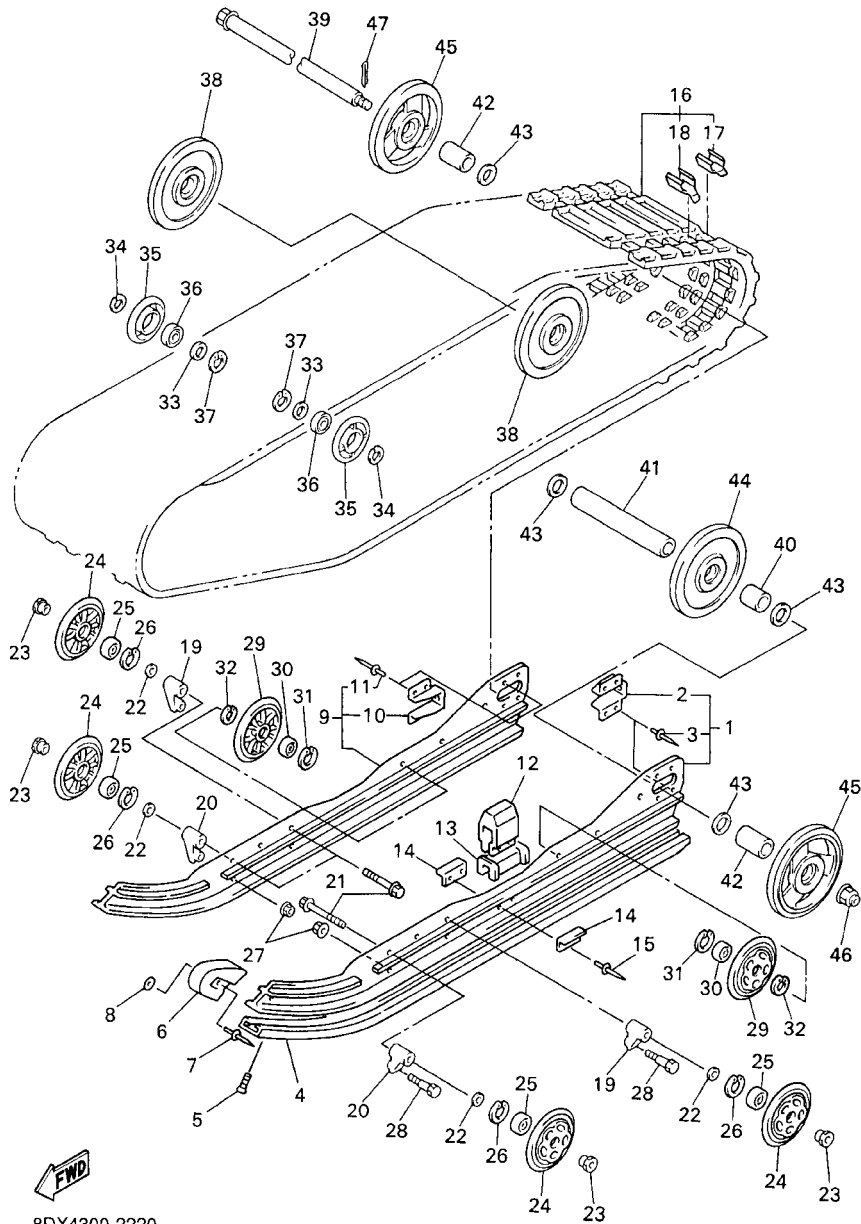
REF. NO.	PART NO.	DESCRIPTION	EUR				REMARKS
55	8DF-25886-00	HOLDER, BRAKE HOSE	1				
56	8DN-83912-00	LEVER 1	1				AP

FIG. 21 CONTROL CABLE



REF. NO.	PART NO.	DESCRIPTION	EUR				REMARKS
1	8DJ-26311-01	CABLE, THROTTLE 1	1				
2	90465-10189	CLAMP	1				
3	8DJ-26330-01	STARTER CABLE ASSY	1				
4	8U9-26325-00	.KNOB, STARTER	1				
5	91609-30010	.PIN, SPRING	1				
6	8G8-26333-00	.NUT	1				
7	90464-13073	CLAMP	1				
8	88T-26240-00	GRIP ASSY	2				
9	90267-40076	RIVET, BLIND	2				
10	90387-22726	COLLAR	1				
11	80Y-23843-00	WASHER, PLAIN	1				

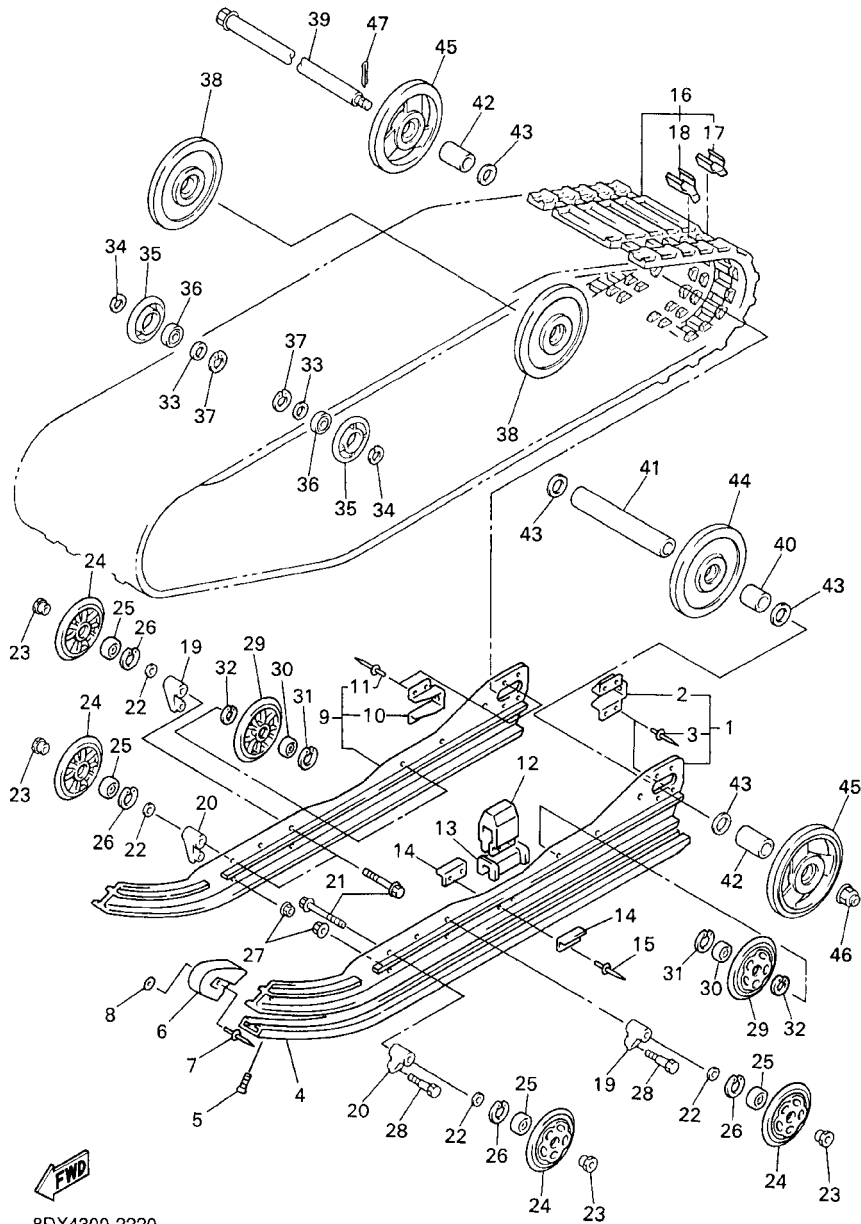
FIG. 22 TRACK SUSPENSION 1



8DX4300-2220

REF. NO.	PART NO.	DESCRIPTION	EUR				REMARKS
1	8DX-47411-00	FRAME, SLIDING 1	1				
2	8V0-4741B-00	.BRACKET	1				
3	8V0-47468-00	.RIVET	4				
4	8CW-47421-20	RUNNER, SLIDING 1	2				
5	90151-06010	SCREW, COUNTERSUNK	2				
6	8CM-47422-10	RUNNER, SLIDING 2	2				
7	90267-48194	RIVET, BLIND	2				
8	90201-047R8	WASHER, PLATE	2				
9	8DX-47412-00	FRAME, SLIDING 2	1				
10	8V0-4741B-00	.BRACKET	1				
11	8V0-47468-00	.RIVET	4				
12	8CM-47457-00	DAMPER 2	2				
13	8CM-47341-00	SPACER	2				
14	8AX-47458-00	PLATE, DAMPER	4				
15	90267-48199	RIVET, BLIND	4				
16	8CC-47110-01	TRACK ASSY	1				
17	8EA-47113-00	.PLATE, REINFORCEMENT	54				
18	8EA-47115-30	.METAL, SLIDE	54				
19	8CM-47419-10	BRACKET 7	2				
20	8CM-47419-20	BRACKET 7	2				
21	90105-10769	BOLT, FLANGE	4				
22	90201-100L3	WASHER, PLATE	4				
23	90179-10670	NUT	4				
24	87M-47320-00	SUSPENSION WHEEL COMP.	4				
25	93306-00444	BEARING	4				
26	99009-42500	CIŘCLÍP	4				
27	95607-08200	NUT, SELF-LOCKING	4				

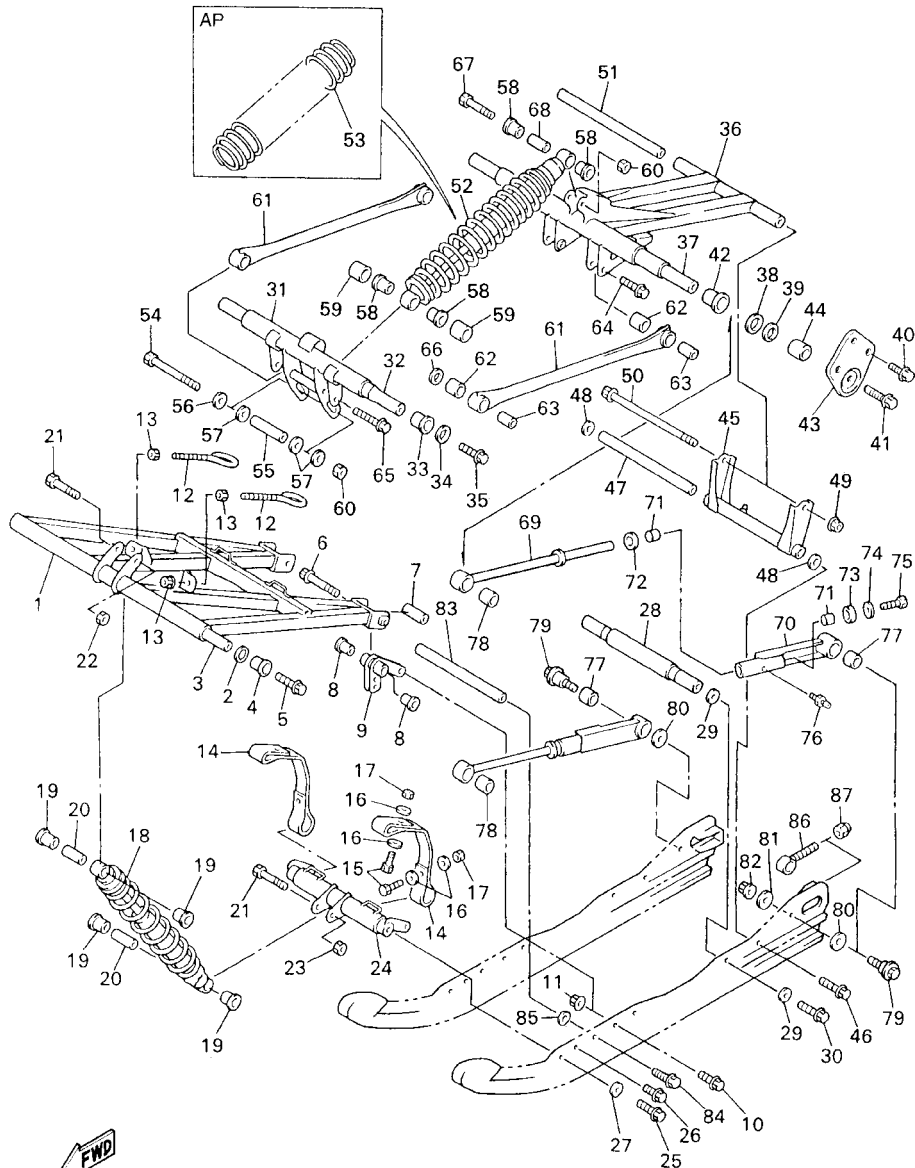
FIG. 22 TRACK SUSPENSION 1



8DX4300-2220

REF. NO.	PART NO.	DESCRIPTION	EUR				REMARKS
28	90101-08774	BOLT	4				
29	87M-47320-00	SUSPENSION WHEEL COMP.	2				
30	93306-00444	BEARING	2				
31	99009-42500	CIRCLIP	2				
32	99009-20400	CIRCLIP	2				
33	90387-2004V	COLLAR	2				
34	99009-20400	CIRCLIP	2				
35	8H8-47320-00	SUSPENSION WHEEL COMP.	2				
36	93306-00444	BEARING	2				
37	99009-42500	CIRCLIP	2				
38	8CR-47550-00	GUIDE WHEEL ASSY	2				
39	8L8-47520-02	REAR AXLE COMP.	1				
40	90387-2012E	COLLAR	1				
41	90387-2012C	COLLAR	1				
42	90387-2012D	COLLAR	2				
43	90201-205R6	WASHER, PLATE	4				
44	8CR-47550-10	GUIDE WHEEL ASSY	1				
45	8DF-47550-01	GUIDE WHEEL ASSY	2				
46	95607-14200	NUT, SELF-LOCKING	1				
47	91401-30025	PIN, COTTER	1				

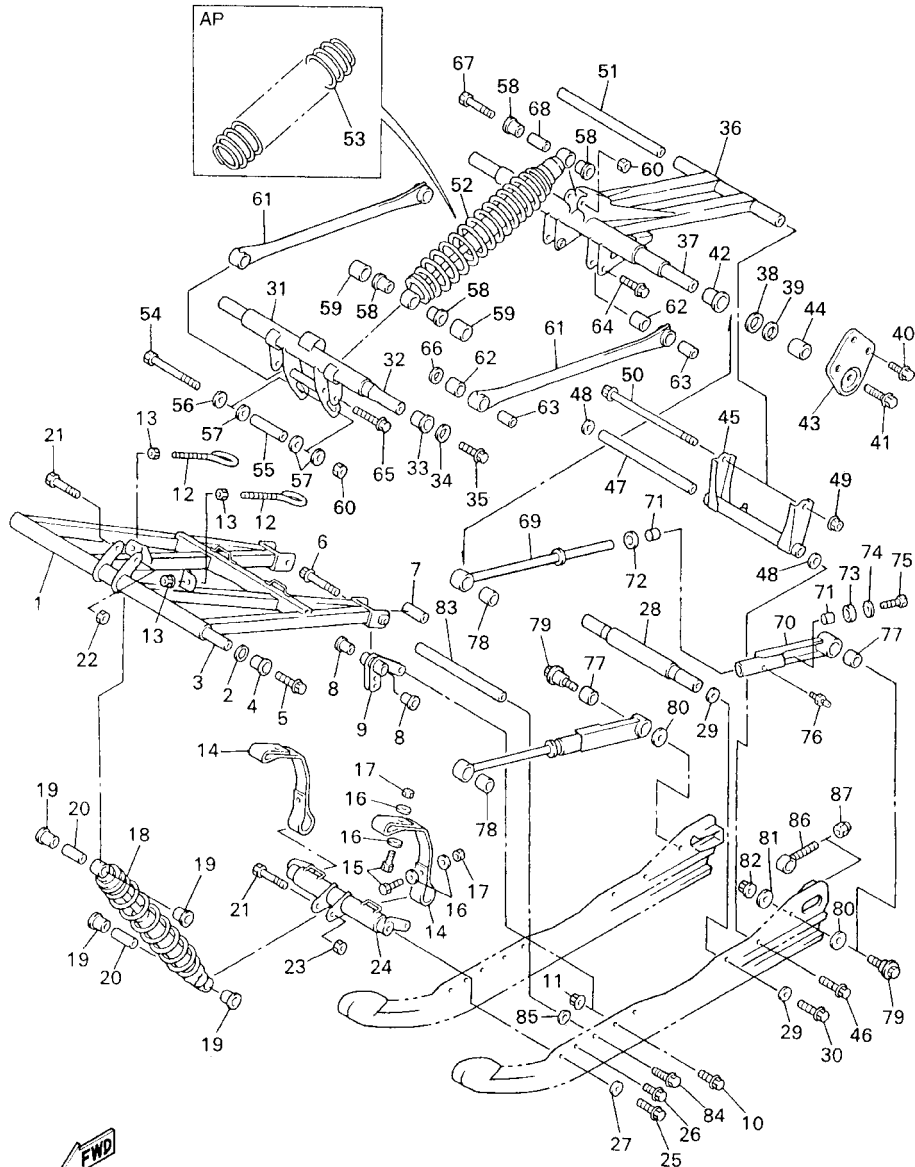
FIG. 23 TRACK SUSPENSION 2



FWD
8DX2100-0230

REF. NO.	PART NO.	DESCRIPTION	EUR				REMARKS
1	8CV-47331-01	ARM, PIVOT 1	1				
2	90201-210U0	WASHER, PLATE	2				
3	8CR-47465-00	SHAFT 1	1				
4	90381-19111	BUSH, SOLID	2				
5	90105-103A1	BOLT, FLANGE	2				
6	90105-10769	BOLT, FLANGE	2				
7	90387-1009T	COLLAR	2				
8	90381-15112	BUSH, SOLID	4				
9	8CR-47415-00	BRACKET 1	2				
10	95817-10025	BOLT, FLANGE	2				
11	95607-10200	NUT, SELF-LOCKING	2				
12	8CR-47448-00	HOOK 3	2				
13	95707-08500	NUT, FLANGE	4				
14	8CR-47495-00	STOPPER 1	2				
15	97007-06025	BOLT	4				
16	90201-06747	WASHER, PLATE	8				
17	95707-06300	NUT, FLANGE	4				
18	8DX-47481-10	SHOCK ABSORBER 2	1				
19	90387-145G7	COLLAR	4				
20	90387-105G5	COLLAR	2				
21	90101-10738	BOLT	2				
22	90185-10110	NUT, SELF-LOCKING	1				
23	95607-10100	NUT, U	1				
24	8EA-47418-00	BRACKET 4	1				
25	90105-10433	BOLT, FLANGE	2				
26	95817-08020	BOLT, FLANGE	2				
27	90201-105A2	WASHER, PLATE	2				

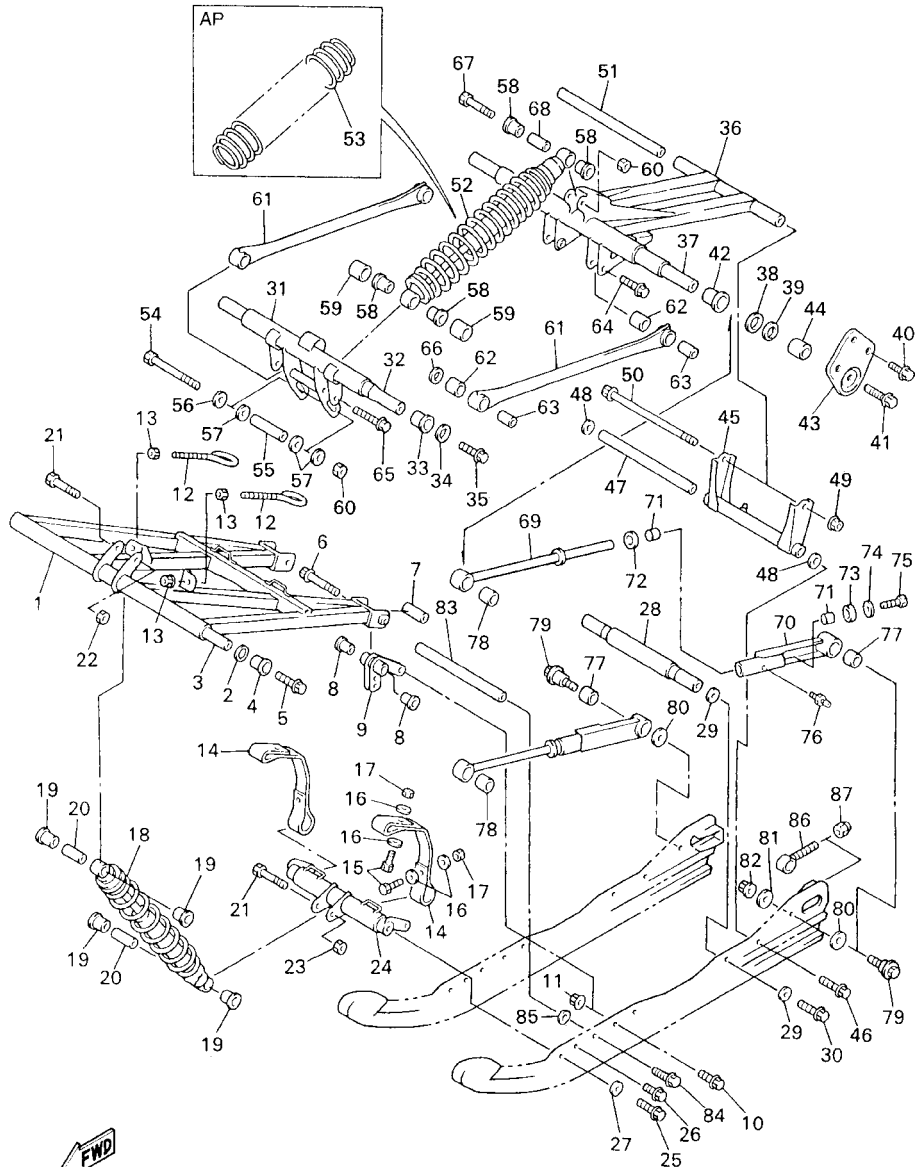
FIG. 23 TRACK SUSPENSION 2



8DX2100-0230

REF. NO.	PART NO.	DESCRIPTION	EUR				REMARKS
28	8AB-47486-00	SHAFT 4	1				
29	90201-100L3	WASHER, PLATE	4				
30	90105-10433	BOLT, FLANGE	2				
31	8CR-47416-10	BRACKET 2	1				
32	8CR-47488-00	SHAFT 6	1				
33	90381-22099	BUSH, SOLID	2				
34	90201-207J5	WASHER, PLATE	2				
35	90105-103A1	BOLT, FLANGE	2				
36	8CR-47332-10	ARM, PIVOT 2	1				
37	8CY-47475-01	SHAFT 2	1				
38	90201-251G8	WASHER, PLATE	2				
39	90201-250T6	WASHER, PLATE	2				
40	95817-08020	BOLT, FLANGE	6				
41	90105-10433	BOLT, FLANGE	2				
42	90381-28108	BUSH, SOLID	2				
43	8CW-47425-00	BRACKET, REAR 2	2				
44	90387-2510A	COLLAR	2				
45	8CR-47417-01	BRACKET 3	1				
46	90105-10433	BOLT, FLANGE	2				
47	82M-47485-02	SHAFT 3	1				
48	90201-10136	WASHER, PLATE	2				
49	95607-08200	NUT, SELF-LOCKING	1				
50	95827-08220	BOLT, FLANGE	1				
51	90387-083G6	COLLAR	1				
52	8DX-47480-00	SHOCK ABSORBER	1				
53	8CW-47489-00	SPRING 1 (K=3.5-5.3)	1				AP
54	8AC-4631K-00	BOLT, ADJUSTING	1				

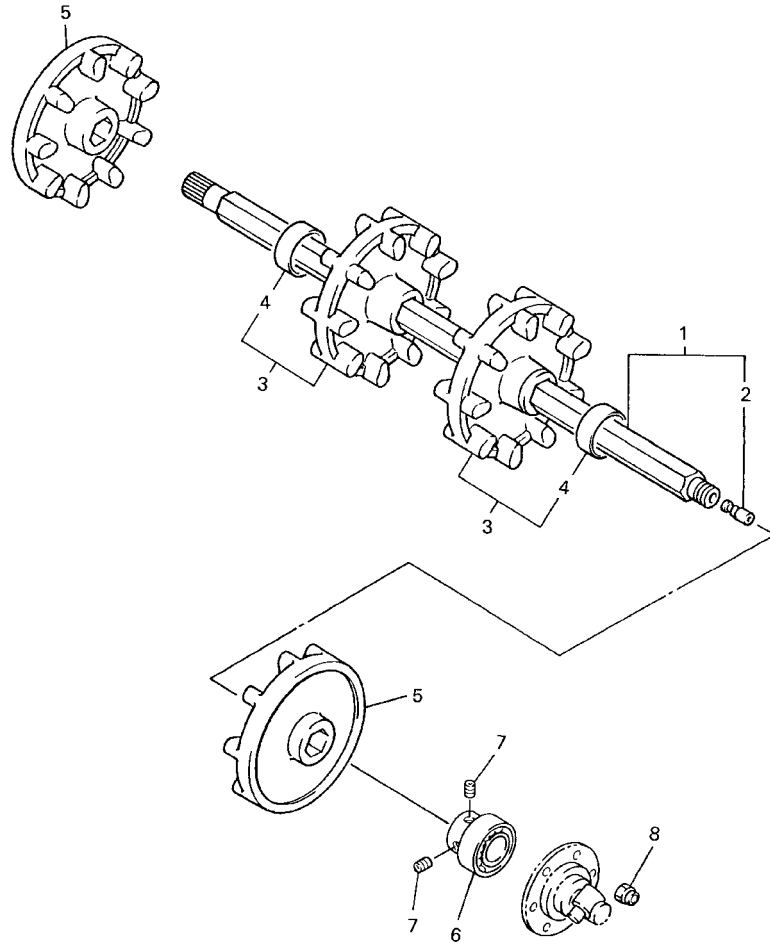
FIG. 23 TRACK SUSPENSION 2



8DX2100-0230

REF. NO.	PART NO.	DESCRIPTION	EUR				REMARKS
55	90387-1009S	COLLAR	1				
56	90201-103U4	WASHER, PLATE	1				
57	90201-100U1	WASHER, PLATE	3				
58	90381-14101	BUSH, SOLID	4				
59	90387-1404R	COLLAR	2				
60	95607-10100	NUT, U	2				
61	8CR-47494-01	ROD, RELAY	2				
62	90381-14109	BUSH, SOLID	4				
63	90387-100X3	COLLAR	4				
64	90105-10739	BOLT, FLANGE	2				
65	90105-10436	BOLT, FLANGE	2				
66	90201-100U1	WASHER, PLATE	2				
67	90101-10738	BOLT	1				
68	90387-105G5	COLLAR	1				
69	8CR-4745A-01	ROD, CONTROL 1	2				
70	8CR-4745B-00	ROD, CONTROL 2	2				
71	90384-16251	BUSH, BIMETAL FORMED	4				
72	90202-16229	WASHER, PLATE	2				
73	90202-16230	WASHER, PLATE	2				
74	90201-106F2	WASHER, PLATE	2				
75	97027-10025	BOLT	2				
76	93700-06004	NIPPLE, GREASE	2				
77	90380-22232	BUSH, SOLID	2				
78	90380-28235	BUSH, SOLID	2				
79	8DF-47367-00	SCREW, REAR PIVOT	2				
80	90201-100S2	WASHER, PLATE	2				
81	90201-101U2	WASHER, PLATE	2				

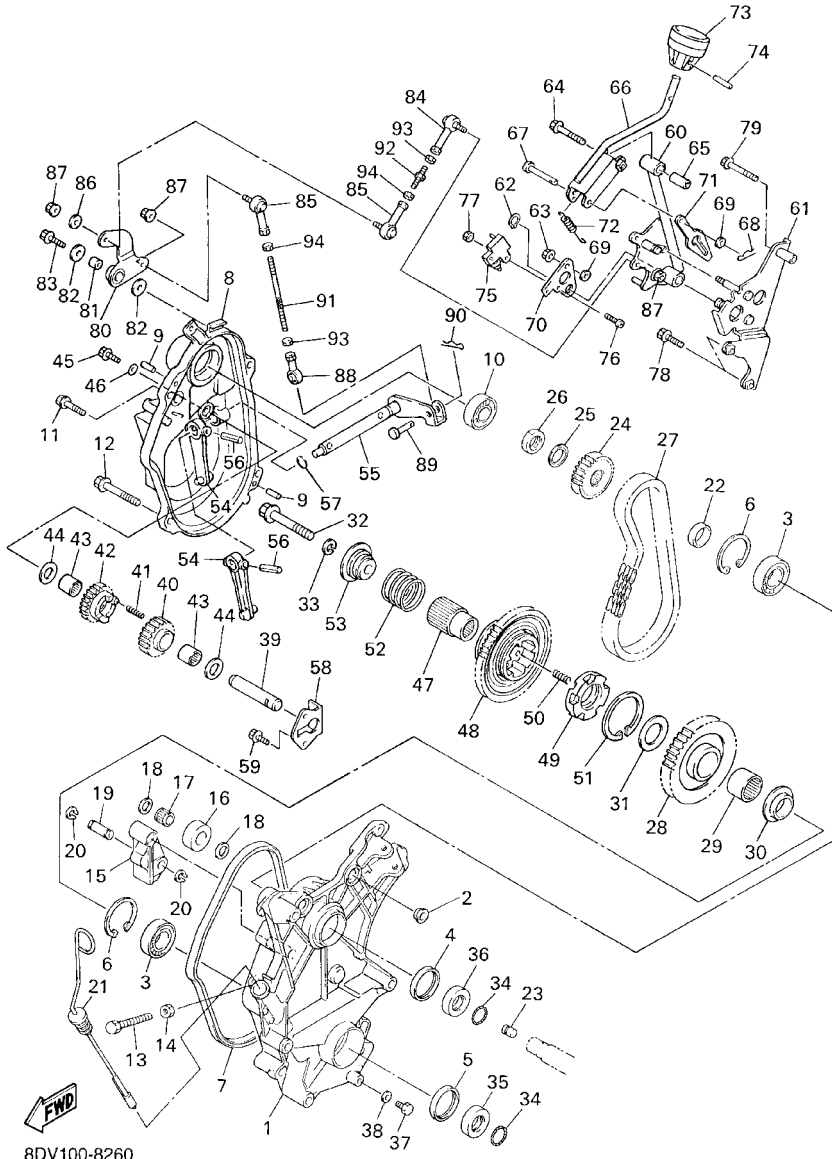
FIG. 24 TRACK DRIVE 1



REF. NO.	PART NO.	DESCRIPTION	EUR				REMARKS
1	8CR-W4751-01	AXLE, FRONT	1				
2	8K4-47577-00	.CONNECTOR	1				
3	8BF-W4753-00	WHEEL, SPROCKET 1	2				
4	90387-514Y2	.COLLAR	1				
5	8DP-47532-00	WHEEL, SPROCKET 2	2				
6	93306-20589	BEARING	1				
7	90113-06064	BOLT, SET	2				
8	95707-08300	NUT, FLANGE	3				

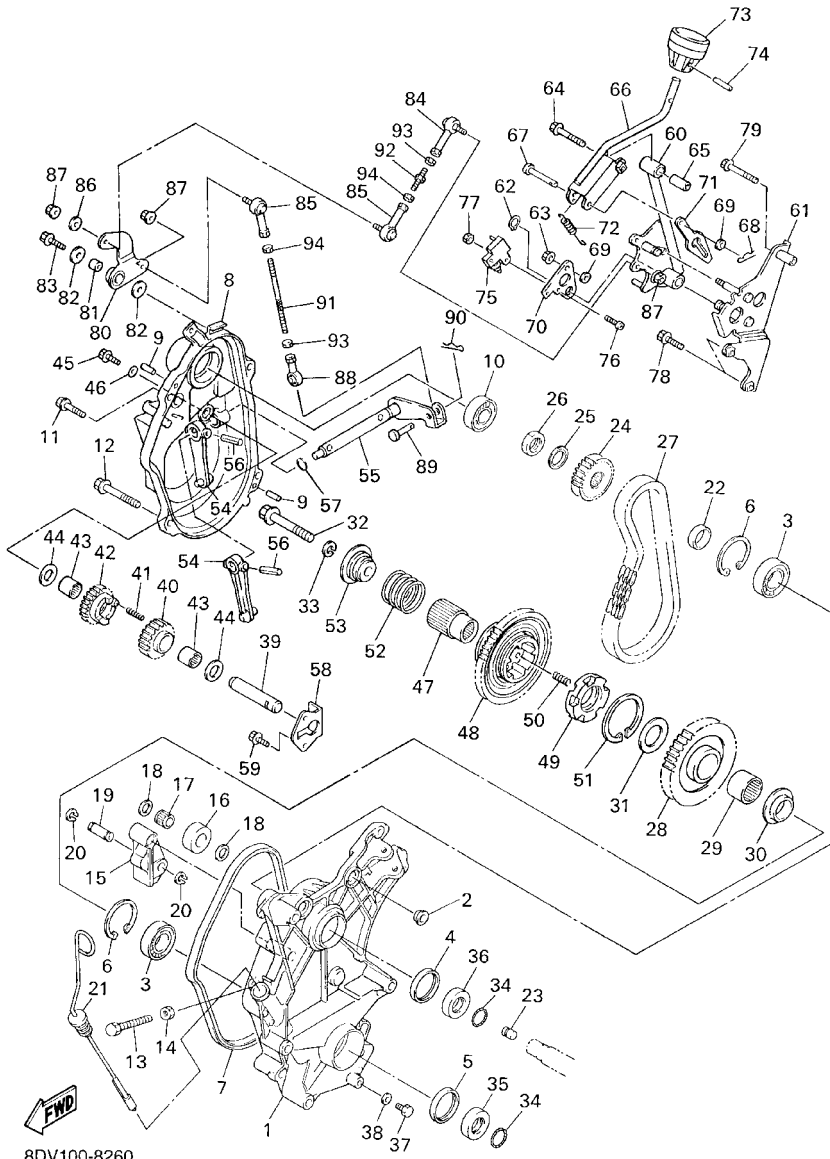

8DX100-9240

FIG. 25 TRACK DRIVE 2



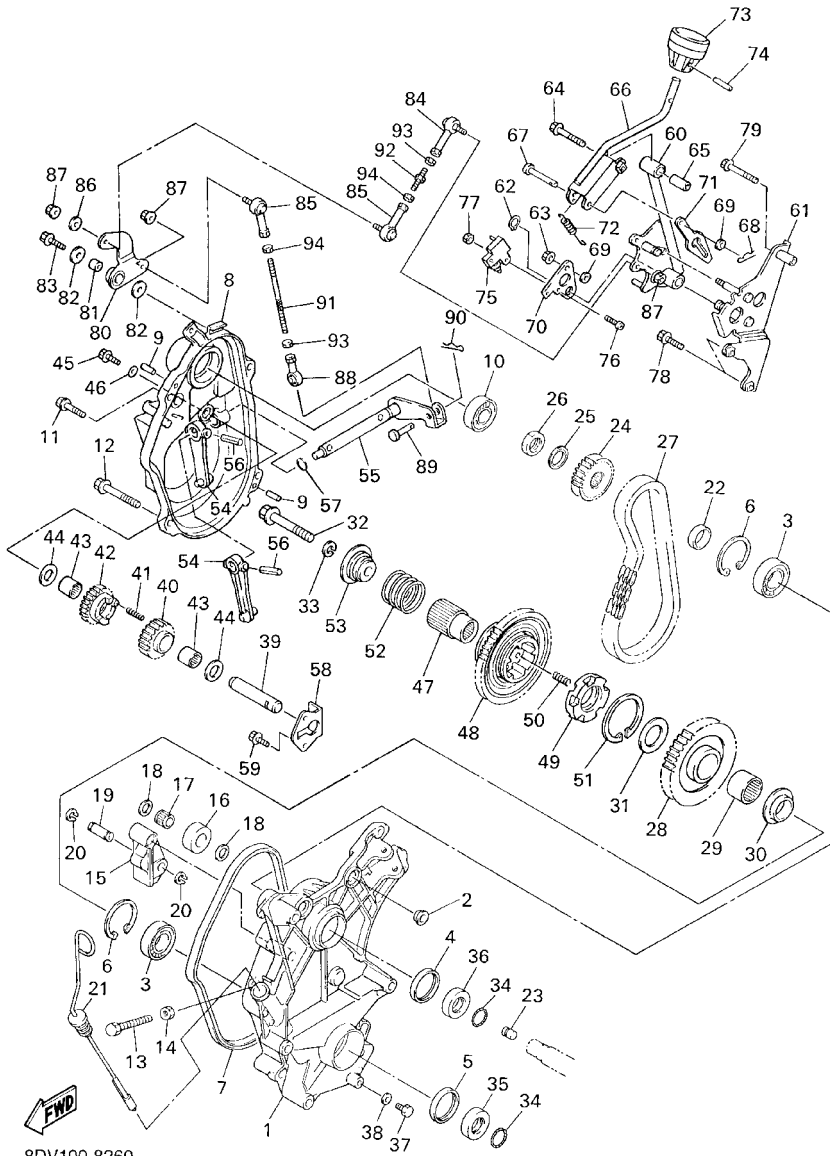
REF. NO.	PART NO.	DESCRIPTION	EUR				REMARKS
1	8CR-47541-01	HOUSING, CHAIN	1				
2	90179-10679	NUT	2				
3	93306-20592	BEARING	2				
4	93102-35473	OIL SEAL	1				
5	93102-35318	OIL SEAL	1				
6	99009-52500	CIRCLIP	2				
7	8CR-47558-01	RING, HOUSING	1				
8	8CW-47543-02	CAP, HOUSING	1				
9	93606-20044	PIN, DOWEL	2				
10	93306-20402	BEARING (B6204JRC3)	1				
11	95827-08030	BOLT, FLANGE	4				
12	95827-10060	BOLT, FLANGE	3				
13	90101-10357	BOLT	1				
14	95307-10600	NUT	1				
15	8CR-47613-00	HOLDER	1				
16	8CR-47612-00	WHEEL	1				
17	93315-21227	BEARING	1				
18	90201-127E1	WASHER, PLATE	2				
19	90249-12227	PIN	1				
20	99009-12400	CIRCLIP	2				
21	8CR-47546-00	LEVEL, OIL	1				
22	90387-2508D	COLLAR	1				
23	82M-17699-00	PLUG, OIL	1				
24	89J-17682-80	SPROCKET, CHAIN DRIVE (18T)	1				
25	90208-22001	WASHER, CONICAL SPRING	1				
26	90170-22094	NUT	1				
27	94860-02068	CHAIN (68L)	1				

FIG. 25 TRACK DRIVE 2



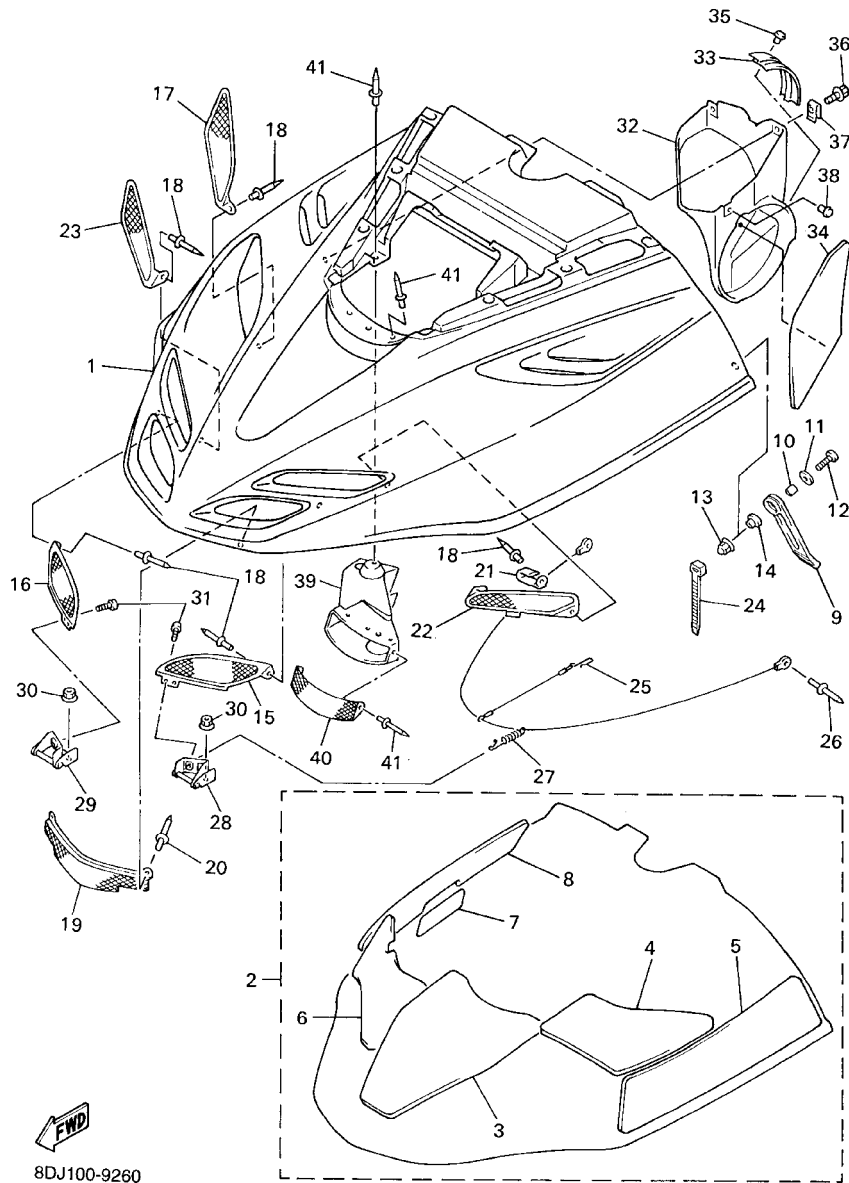
REF. NO.	PART NO.	DESCRIPTION	EUR				REMARKS
28	8CW-47587-90	SPROCKET, CHAIN DRIVEN (39T)	1				
29	93317-33179	BEARING	1				
30	90387-2008G	COLLAR	1				
31	90201-320S3	WASHER, PLATE	1				
32	90105-100A7	BOLT, FLANGE	1				
33	92907-10100	WASHER, SPRING	1				
34	93210-25071	O-RING	2				
35	90387-2508C	COLLAR	1				
36	90387-2511J	COLLAR	1				
37	97007-08014	BOLT	1				
38	90210-08017	WASHER, SEAL	1				
39	8CW-1761A-00	SHAFT, 1	1				
40	8DM-17692-00	SPROCKET, DRIVE	1				
41	90501-06022	SPRING, COMPRESSION	1				
42	8CW-17143-00	GEAR, REVERSE PINION 1	1				
43	93317-21578	BEARING	2				
44	90201-16245	WASHER, PLATE	2				
45	90105-060A6	BOLT, FLANGE	1				
46	90210-06006	WASHER, SEAL	1				
47	8CW-47571-00	JOURNAL 1	1				
48	8CW-17243-00	GEAR, REVERSE WHEEL 1	1				
49	8CW-17492-00	DOG, TRANSMISSION SHIFT	1				
50	90501-066J5	SPRING, COMPRESSION	5				
51	93440-39175	CIRCLIP	1				
52	90501-326J6	SPRING, COMPRESSION	1				
53	8CW-47564-00	COLLAR	1				
54	8CW-18511-00	FORK, SHIFT 1	2				

FIG. 25 TRACK DRIVE 2



REF. NO.	PART NO.	DESCRIPTION	EUR				REMARKS
55	8CW-18197-00	SHAFT	1				
56	91609-50022	PIN, SPRING	2				
57	93210-12131	O-RING	1				
58	8CW-47591-00	PLATE	1				
59	90105-060A6	BOLT, FLANGE	2				
60	8CW-18112-01	ARM, SHIFT	1				
61	8CW-18161-01	GUIDE, PLATE STOPPER	1				
62	99009-12400	CIRCLIP	1				
63	95607-06200	NUT, SELF U-FLANGE	1				
64	95827-06035	BOLT, FLANGE	1				
65	90387-06605	COLLAR	1				
66	8CW-18152-10	LEVER, SHIFT 4	1				
67	91701-06035	PIN, CLEVIS	1				
68	90468-12007	CLIP	1				
69	92907-06200	WASHER	2				
70	8CW-1811A-00	PLATE, SHIFT ARM	1				
71	8CW-18153-00	GUIDE, SHIFT RETURN SPRING	1				
72	90506-14343	SPRING, TENSION	1				
73	8CL-18174-00	KNOB, SHIFT LEVER	1				
74	91609-40022	PIN, SPRING	1				
75	J51-82817-00	SWITCH	1				
76	98907-04016	SCREW, BIND	1				
77	95607-04100	NUT, U	1				
78	95827-06025	BOLT, FLANGE	2				
79	95827-06040	BOLT, FLANGE	1				
80	8CW-18198-00	LEVÉR	1				
81	90387-0608T	COLLAR	1				

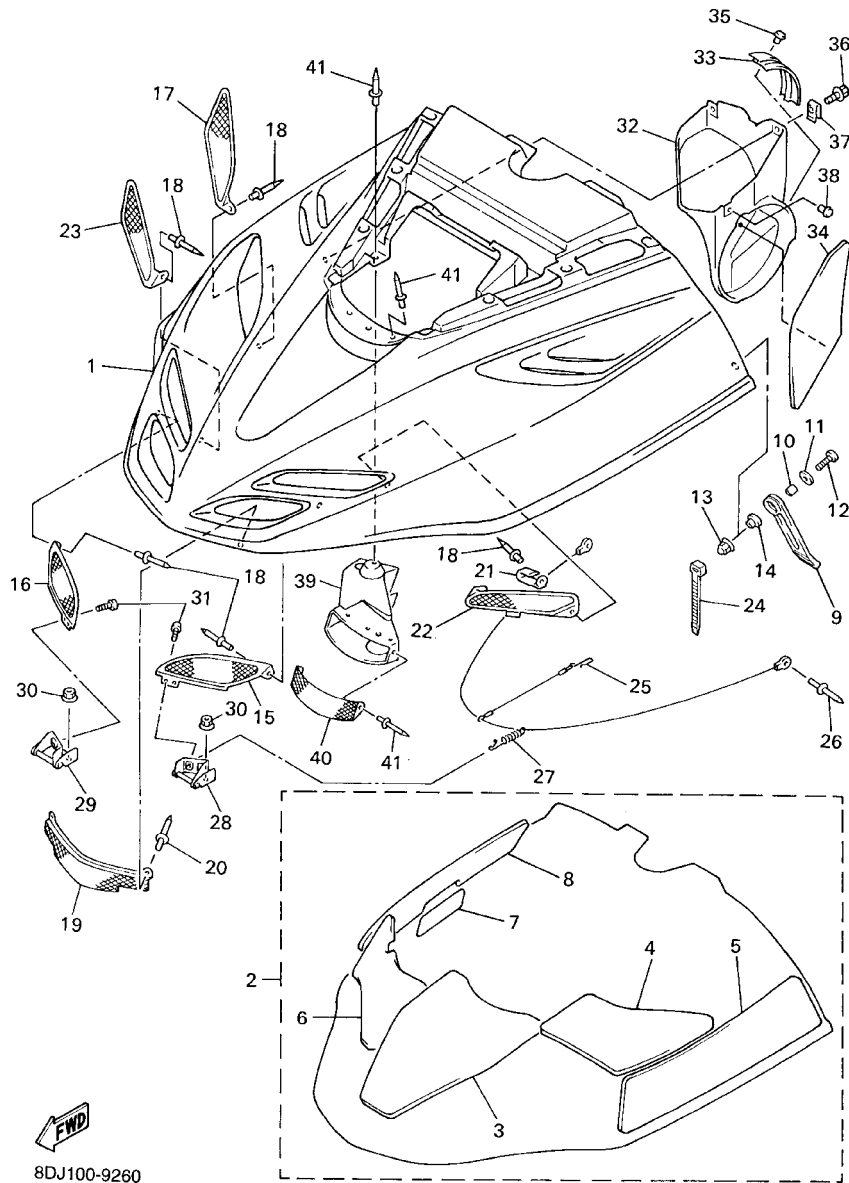
FIG. 26 SHROUD



8DJ100-9260

REF. NO.	PART NO.	DESCRIPTION	EUR				REMARKS
1	8DX-77111-10	SHROUD	1				
2	8DJ-W7726-00	LINING SET	1				
3	8DJ-77272-00	.DAMPER, NOISE 12	1				
4	8DJ-77275-00	.DAMPER, NOISE 15	1				
5	8CR-77276-00	.DAMPER, NOISE 16	1				
6	8DJ-77278-00	.DAMPER, NOISE 18	1				
7	8DJ-7717E-00	.TAPE 1	1				
8	8DJ-2199H-00	.SHIELD, HEAT	1				
9	8V0-77171-00	BODY, LATCH 1	2				
10	90387-06241	COLLAR	2				
11	90201-06557	WASHER, PLATE	2				
12	90154-06078	SCREW, BINDING	2				
13	90176-06055	NUT, CROWN	2				
14	90387-062M9	COLLAR	2				
15	8CR-77131-00	LOUVER 1	1				
16	8CR-77132-00	LOUVER 2	1				
17	8DJ-77133-00	LOUVER 3	1				
18	90267-48182	RIVET, BLIND	8				
19	8CR-77134-00	LOUVER 4	1				
20	90267-48059	RIVET, BLIND	2				
21	90465-08368	CLAMP	2				
22	8DJ-77441-00	LOUVER 1	1				
23	8DJ-77442-00	LOUVER 2	1				
24	90464-13077	CLAMP	1				
25	8DJ-77118-00	STOPPER, SHROUD	1				
26	90267-48141	RIVET, BLIND	2				
27	89A-77159-00	CLAMP, ROD	1				

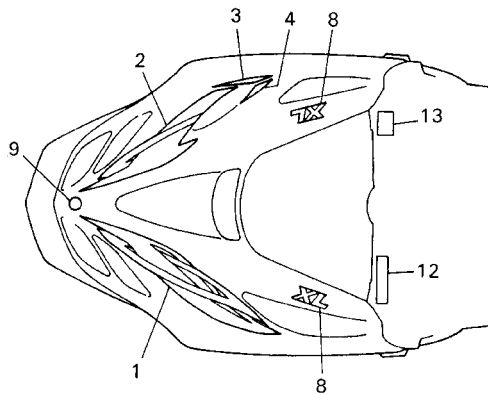
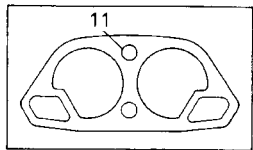
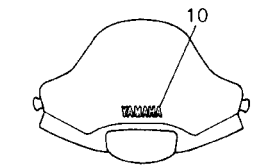
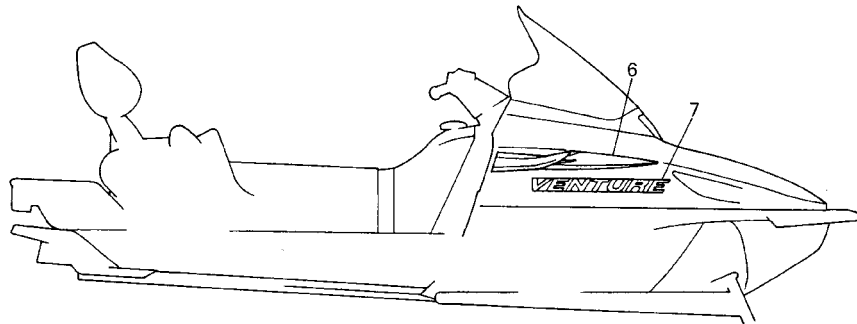
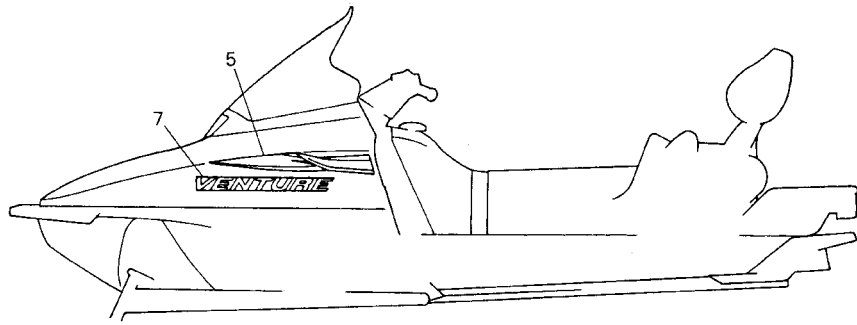
FIG. 26 SHROUD



8DJ100-9260

REF. NO.	PART NO.	DESCRIPTION	EUR				REMARKS
28	8CR-77140-00	HINGE ASSY	1				
29	8CR-7714A-00	HINGE ASSY 2	1				
30	95707-06500	NUT, FLANGE	4				
31	98907-06014	SCREW, BIND	4				
32	8DJ-77194-00	DUCT	1				
33	8DJ-77515-00	BUSH, RUBBER 1	1				
34	8DJ-77273-00	DAMPER, NOISE 13	1				
35	90269-05039	RIVET	3				
36	95807-06016	BOLT, FLANGE	2				
37	90183-06053	NUT, SPRING	2				
38	90269-07076	RIVET	2				
39	8CR-77194-00	DUCT	1				
40	8CR-77109-00	LOUVER 5	1				
41	90267-48182	RIVET, BLIND	6				

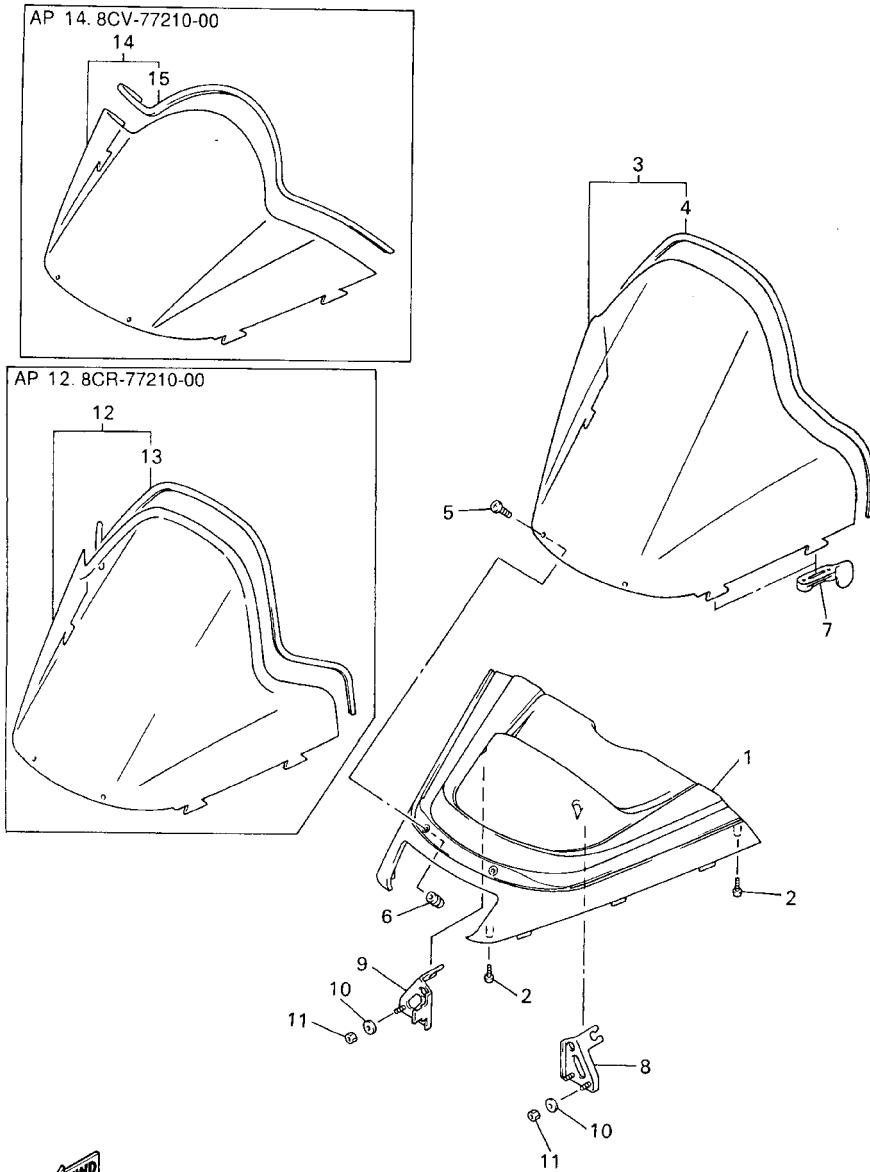
FIG. 27 EMBLEM



8DX3100-1270

REF. NO.	PART NO.	DESCRIPTION	EUR					REMARKS
1	8DX-77355-10	EMBLEM 5	1					
2	8DX-77356-10	EMBLEM 6	1					
3	8DX-77357-10	EMBLEM 7	1					
4	8DX-77358-00	EMBLEM 8	1					
5	8DX-77353-10	EMBLEM 3	1					
6	8DX-77354-10	EMBLEM 4	1					
7	8CY-77141-30	EMBLEM 1	2					
8	8DX-77142-10	EMBLEM 2	2					
9	8AC-2414B-01	EMBLEM	1					
10	99246-00100	EMBLEM, YAMAHA	1					
11	4XV-2341B-00	EMBLEM	1					
12	8DM-77761-S0	LABEL, WARNING 1	1					
13	8DM-77763-S0	LABEL, WARNING 3	1					

FIG. 28 WINDSHIELD

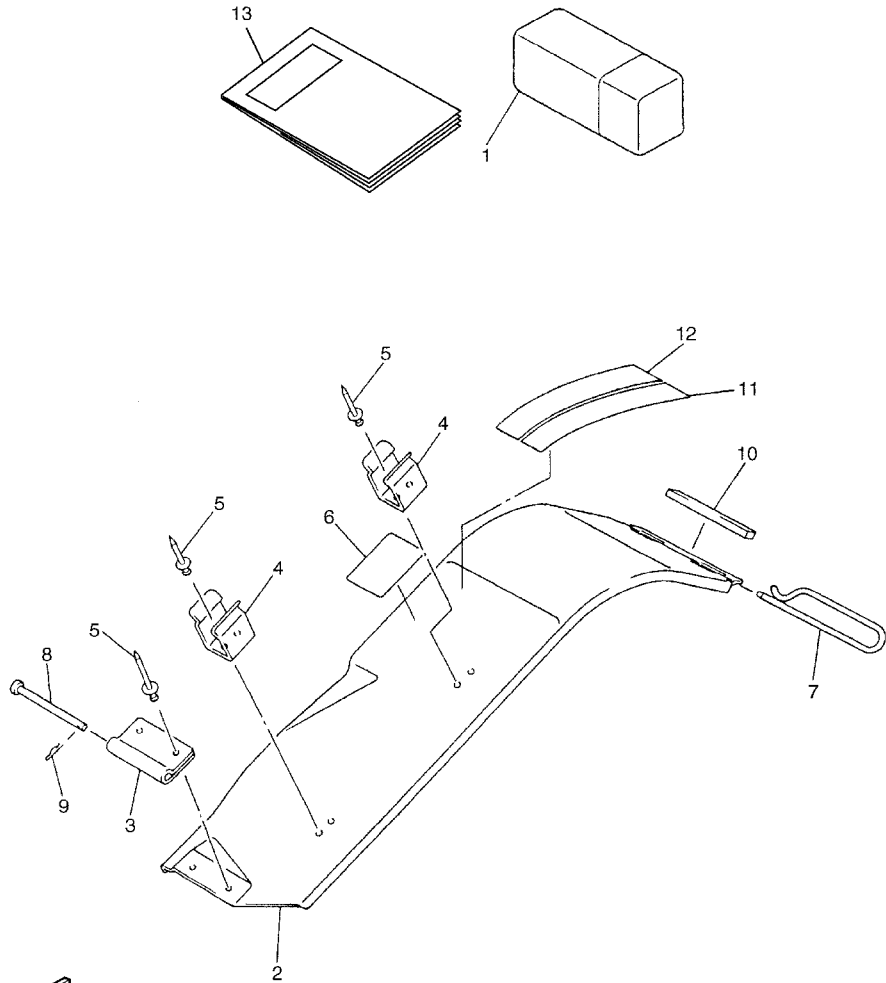


REF. NO.	PART NO.	DESCRIPTION	EUR				REMARKS
1	8CR-77251-01	COVER, HEADLIGHT	1				
2	97707-50016	SCREW, TAPPING	8				
3	8DM-77210-00	WINDSHIELD COMP.	1				
4	8DM-77213-00	.TRIM, UPPER	1				
5	90150-05024	SCREW, ROUND HEAD	2				
6	90179-05523	NUT	2				
7	82H-77223-00	FASTNER	4				
8	8CR-77125-00	STAY 1	1				
9	8CR-77126-00	STAY 2	1				
10	90201-06557	WASHER, PLATE	4				
11	95307-06600	NUT	4				
12	8CR-77210-00	WINDSHIELD COMP.	1				AP
13	8CR-77213-00	.TRIM, UPPER	1				AP
14	8CV-77210-00	WINDSHIELD COMP.	1				AP
15	8CV-77213-00	.TRIM, UPPER	1				AP

FWD
8DX3100-1280

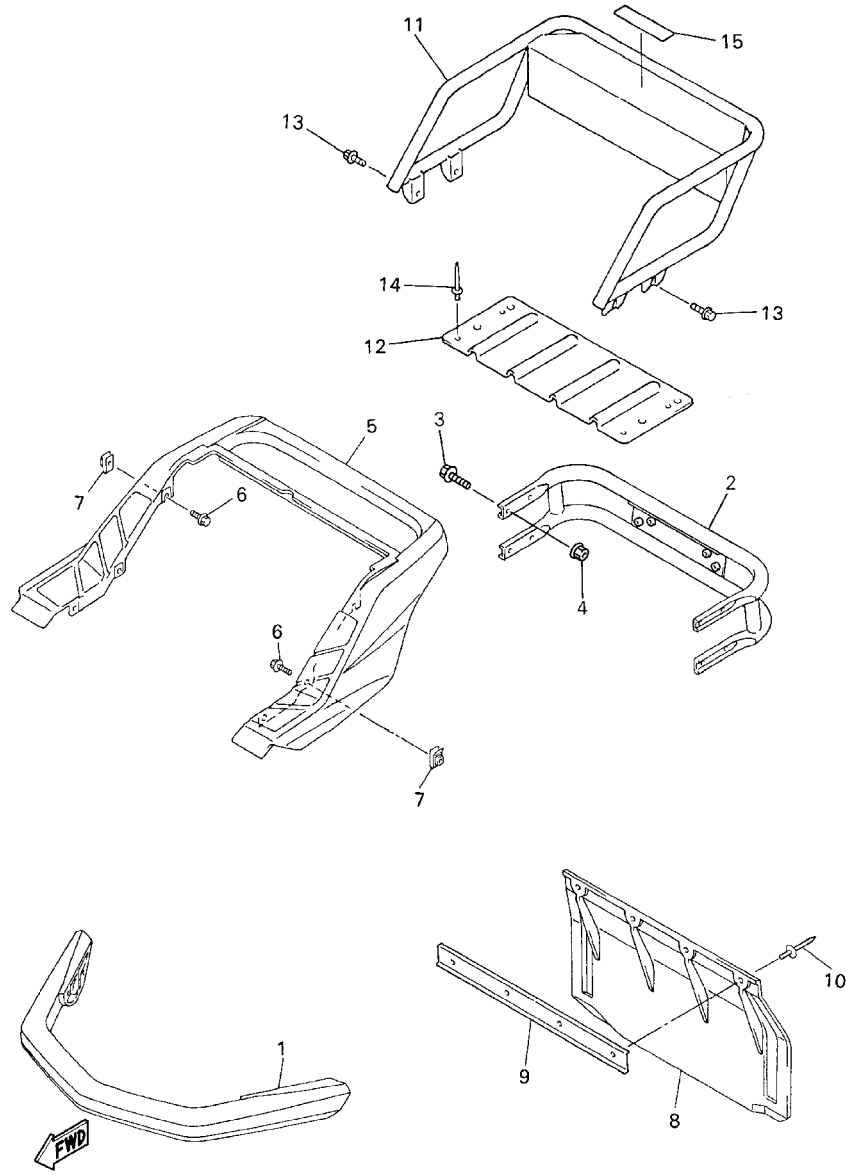
FIG. 30 GUARD, LUGGAGE BOX

REF. NO.	PART NO.	DESCRIPTION	EUR				REMARKS
1	85L-28100-00	TOOL KIT	1				
2	8DJ-77311-00	GUARD, DRIVE	1				
3	8CR-77315-00	BRACKET 1	1				
4	8CR-77338-00	STAY, BELT	2				
5	90267-48177	RIVET, BLIND	6				
6	86D-77762-00	LABEL, WARNING 2	1				
7	8CR-77384-00	PIN	1				
8	91701-06082	PIN, CLEVIS	1				
9	90468-18121	CLIP	1				
10	8CR-77319-00	DAMPER 1	1				
11	8CW-47578-00	LABEL 1	1				
12	8DJ-1417E-00	LABEL, CAUTION	1				
13	8DX-28199-S4	MANUAL, OWNER'S	1				



8DX5300-B300

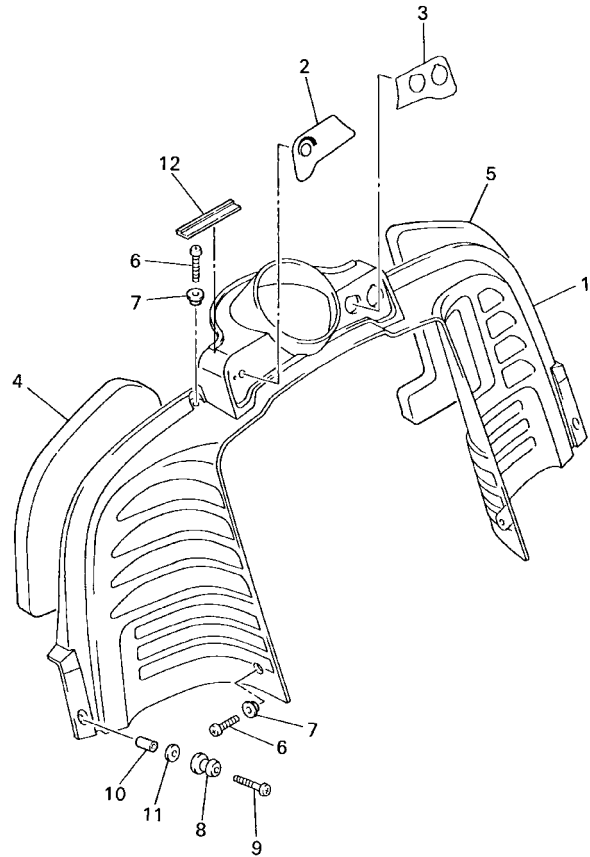
FIG. 31 BUMPER



8DX4300-2310

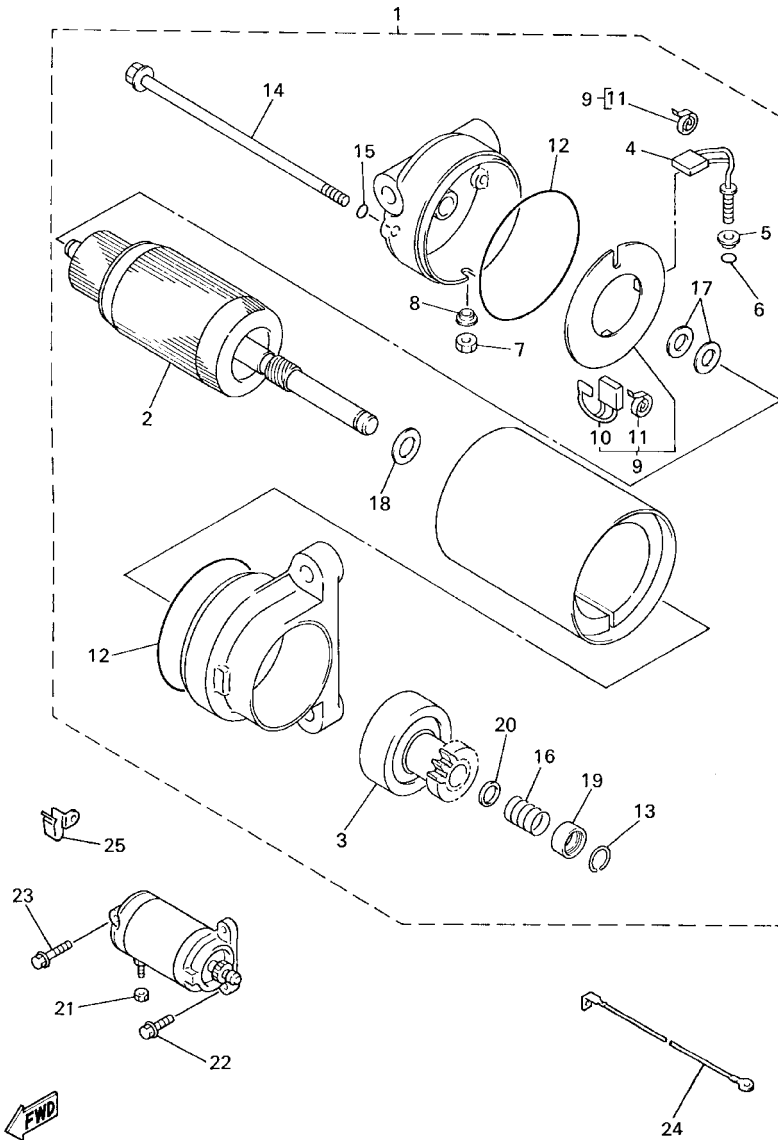
REF. NO.	PART NO.	DESCRIPTION	EUR				REMARKS
1	8CR-77511-00	BUMPER, FRONT 1	1				
2	8EB-77541-00	BUMPER, REAR 1	1				
3	95027-08016	BOLT, FLANGE	4				
4	95707-08500	NUT, FLANGE	4				
5	8CW-77542-00	BUMPER, REAR 2	1				
6	95807-06016	BOLT, FLANGE	6				
7	90183-06053	NUT, SPRING	6				
8	8DM-77595-00	FLAP	1				
9	8DJ-77556-00	PROTECTOR 6	1				
10	90267-47200	RIVET, BLIND	4				
11	8CW-77540-00	REAR BUMPER COMP.	1				
12	8CW-77554-00	PROTECTOR 4	1				
13	90105-08485	BOLT, FLANGE	4				
14	90267-47187	RIVET, BLIND	4				
15	89Y-24897-00	EMBLEM	1				

FIG. 32 INSTRUMENT PANEL



REF. NO.	PART NO.	DESCRIPTION	EUR					REMARKS
1	8CR-77711-01	PANEL, INSTRUMENT	1					
2	8CR-77741-10	INDICATOR 1	1					
3	8CW-77742-00	INDICATOR 2	1					
4	8DJ-77276-00	DAMPER, NOISE 16	1					
5	8DJ-77277-00	DAMPER, NOISE 17	1					
6	98907-06012	SCREW, BIND	4					
7	90387-0611K	COLLAR	4					
8	8M6-77175-00	HOLDER, LATCH	2					
9	90154-06077	SCREW, BINDING	2					
10	90387-064W3	COLLAR	2					
11	90201-06071	WASHER, PLATE	2					
12	8CR-2196T-00	TRIM 1	2					


8DX100-9320



8DX100-9340

FIG. 34 STARTING MOTOR

REF. NO.	PART NO.	DESCRIPTION	EUR				REMARKS
1	8CW-81800-01	STARTING MOTOR ASSY	1				
2	8CW-81850-00	.ARMATURE ASSY	1				
3	8CW-81832-00	.CLUTCH, OVER RUN	1				
4	8CW-81811-00	.BRUSH 1	1				
5	73A-81829-50	.GROMMET	1				
6	73A-81847-00	.O-RING	1				
7	4H7-81872-00	.NUT, SPECIAL	1				
8	73A-81829-00	.GROMMET	1				
9	8CW-81840-00	.BRUSH HOLDER ASSY	1				
10	8CW-81812-00	..BRUSH 2	1				
11	8L6-81813-50	..SPRING, BRUSH	2				
12	4H7-81844-50	.O-RING	2				
13	8L6-81834-50	.RING	1				
14	3GD-81826-00	.BOLT, THROUGH	2				
15	8L6-81847-50	.O-RING	2				
16	8CW-81836-00	.SPRING, LEVER	1				
17	4H7-81843-50	.WASHER 1	2				
18	8L6-81835-50	.WASHER 2	1				
19	8CW-81833-00	.RING, STOP	1				
20	8BB-8185A-00	.WASHER, PLATE	1				
21	95307-06600	NUT	1				
22	95027-08030	BOLT, FLANGE	2				
23	95027-08080	BOLT, FLANGE	1				
24	8DX-82105-00	WIRE HARNESS	1				
25	90462-10242	CLAMP	1				

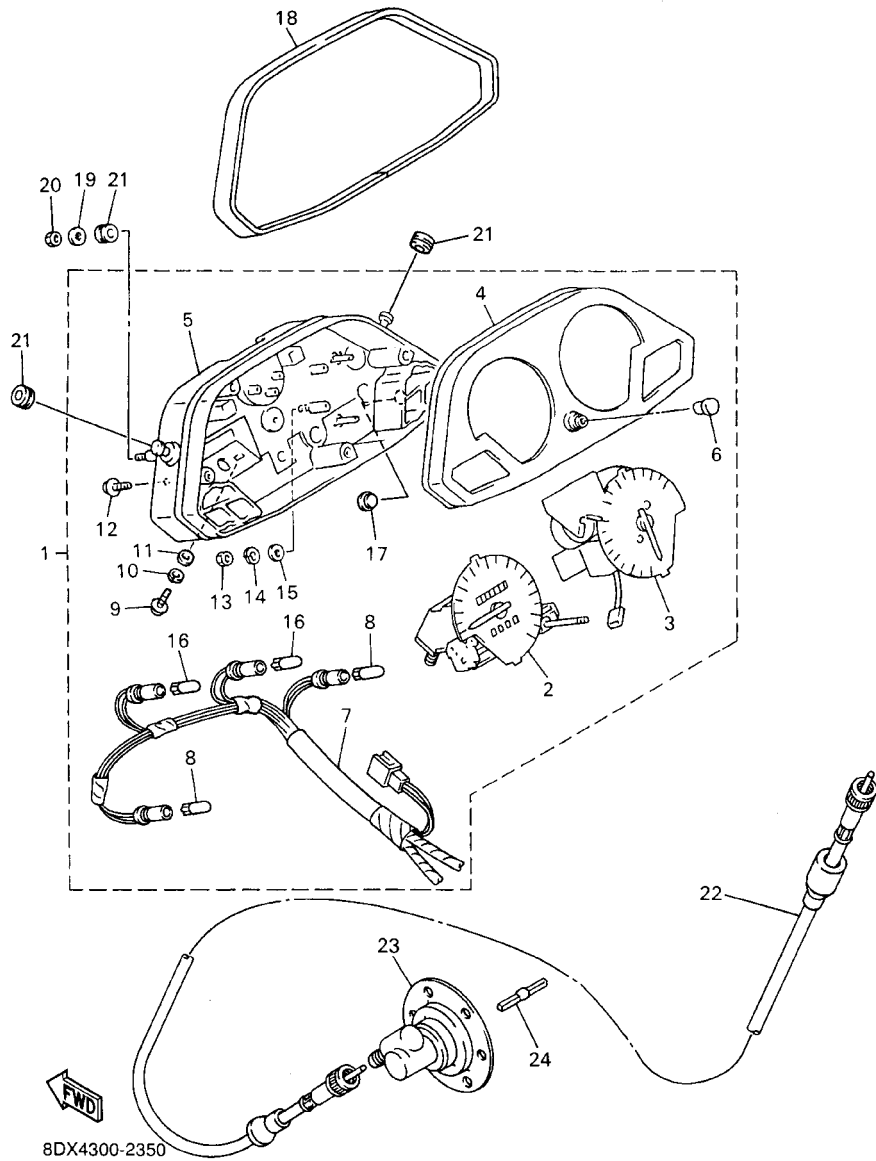
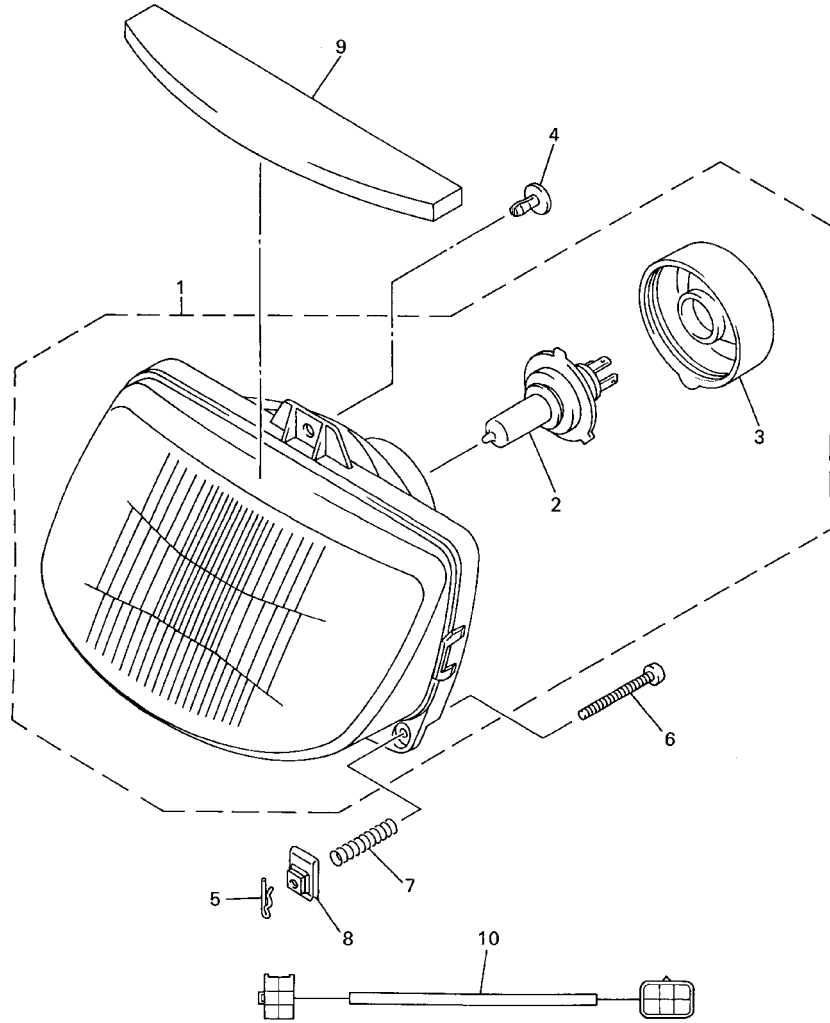


FIG. 35 METER

REF. NO.	PART NO.	DESCRIPTION	EUR				REMARKS
1	8DX-83500-20	SPEEDOMETER ASSY (KM/H)	1				
2	8CR-83580-20	.SPEEDOMETER ASSY (KM/H)	1				
3	8CR-83540-40	.TACHOMETER ASSY	1				
4	8DX-83559-40	.COVER, METER	1				
5	8DJ-8353H-40	.CASE, UNDER	1				
6	29L-83578-00	.KNOB, TRIP METER	1				
7	8DJ-83509-40	.SOCKET CORD ASSY	1				
8	4R0-83517-00	.BULB (12V-3.4W T10)	2				
9	98517-04012	.SCREW, PAN HEAD	2				
10	92907-04100	.WASHER, SPRING	2				
11	92907-04600	.WASHER	2				
12	97707-40014	.SCREW, TAPPING	4				
13	95307-04600	.NUT	2				
14	92907-04100	.WASHER, SPRING	2				
15	92907-04600	.WASHER	2				
16	1YT-83517-00	.BULB (12V-1.7W T10)	2				
17	4BE-8352K-00	.PLUG, BLIND	2				
18	8CR-77225-00	TRIM 5	1				
19	90201-06380	WASHER, PLATE	2				
20	95307-06600	NUT	2				
21	5J0-83513-00	DAMPER	4				
22	8CR-83550-10	SPEEDOMETER CABLE ASSY	1				
23	8DP-47700-00	METER GEAR HOUSING COMP.	1				
24	8K4-47715-00	JOINT	1				

FIG. 36 HEADLIGHT

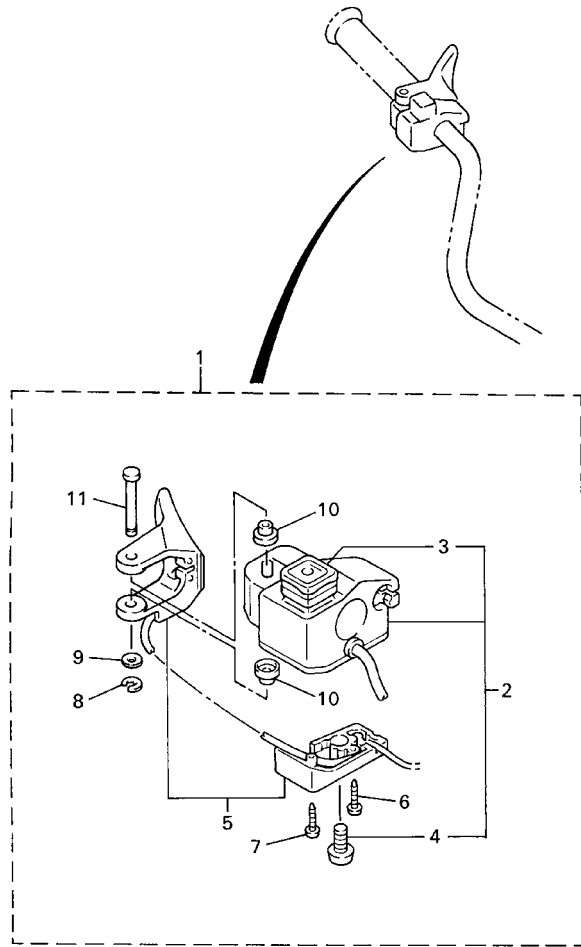


REF. NO.	PART NO.	DESCRIPTION	EUR				REMARKS
1	8CR-84310-00	HEADLIGHT UNIT ASSY	1				
2	8G9-84314-00	.BULB (12V-60/55W)	1				(H4)HALOGEN
3	8DN-84397-00	.COVER, SOCKET	1				
4	90269-06046	RIVET	1				
5	8K4-84374-00	CLIP	2				
6	8A5-84331-00	SCREW, RIM ADJUSTING	2				
7	90501-124L0	SPRING, COMPRESSION	2				
8	90183-05024	NUT, SPRING	2				
9	8CR-84366-00	DAMPER, HEADLIGHT 1	1				
10	8DJ-84359-00	CORD, HEADLIGHT	1				



8DJ100-9340

FIG. 38 HANDLE SWITCH. LEVER

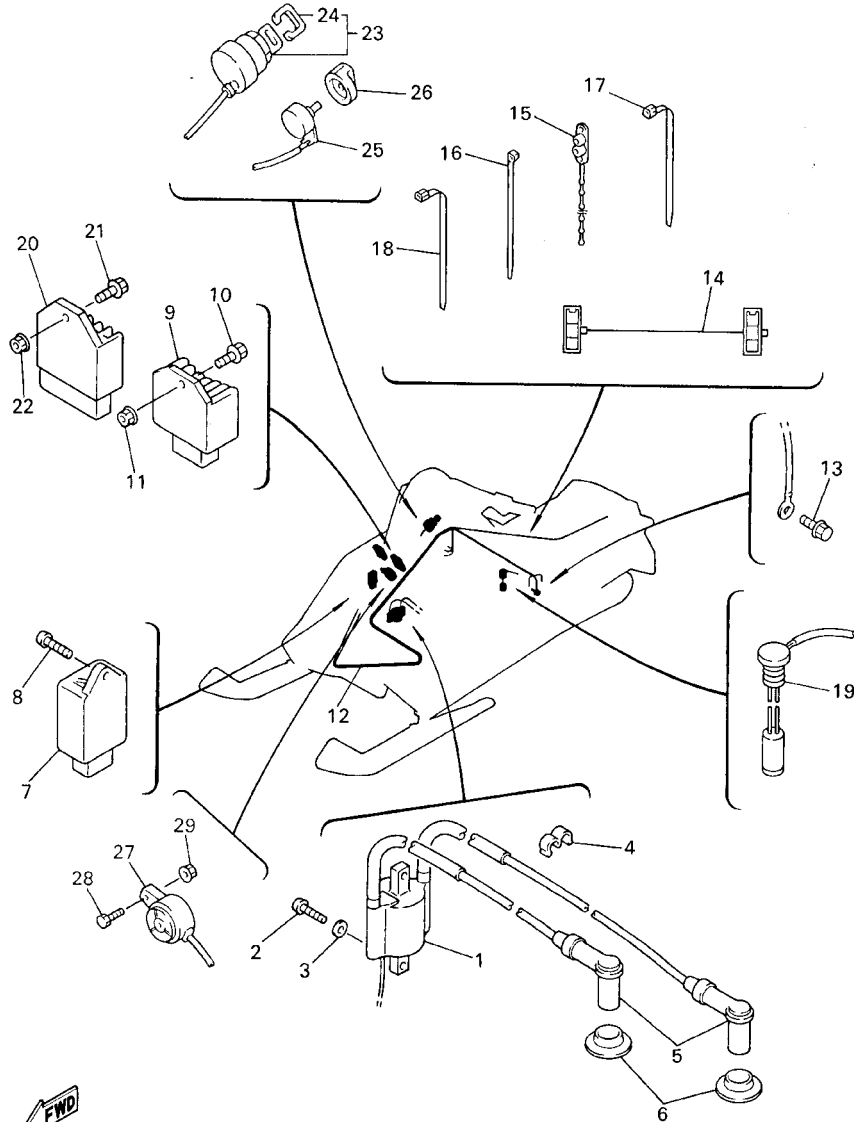


REF. NO.	PART NO.	DESCRIPTION	EUR				REMARKS
1	8BK-82720-00	LEVER HOLDER ASSY (RIGHT)	1				
2	8AU-83963-00	.SWITCH, HANDLE 3 (RIGHT)	1				
3	8AU-82575-09	..ENGINE STOP SWITCH ASSY	1				WIRE/L=240MM
4	8R6-83928-00	..SCREW	1				
5	8BK-82970-00	.THUMB WARMER ASSY	1				
6	97706-30620	.SCREW, TAPPING	1				
7	97706-30630	.SCREW, TAPPING	1				
8	99001-04600	.CIRCLIP	1				
9	85G-83663-00	.WASHER, SPECIAL	1				
10	85G-83956-00	.CAP 1	2				
11	88T-8399F-00	.SHAFT	1				



8DJ100-9360

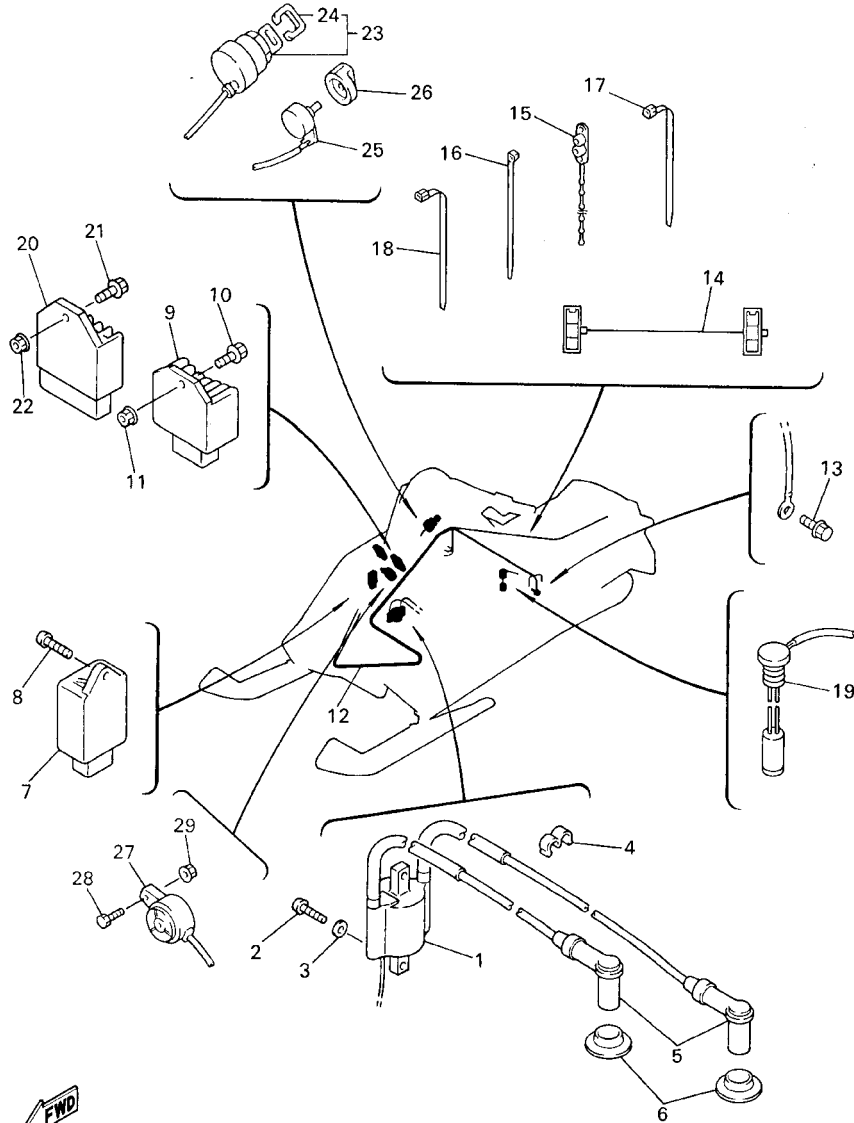
FIG. 39 ELECTRICAL 1



8DX3100-1390

REF. NO.	PART NO.	DESCRIPTION	EUR				REMARKS
1	8DJ-82310-00	IGNITION COIL ASSY	1				
2	97880-06020	SCREW, PAN HEAD	2				
3	92990-06600	WASHER, PLATE	2				
4	90464-09M31	CLAMP	1				
5	8K1-82370-20	PLUG CAP ASSY (WITH RESISTOR)	2				
6	8V0-82372-00	SEAL, PLUG CAP	2				
7	8DJ-85540-00	C.D.I. UNIT ASSY	1				
8	97780-60125	SCREW, TAPPING	1				
9	8CR-81960-00	RECTIFIER & REGULATOR ASSY	1				
10	95807-06016	BOLT, FLANGE	1				
11	95707-06500	NUT, FLANGE	1				
12	8DX-82590-00	WIRE HARNESS ASSY	1				
13	95807-06010	BOLT, FLANGE	1				
14	8CR-8471G-00	WIRE, LEAD	1				
15	90464-20031	CLAMP	1				
16	90464-15195	CLAMP	3				
17	90464-13073	CLAMP	7				
18	90464-13077	CLAMP	3				
19	8CR-85720-01	OIL LEVEL GAUGE ASSY	1				
20	8AB-81910-00	VOLTAGE REGULATOR ASSY	1				
21	95807-06016	BOLT, FLANGE	1				
22	95707-06500	NUT, FLANGE	1				
23	8AB-82510-00	MAIN SWITCH ASSY	1				
24	526-82579-00	.CAP, KEY	2				
25	8CR-87283-00	RESISTOR, VARIABLE	1				
26	8AB-87284-00	KNOB, VARIABLE RESISTOR	1				
27	8CW-83383-00	BUZZER	1				

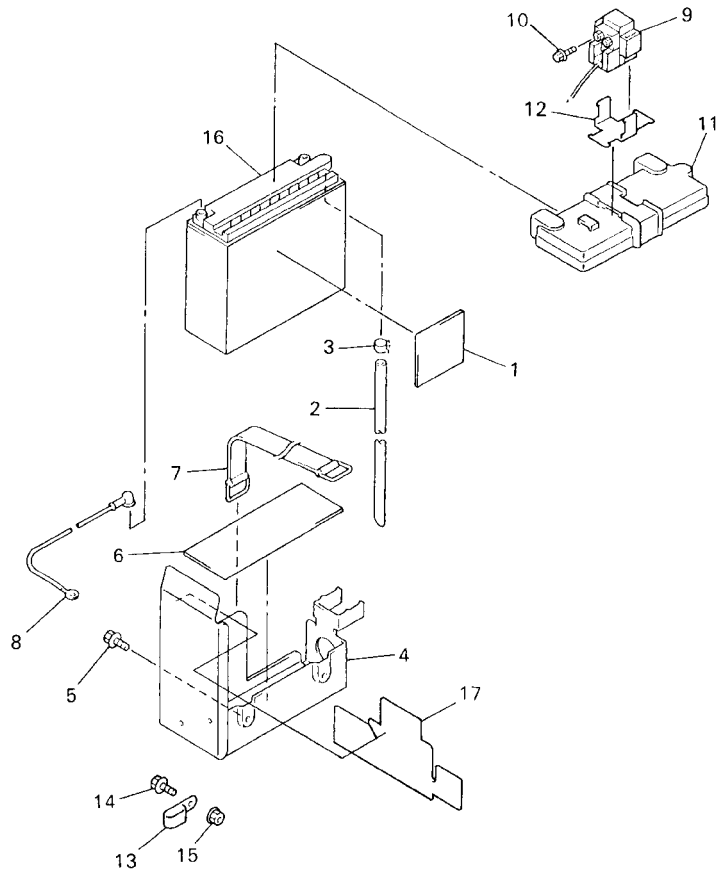
FIG. 39 ELECTRICAL 1



8DX3100-1390

REF. NO.	PART NO.	DESCRIPTION	EUR				REMARKS
28	97007-05020	BOLT	1				
29	95707-05500	NUT, FLANGE	1				

FIG. 40 ELECTRICAL 2



REF. NO.	PART NO.	DESCRIPTION	EUR				REMARKS
1	8CW-82176-00	DAMPER	1				
2	8CW-8235W-01	PIPE	1				
3	90467-08092	CLIP	1				
4	8DX-2199G-00	BRACKET, BATTERY	1				
5	95807-06014	BOLT, FLANGE	2				
6	84N-82122-00	SEAT, BATTERY	1				
7	8CY-82131-00	BAND, BATTERY	1				
8	8DY-82115-00	WIRE, PLUS LEAD	1				
9	3EL-81940-00	STARTER RELAY ASSY	1				
10	95027-06008	BOLT, FLANGE	2				
11	8DX-82129-00	COVER, BATTERY	1				
12	8CY-81952-00	HOLDER, RELAY	1				
13	90461-08113	CLAMP	1				
14	95807-06014	BOLT, FLANGE	1				
15	95607-06200	NUT, SELF U-FLANGE	1				
16	5E3-82110-81	BATTERY ASSY (YUASA YB16AL-A2)	1				
17	8DX-2199H-00	SHIELD, HEAT	1				



8DX2100-0400

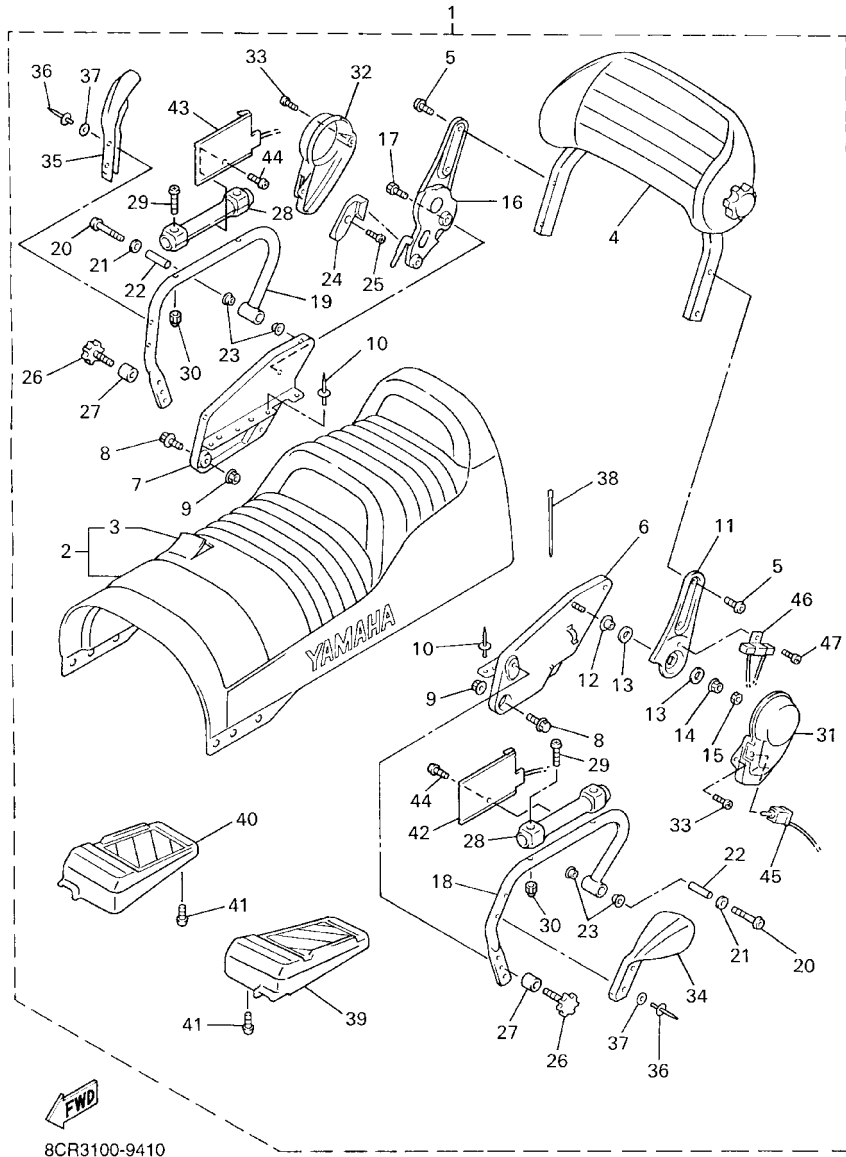


FIG. 42 ALTERNATE (BODY/RIG)

REF. NO.	PART NO.	DESCRIPTION	EUR				REMARKS
1	8CR-W247R-10	SEMI-DOUBLE SEAT ASSY (DX)	1				AP
2	8CW-24730-20	.DOUBLE SEAT ASSY	1				
3	8CW-2470F-20	..SEAT COVER COMP.	1				
4	8DM-24790-00	.SEAT BACK ASSY	1				
5	92017-10016	.BOLT	4				
6	8DM-2474F-00	.STAY, FRONT 1	1				
7	8DM-2474G-00	.STAY, FRONT 2	1				
8	95807-08014	.BOLT, FLANGE	4				
9	95707-08500	.NUT, FLANGE	4				
10	90267-47187	.RIVET, BLIND	8				
11	8DM-2477R-00	.ARM 2	1				
12	90387-083Y8	.COLLAR	1				
13	90202-12236	.WASHER, PLATE	2				
14	95707-08500	.NUT, FLANGE	1				
15	95307-08700	.NUT	1				
16	8DM-24760-00	.SEAT LEVER ASSY	1				
17	97027-10014	.BOLT	2				
18	8DM-2474H-10	.BRACKET, ASSIST GRIP 1	1				
19	8DM-2474J-10	.BRACKET, ASSIST GRIP 2	1				
20	92017-10070	.BOLT	2				
21	90201-10437	.WASHER, PLATE	2				
22	90387-10090	.COLLAR	2				
23	90387-145G7	.COLLAR	4				
24	8DM-2477F-00	.LEVER, SEAT	1				
25	97707-40008	.SCREW, TAPPING	1				
26	8CW-2479H-00	.BODY, SEAT LOCK	2				
27	8CW-24737-00	.DAMPER, SEAT	2				

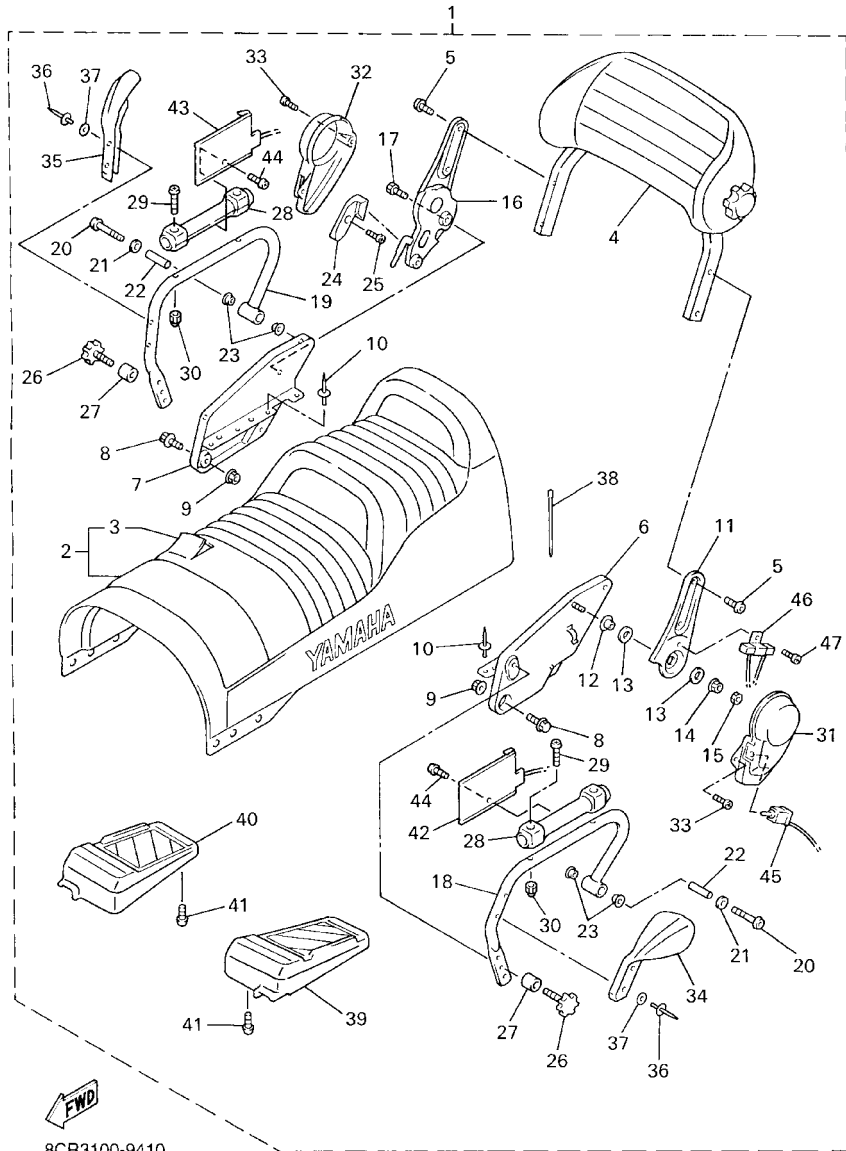
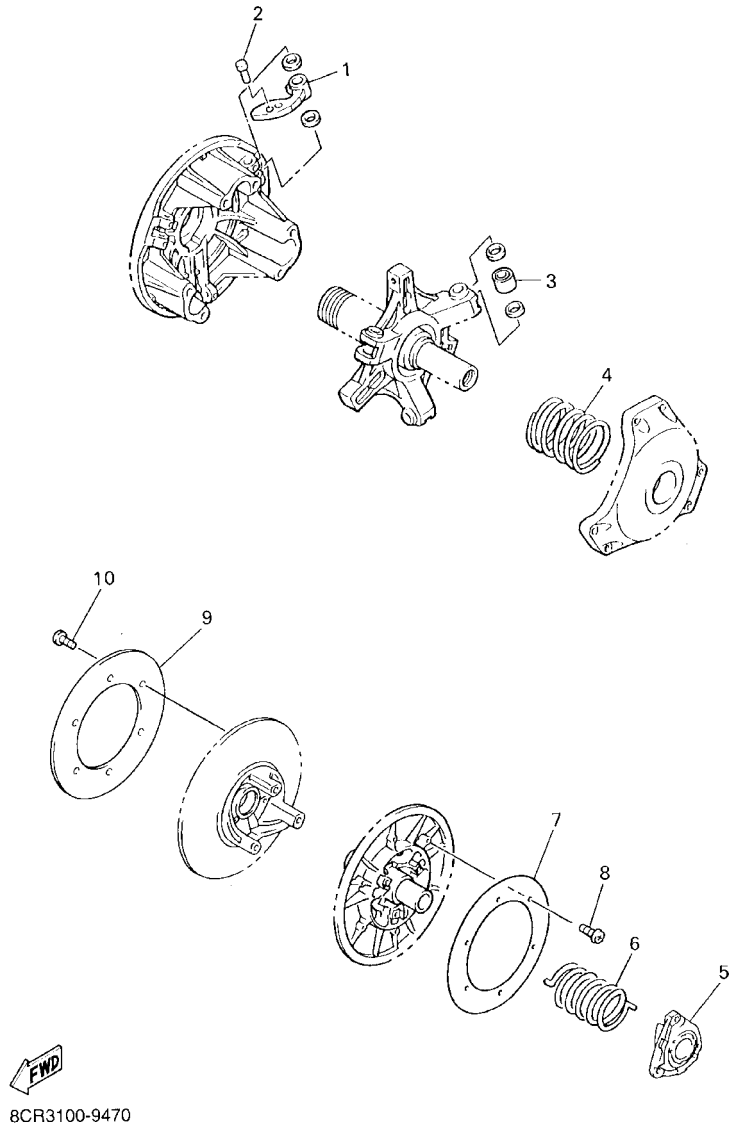


FIG. 42 ALTERNATE (BODY/RIG)

REF. NO.	PART NO.	DESCRIPTION	EUR				REMARKS
28	8DM-2474A-00	.ASSIST, GRIP	2				
29	98907-06035	.SCREW, BIND	4				
30	90176-06065	.NUT, CROWN	4				
31	8DM-24796-00	.COVER	1				
32	8DM-2475X-00	.COVER,2	1				
33	97707-40012	.SCREW, TAPPING	4				
34	8DM-2476U-00	.PROTECTOR,1	1				
35	8DM-2476V-00	.PROTECTOR,2	1				
36	90267-48051	.RIVET, BLIND	4				
37	90201-051K1	.WASHER, PLATE	4				
38	90464-13073	.CLAMP	2				
39	8DM-27431-00	.FOOTREST, REAR 1	1				
40	8DM-27441-00	.FOOTREST, REAR 2	1				
41	97707-50020	.SCREW, TAPPING	8				
42	8DM-2474B-00	.ASSIST GRIP WARMER ASSY 1	1				
43	8DM-2474C-00	.ASSIST GRIP WARMER ASSY 2	1				
44	97707-40016	.SCREW, TAPPING	2				
45	8DM-82917-01	.SWITCH	1				
46	8DM-85370-00	.RESISTOR ASSY	1				
47	90154-06036	.SCREW, BINDING	1				

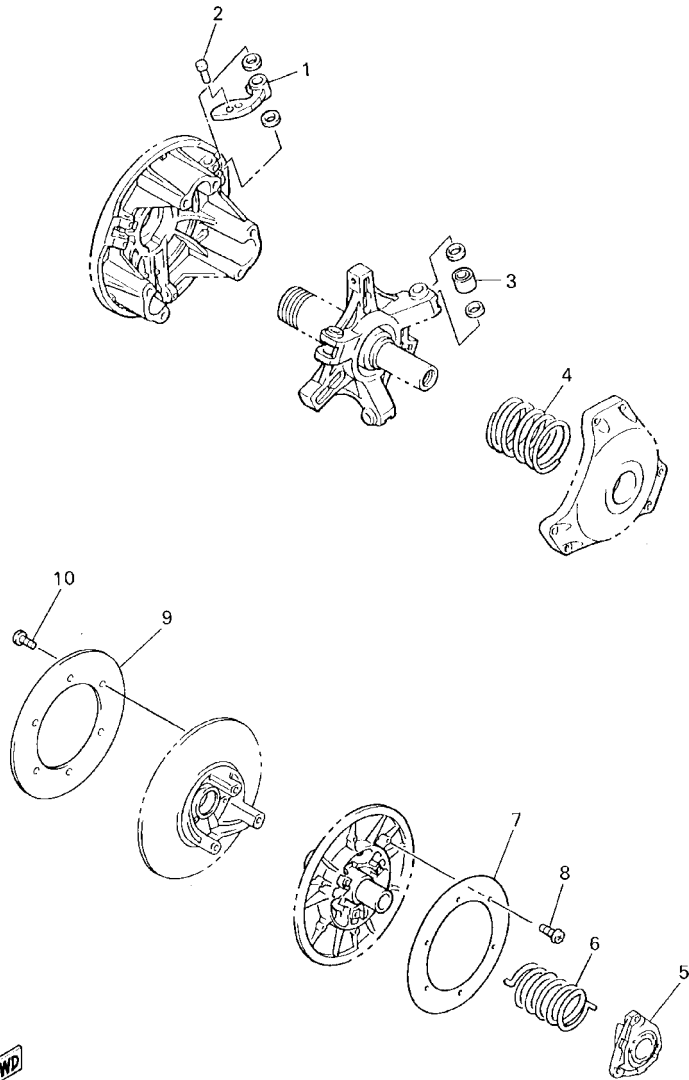
FIG. 44 ALTERNATE (DRIVE SETTING 1)



REF. NO.	PART NO.	DESCRIPTION	EUR				REMARKS
1	8DF-17605-10	WEIGHT COMP	3				UR
	8CR-17605-10	WEIGHT COMP	3				UR
	8CH-17605-10	WEIGHT COMP	3				UR
	8DJ-17605-00	WEIGHT COMP	3				UR
	8DG-17605-00	WEIGHT COMP	3				UR
	8DN-17605-20	WEIGHT COMP	3				UR
2	90261-06015	RIVET, COUNTERSUNK (ST10.3MM)	3				UR
	90261-06017	RIVET, COUNTERSUNK (ST11.3MM)	3				UR
	90261-06019	RIVET, COUNTERSUNK (ST13.3MM)	3				UR
	90261-06028	RIVET, COUNTERSUNK (AL10.3MM)	3				UR
	90261-06033	RIVET, COUNTERSUNK (ST17.2MM)	3				UR
	90261-06034	RIVET, COUNTERSUNK (ST13.9MM)	3				UR
3	8CR-17624-00	ROLLER, COMP	3				UR
	8CR-17624-10	ROLLER, COMP	3				UR
	8CR-17624-20	ROLLER, COMP	3				UR
	8CR-17624-30	ROLLER, COMP	3				UR
4	90501-487G8	SPRING, COMPRESSION	1				UR (GOLD)
	90501-507G7	SPRING, COMPRESSION	1				UR (R-GR-R)
	90501-526G4	SPRING, COMPRESSION	1				UR (BL-GO-BL)
	90501-557G6	SPRING, COMPRESSION	1				UR (WH-GO-WH)
	90501-557G5	SPRING, COMPRESSION	1				UR (Y-GO-Y)
	90501-607G4	SPRING, COMPRESSION	1				UR (GR-GO-GR)
	90501-607G3	SPRING, COMPRESSION	1				UR (P-GO-P)
	90501-481J1	SPRING, COMPRESSION	1				UR (SL-BL-SL)
	90501-507G2	SPRING, COMPRESSION	1				UR (GO-BL-GO)
	90501-527G1	SPRING, COMPRESSION	1				UR (R-BL-R)
	90501-556G6	SPRING, COMPRESSION	1				UR (BLUE)

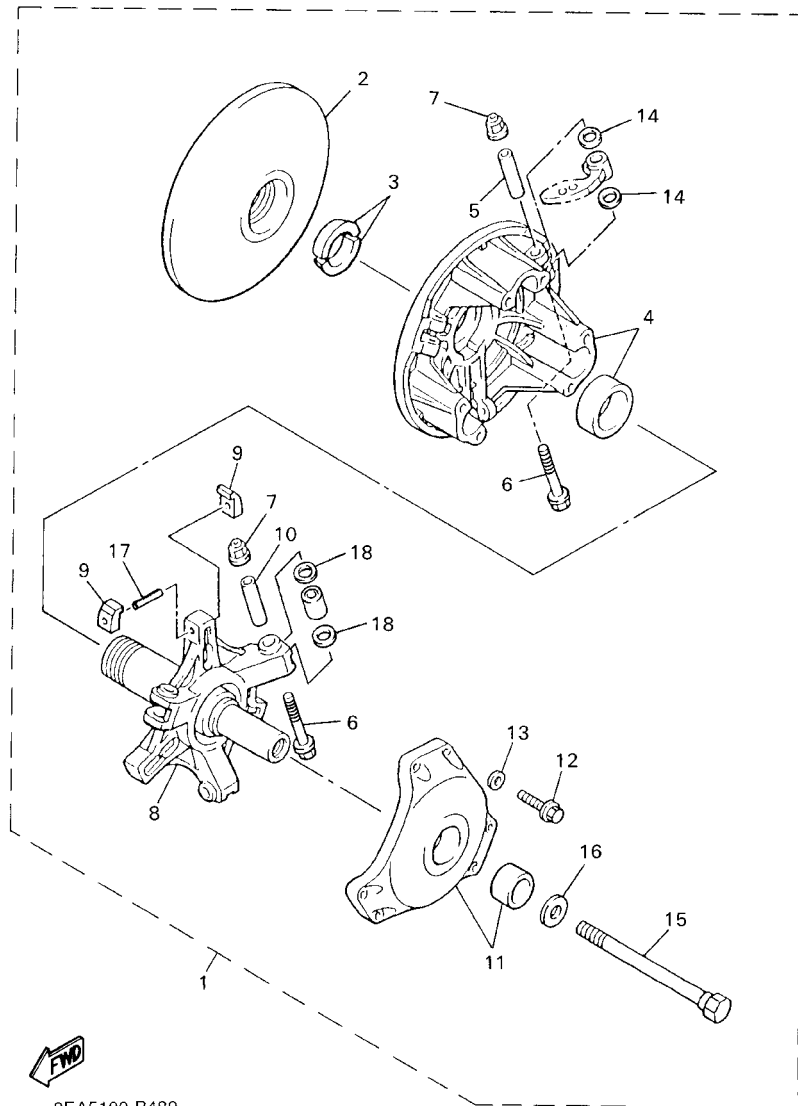
FIG. 44 ALTERNATE (DRIVE SETTING 1)

REF. NO.	PART NO.	DESCRIPTION	EUR				REMARKS
4	90501-556G5	SPRING, COMPRESSION	1				UR (WH-BL-WH)
	90501-556G7	SPRING, COMPRESSION	1				UR (Y-BL-Y)
	90501-607G0	SPRING, COMPRESSION	1				UR (GR-BL-GR)
	90501-606G9	SPRING, COMPRESSION	1				UR (P-BL-P)
	90501-524G5	SPRING, COMPRESSION	1				UR (GO-Y-GO)
	90501-524G4	SPRING, COMPRESSION	1				UR (R-Y-R)
	90501-553G0	SPRING, COMPRESSION	1				UR (BL-Y-BL)
	90501-553G6	SPRING, COMPRESSION	1				UR (WH-Y-WH)
	90501-581J7	SPRING, COMPRESSION	1				UR (YELLOW)
	90501-605G7	SPRING, COMPRESSION	1				UR (GR-Y-GR)
	90501-604G0	SPRING, COMPRESSION	1				UR (P-Y-P)
	90501-521J6	SPRING, COMPRESSION	1				UR (GO-P-GO)
	90501-526J9	SPRING, COMPRESSION	1				UR (R-P-R)
	90501-525J8	SPRING, COMPRESSION	1				UR (BL-P-BL)
	90501-550J8	SPRING, COMPRESSION	1				UR (WH-P-WH)
	90501-582J1	SPRING, COMPRESSION	1				UR (Y-P-Y)
	90501-585J3	SPRING, COMPRESSION	1				UR (GR-P-GR)
	90501-602J0	SPRING, COMPRESSION	1				UR (PINK)
	90501-605J5	SPRING, COMPRESSION	1				UR (OR-P-OR)
	90501-555J9	SPRING, COMPRESSION	1				UR (WH-SL-WH)
	90501-586J0	SPRING, COMPRESSION	1				UR (Y-SL-Y)
5	8BV-17604-11	SEAT SPRING SET	1				UR
	8BV-17604-31	SEAT SPRING SET	1				UR
	8BV-17604-51	SEAT SPRING SET	1				UR
	8BV-17604-71	SEAT SPRING SET	1				UR
	8BV-17604-91	SEAT SPRING SET	1				UR
6	90508-536A9	SPRING, TORSION	1				UR (RED)



8CR3100-9470

FIG. 46 ALTERNATE (DRIVE)



8EA5100-B480

REF. NO.	PART NO.	DESCRIPTION	EUR				REMARKS
1	8CJ-W176G-00	CLUTCH REPAIR KIT	1				AP
2	8CR-17611-01	.SHEAVE, PRIMARY FIXED	1				
3	8V0-17639-00	.STOPPER	2				
4	8BV-17620-03	.PRIMARY SLIDING SHEAVE COMP.	1				
5	90387-0514T	.COLLAR	3				
6	90105-05644	.BOLT, FLANGE	6				
7	95607-05200	.NUT, U FLANGE	6				
8	8CA-17640-12	.SPIDER COMPLETE	1				
9	8BW-17653-00	.SLIDER	6				
10	90387-0514U	.COLLAR	3				
11	8BV-17630-10	.PRIMARY SHEAVE CAP COMP.	1				
12	97017-06030	.BOLT	6				
13	92907-06600	.WASHER, PLATE	6				
14	90202-08204	.WASHER, PLATE	6				
15	8V0-17647-00	.BOLT (L=156.5MM)	1				
16	92907-16100	.WASHER	1				
17	91609-50032	.PIN, SPRING	3				
18	90202-09227	.WASHER, PLATE	6				

NUMERICAL INDEX

PART NO.	GRID NO.	PART NO.	GRID NO.	PART NO.	GRID NO.	PART NO.	GRID NO.	PART NO.	GRID NO.	PART NO.	GRID NO.
8CR-W0041-00	D-5	8V0-12652-00	B-5	214-14195-00	B-10	8F3-15713-01	B-15	8V0-17647-00	C-3	8CR-21920-00	C-7
8DJ-W0046-00	D-5	8DJ-12658-00	B-6	286-14198-00	B-10	8F3-15714-01	B-15		G-3	8CR-21921-01	C-9
8CR-W0047-00	D-5	8H8-12658-00	B-6	620-14211-00	B-10	8F3-15715-00	B-15	8BW-17653-00	C-2	8CR-21923-02	C-9
8CR-W0048-00	D-5	80L-12658-01	B-5	8V0-14212-00	B-10	8F3-15716-03	B-15		G-3	8CR-21939-00	C-7
8CR-W0057-00	D-5	8DJ-12668-00	B-6	620-14225-00	B-11	8G5-15716-00	B-15	8BV-17656-00	C-4	8CR-2194J-00	C-7
8CJ-W176G-00	G-3	8DJ-12669-00	B-6	3G2-1423A-75	B-11	8V0-15723-00	B-6	8CR-17660-20	C-4	8DJ-21940-07	C-7
8DJ-W2195-01	C-7	8DJ-12678-00	B-6	3G2-1423A-77	B-11	8F3-15734-00	B-15	8CM-17665-00	F-15	8DF-21941-00	C-7
8CW-W2196-02	C-10	8DJ-12679-00	B-6	3G2-1423A-78	B-11	8F3-15739-01	B-15	8BU-17670-10	C-4	8CR-21943-01	C-7
8CR-W247R-10	F-10	8Y0-12679-00	B-5	3G2-1423A-79	B-11	8G5-15739-00	B-15	8CM-17675-00	C-4	8CW-21943-00	C-10
8CR-W2585-00	D-5	8DJ-12682-00	B-9	3G2-1423E-48	B-11	8F3-15741-01	B-15		F-15	8CR-21949-10	C-8
8DF-W2587-40	D-5	8Y0-12687-02	B-6	3G2-1423E-50	B-11	8F3-15751-00	B-15	8CR-17681-10	C-4	8CR-2195E-00	C-8
8CR-W2628-00	E-10	8DJ-12688-00	B-6	3G2-1423E-51	B-11	8F3-15755-00	B-15	89J-17682-00	G-2	8CR-21950-06	C-7
8CR-W4751-01	D-15	8DJ-13100-00	B-7	3G2-1423E-52	B-11	8CR-15758-00	B-15	89J-17682-10	G-2	8DF-21951-00	C-7
8BF-W4753-00	D-15	8DJ-13124-00	B-7	3G2-1423E-53	B-11	8CW-17143-00	E-3	89J-17682-20	G-2	8CR-21953-00	C-7
8DJ-W7726-00	E-6	8DJ-13176-00	B-7	3G2-1423E-54	B-11	8CW-17243-00	E-3	89J-17682-30	G-2	8CR-21959-10	C-8
8CR-00000-51	G-4	89A-13185-00	B-7	3G2-1423E-55	B-11	8CW-17492-00	E-3	89J-17682-80	E-2	8CR-2196A-03	C-8
8DJ-11111-00	B-2	89A-13187-00	B-7	3G2-1423E-56	B-11	8DM-1760A-18	C-3		G-2	8DJ-2196E-02	C-8
J38-11116-00	B-14	8DJ-13555-00	B-8	3G2-1423E-57	B-11	8BV-17604-11	C-4	89J-17682-91	G-2	8CR-2196F-00	C-7
8DJ-11121-00	B-2	86M-13575-00	B-8	3G2-1423E-59	B-11		F-14	8AV-17688-10	C-4	8CR-2196M-00	C-8
8DJ-11181-00	B-2	8DJ-13581-00	B-8	3G2-14231-25	B-11	8BV-17604-31	F-14	8DM-17692-00	E-3	8CR-2196T-00	E-13
8DJ-11311-00	B-2	8DJ-13610-00	B-8	3G2-14231-26	B-11	8BV-17604-51	F-14	82M-17699-00	E-2	8CR-21960-08	C-7
8DJ-11321-00	B-2	3SP-13613-00	B-8	3G2-14231-27	B-11	8BV-17604-71	F-14	8CW-1811A-00	E-4	8CW-21964-02	C-10
88F-11351-01	B-2	8DJ-13616-00	B-8	3G2-14231-29	B-11	8BV-17604-91	F-14	8CW-18112-01	E-4	8CW-21965-02	C-10
8V0-11355-00	B-2	80L-13621-01	B-8	8M6-14261-00	B-10	8CH-17605-10	F-13	26H-18115-00	E-5	8CS-2197C-00	C-10
8DJ-11400-00	B-3	4DA-13625-00	B-8	80L-14264-00	B-11	8CR-17605-10	F-13	88T-18116-01	E-5	8DJ-2197C-00	C-9
89F-11412-01	B-3	8DJ-14100-00	B-10	8X0-14358-00	B-12	8DF-17605-10	F-13	8CW-18152-10	E-4	8CR-21970-08	C-7
8DJ-11422-00	B-3	22F-14117-00	B-11	8DJ-14431-00	B-8	8DG-17605-00	F-13	8CW-18153-00	E-4	8CR-21972-00	C-8
8DJ-11432-00	B-3	8V0-14118-00	B-11	8DJ-14437-00	B-9	8DJ-17605-00	C-2	8CW-18156-00	E-5	8CR-21973-00	C-9
8V0-11442-00	B-3	80L-14122-00	B-10	8DJ-14441-00	B-9		F-13	88T-18157-00	E-5	8CR-21977-00	C-7
8DJ-11515-00	B-3	127-14124-00	B-10	8CR-14452-00	B-9	8DN-17605-20	F-13	8CW-18161-01	E-4	8CR-2198F-00	C-8
8DJ-11603-00	B-3	8M6-14126-00	B-10	8DJ-14453-00	B-8	8CW-1761A-00	E-3	8CL-18174-00	E-4	8CR-2198J-00	C-7
8DJ-11603-10	B-3	3F7-14133-00	B-10	8DJ-14477-00	B-9	8CR-17611-01	C-2	8CW-18197-00	E-4		C-8
8DJ-11603-20	B-3	8X0-14133-00	B-11	8X0-14500-00	B-10		G-3	8CW-18198-00	E-4	8DX-2199G-00	F-8
8DJ-11631-00-A0	B-3	127-14135-00	B-10	80L-14534-00	B-11	8BV-17620-03	C-2	8CW-18511-00	E-3	8DJ-2199H-00	E-6
818-11633-00	B-3	193-14142-70	B-10	80L-14535-00	B-11		G-3	8DJ-21415-00	C-5	8DX-2199H-00	F-8
8DJ-11635-00	B-3	193-14142-75	B-10	8DJ-14610-00	B-13	8CR-17624-00	F-13	8DJ-21416-00	C-5	8DX-21991-01	C-8
8DJ-11636-00	B-3	193-14142-80	B-10	8DJ-14613-00	B-13	8CR-17624-10	F-13	8DJ-21417-00	C-5	8DX-21992-01	C-8
8V0-11651-00	B-3	802-14161-00	B-10	8DJ-14710-00	B-13	8CR-17624-20	C-2	8DJ-21425-00	C-5	8DF-21998-00	C-9
857-11681-00	B-3	8A7-14169-00	B-10	8AB-14714-01	B-13		F-13	8DJ-21427-00	C-5	4XV-2341B-00	E-8
8A7-11685-00	B-3	8DJ-1417E-00	E-11	83R-14728-01	B-13		G-4	8DJ-21486-00	C-5	8CR-23496-00	D-6
8H8-12611-01	B-5	8G8-14171-00	B-10	3F7-14922-00	B-10	8CR-17624-30	F-13	8DJ-21488-00	C-5	8EK-23711-00	C-11
8DJ-12612-00	B-5	239-14172-08	B-12	80L-14932-00	B-11	8BV-17630-10	C-2	8DJ-21751-00	C-6	8DM-23712-00	C-11
8L0-12616-00	B-6	8G8-14174-00	B-10	256-14937-00	B-10		G-3	863-21771-00	C-6	8EK-23731-00	C-11
8H8-12619-01	B-5	8M6-14181-00	B-10	8Y2-14941-3D	B-12	8V0-17639-00	C-2	8CR-2191A-02	C-7	8CR-23741-10	C-12
88F-12621-02	B-5	8X0-14184-00	B-10	584-14992-00	B-10		G-3	8CR-21912-01	C-8	8CR-23743-10	C-11
8K4-12628-00	B-6	8M6-14185-00	B-10	8DJ-15100-00	B-14	8CA-17640-12	C-2	8CW-21916-02	C-10	8EK-23751-00	C-11
8Y0-12637-02	B-6	8M6-14186-00	B-10	8V0-15710-00	B-15		G-3	8CR-21917-00	C-7	8DX-2376A-10	C-11
8DJ-12651-00	B-5	8DJ-14190-15	B-10	8V0-15711-00	B-15	89L-17641-01	C-2	8CR-21918-00	C-7	8CR-2376B-00	C-11

NUMERICAL INDEX

PART NO.	GRID NO.	PART NO.	GRID NO.	PART NO.	GRID NO.	PART NO.	GRID NO.	PART NO.	GRID NO.	PART NO.	GRID NO.
8EK-23766-00	C-11	8CW-2470F-20	D-4	8CR-25924-00	D-5	8K2-47479-01	D-14	8CR-7717J-00	C-10	8CR-77512-00	C-8
8DF-23779-00	C-12		F-10	8CR-25926-00	D-5	8DX-47480-00	D-12	8DJ-7717J-00	C-10	8DJ-77515-00	E-7
8CR-23788-11	C-8	81K-2471F-00	C-9	88T-26240-00	D-8	8DX-47481-10	D-11	8V0-77171-00	E-6	8CW-77540-00	E-12
8DM-23803-00	C-11	8CT-24710-30	F-12	4SV-26280-00	E-10	82M-47485-02	D-12	8M6-77175-00	E-13	8EB-77541-00	E-12
8CR-23811-00	C-14	8CW-24730-20	D-4	4SV-26290-00	E-10		D-14	8CR-77194-00	E-7	8CW-77542-00	E-12
8DF-23812-00	C-14		F-10	8DJ-26311-01	D-8	8AB-47486-00	D-12	8DJ-77194-00	E-7	8CW-77554-00	E-12
8EG-23813-00	C-14	8CR-24734-00	D-4	8DJ-26320-01	B-7	8CR-47488-00	D-12	8CR-77210-00	E-9	8DJ-77556-00	E-12
8G5-23814-00	C-14	8CW-24737-00	D-4	8U9-26325-00	D-8	8CR-47489-00	D-12	8CV-77210-00	E-9	8DM-77595-00	E-12
8K1-23814-00	C-14		F-10	8DJ-26330-01	D-8	8CW-47494-01	D-13	8DM-77210-00	E-9	8CR-77711-01	E-13
8CY-23815-10	D-2	8CW-2474A-00	D-4	8G8-26333-00	D-8	8CR-47495-00	D-11	8CR-77213-00	E-9	8CR-77741-10	E-13
8DM-2382E-00	C-12	8DM-2474A-00	F-11	8CR-26351-03	D-6	8L8-47520-02	D-10	8CV-77213-00	E-9	8CW-77742-00	E-13
8DM-2382F-00	C-12	8CW-2474B-00	D-4	8DM-27431-00	C-10	8DP-47532-00	D-15	8DM-77213-00	E-9	8DM-77761-S0	E-8
8CR-23821-00	C-14	8DM-2474B-00	F-11		F-11	8CR-47541-01	E-2	82H-77223-00	E-9	86D-77762-00	E-11
8DN-23823-00	C-12	8CW-2474C-00	D-4	8DM-27441-00	C-10	8CW-47543-02	E-2	8CR-77225-00	F-2	8DM-77763-S0	E-8
8DF-23826-10	C-15	8DM-2474C-00	F-11		F-11	8CR-47546-00	E-2	8CR-77251-01	E-9	8CW-81800-01	E-15
8CR-23831-00	C-14	8DM-2474F-00	F-10	85L-28100-00	E-11	8CR-47550-00	D-10	8DJ-77261-00	C-9	8CW-81811-00	E-15
8DN-23832-00	C-12	8DM-2474G-00	F-10	8DX-28199-S4	E-11	8CR-47550-10	D-10	8DJ-77262-00	C-9	8CW-81812-00	E-15
8CR-2384E-02	C-12	8CW-2474H-01	D-4	8AC-4631K-00	D-12	8DF-47550-01	D-10	8CR-77263-00	C-9	8L6-81813-50	E-15
8CR-2384F-02	C-12	8DM-2474H-10	F-10	8CC-47110-01	D-9	8CR-47558-01	E-2	8CR-77265-00	C-9	3GD-81826-00	E-15
80Y-23843-00	D-8	8CW-2474J-01	D-4	8EA-47113-00	D-9	8CW-47564-00	E-3	8CR-77266-00	C-9	73A-81829-00	E-15
J45-23845-00	E-5	8DM-2474J-10	F-10	8EA-47115-30	D-9	8CW-47571-00	E-3	8CR-77267-01	C-9	73A-81829-50	E-15
8CR-23845-00	C-14	8DM-2475X-00	F-11	8H8-47320-00	D-10	8K4-47577-00	D-15	8CR-77269-00	C-10	8CW-81832-00	E-15
8CR-23847-00	C-14	8DM-2476U-00	F-11	87M-47320-00	D-10	8CW-47578-00	E-11	8CR-77271-00	C-10	8CW-81833-00	E-15
87S-23847-00	C-14	8DM-2476V-00	F-11		D-9	8CW-47587-90	E-3	8DJ-77272-00	E-6	8L6-81834-50	E-15
8CR-2385L-00	C-13	8DM-24760-00	F-10	8CV-47331-01	D-11		G-2	8DJ-77273-00	E-7	8L6-81835-50	E-15
8CR-23851-00	C-11	8DM-2477F-00	F-10	8CR-47332-10	D-12	8CW-47591-00	E-4	8DJ-77275-00	E-6	8CW-81836-00	E-15
8CR-23852-00	C-11	8DM-2477R-00	F-10	8CM-47341-00	D-9	8CR-47612-00	E-2	8CR-77276-00	E-6	8CW-81840-00	E-15
8CW-2386E-00	C-13	8CW-2479H-00	D-4	8DF-47367-00	D-13	8CR-47613-00	E-2	8DJ-77276-00	E-13	4H7-81843-50	E-15
8CW-2386G-00	C-13		F-10	8V0-4741B-00	D-9	8CR-47631-01	C-4	8DJ-77277-00	E-13	4H7-81844-50	E-15
8CR-2386H-00	C-13	8CW-2479L-00	D-4	8DX-47411-00	D-9	8DP-47700-00	F-2	8DJ-77278-00	E-6	73A-81847-00	E-15
8DF-23867-00	D-2	8CW-24790-10	D-4	8DX-47412-00	D-9	8K4-47715-00	F-2	8DJ-77311-00	E-11	8L6-81847-50	E-15
8CR-23870-10	D-2	8DM-24790-00	F-10	8CR-47415-00	D-11	8CR-77109-00	E-7	8CR-77315-00	E-11	8BB-8185A-00	E-15
8CJ-23872-00	C-14	8DM-24796-00	F-11	8CR-47416-10	D-12	8DX-77111-10	E-6	8CR-77319-00	E-11	8CW-81850-00	E-15
8CR-23872-00	C-14	8CW-24797-00	D-4	8CR-47417-01	D-12	8DJ-77118-00	E-6	8CR-77338-00	E-11	4H7-81872-00	E-15
8CR-23881-00	D-2	89Y-24897-00	E-12	8EA-47418-00	D-11	8CR-77125-00	E-9	8CY-77351-00	C-10	8AB-81910-00	F-6
1UY-23894-01	C-14	8CR-2516A-00	C-12	8CM-47419-10	D-9	8CR-77126-00	E-9	8CY-77352-00	C-10	3EL-81940-00	F-8
8DJ-24111-00	D-3	8DJ-25730-00	D-6	8CM-47419-20	D-9	8CR-77128-00	C-8	8DX-77353-10	E-8	8CY-81952-00	F-8
8DF-2412G-00	C-15	8DJ-25740-00	D-6	8CW-47421-20	D-9	8CR-77131-00	E-6	8DX-77354-10	E-8	8CR-81960-00	F-6
8AC-2414B-01	E-8	8DJ-2580T-00	D-5	8CM-47422-10	D-9	8CR-77132-00	E-6	8DX-77355-10	E-8	8DX-82105-00	E-15
8CR-2418A-00	D-3	8DJ-2581T-00	D-5	8CW-47425-00	D-12	8DJ-77133-00	E-6	8DX-77356-10	E-8	5E3-82110-81	F-8
8CR-24301-00	D-3	55U-25854-00	D-5	8CR-47448-00	D-11	8CR-77134-00	E-6	8DX-77357-10	E-8	8DY-82115-00	F-8
8CR-24311-10	D-3	8CR-25867-00	D-5	8CR-4745A-01	D-13	8CR-7714A-00	E-7	8DX-77358-00	E-8	84N-82122-00	F-8
8CR-24335-00	D-3	8DF-25872-10	D-6	8CR-4745B-00	D-13	8CR-77140-00	E-7	8CY-77371-00	C-13	8DX-82129-00	F-8
8CR-24410-01	B-8	3LC-25885-00	D-6	8CM-47457-00	D-9	8CY-77141-30	E-8	8CY-77372-00	C-13	8CY-82131-00	F-8
8H5-24560-00	D-3	8DF-25886-00	D-7	8AX-47458-00	D-9	8DX-77142-10	E-8	8CR-77384-00	E-11	8CW-82176-00	F-8
8CR-24610-00	D-3	8CR-2589F-00	D-5	8CR-47465-00	D-11	89A-77159-00	E-6	8DJ-77441-00	E-6	8DJ-82310-00	F-6
8CW-24612-00	D-3	8CR-2589H-00	D-5	8V0-47468-00	D-9	8CR-77165-00	C-10	8DJ-77442-00	E-6	8CW-8235W-01	F-8
8CT-2470F-30	F-12	8CR-25919-00	D-5	8CY-47475-01	D-12	8DJ-7717E-00	E-6	8CR-77511-00	E-12	8K1-82370-20	F-6

NUMERICAL INDEX

PART NO.	GRID NO.	PART NO.	GRID NO.	PART NO.	GRID NO.	PART NO.	GRID NO.	PART NO.	GRID NO.	PART NO.	GRID NO.
8V0-82372-00	F- 6	86R-85110-00	F- 9	90109-083G2	C- 4	90201-06557	E- 6	90202-09227	G- 4	90267-48177	E- 11
8AB-82510-00	F- 6	3Y6-85130-02	F- 9	90110-05227	B- 7		E- 9	90202-12236	F- 10	90267-48182	E- 6
8CR-82530-01	D- 5	8DM-85370-00	F- 11	90113-06064	C- 4	90201-06747	D- 11	90202-16229	D- 13		E- 7
8AU-82575-09	F- 5	8DX-85510-00	E- 14		D- 15	90201-06778	E- 5	90202-16230	D- 13	90267-48194	D- 9
526-82579-00	F- 6	8DJ-85540-00	F- 6	90119-05001	B- 8	90201-08100	B- 2	90208-22001	E- 2	90267-48199	D- 9
87S-8259A-00	B- 11	8DJ-85550-00	E- 14	90119-06182	B- 9	90201-083A8	D- 4	90209-24073	B- 3	90269-05039	E- 7
8DX-82590-00	F- 6	8CR-85720-01	F- 6	90149-06330	D- 3	90201-08403	D- 6	90210-06006	E- 3	90269-05051	B- 6
8BK-82720-00	F- 5	8CR-87283-00	F- 6	90150-05024	E- 9	90201-086A3	D- 4	90210-08017	E- 3	90269-06046	F- 3
J51-82817-00	E- 4	8AB-87284-00	F- 6	90150-05040	C- 4	90201-086P8	C- 11	90214-17017	B- 5	90269-07076	E- 7
8DM-82917-01	F- 11	90101-06288	D- 6		F- 15	90201-08759	C- 15	90214-17018	B- 5	90269-07080	C- 8
8BK-82970-00	F- 5	90101-08774	D- 10	90150-08008	C- 3	90201-08784	C- 11	90249-06009	D- 6	90280-05014	B- 3
8CW-83383-00	F- 6	90101-10357	E- 2	90151-06010	D- 9		D- 3	90249-06012	D- 6		B- 5
8DX-83500-20	F- 2	90101-10738	D- 11	90154-05052	B- 9	90201-100L3	D- 12	90249-12227	E- 2	90281-07004	D- 5
8DJ-83509-40	F- 2		D- 13	90154-06036	F- 11		D- 9	90261-06015	F- 13	90338-30256	C- 9
5J0-83513-00	F- 2	90101-12780	C- 12	90154-06040	D- 4	90201-100S2	D- 13	90261-06017	F- 13	90338-44093	C- 9
1YT-83517-00	F- 2	90102-10044	C- 14	90154-06062	C- 4	90201-100U1	D- 13	90261-06019	F- 13	90380-08244	C- 2
4R0-83517-00	F- 2	90105-05644	C- 2	90154-06077	E- 13	90201-101U2	D- 13	90261-06028	F- 13	90380-09245	C- 2
4BE-8352K-00	F- 2		G- 3	90154-06078	E- 6	90201-101I8	D- 6	90261-06033	C- 2	90380-22232	D- 13
8DJ-8353H-40	F- 2		G- 4	90167-05043	B- 9	90201-10126	D- 14		F- 13	90380-28235	D- 13
8CR-83540-40	F- 2	90105-060A6	D- 3	90170-06289	E- 5	90201-10136	D- 12	90261-06034	F- 13	90380-28237	C- 2
8CR-83550-10	F- 2		E- 3	90170-10186	C- 14	90201-103U4	D- 13	90267-40069	C- 9		G- 4
8DX-83559-40	F- 2		E- 4	90170-16425	B- 5	90201-10321	C- 5	90267-40076	D- 8	90381-14101	D- 13
29L-83578-00	F- 2	90105-06601	E- 5		B- 4	90201-10437	F- 10	90267-47186	C- 10	90381-14109	D- 13
8CR-83580-20	F- 2	90105-06734	C- 4	90170-22094	E- 2	90201-105A2	D- 11		C- 13	90381-15112	D- 11
85G-83663-00	F- 5	90105-08094	D- 6	90176-06055	E- 6	90201-105E8	B- 7		C- 7	90381-17110	C- 12
8CR-83912-00	D- 5	90105-08345	C- 13	90176-06065	F- 11	90201-106F2	D- 13		C- 8	90381-19111	D- 11
8DN-83912-00	D- 7	90105-08466	B- 14	90179-05271	B- 9	90201-120T5	C- 12		C- 9	90381-22099	D- 12
8CR-83922-00	D- 6	90105-08485	E- 12	90179-05523	E- 9	90201-120U9	C- 5	90267-47187	C- 8	90381-25115	C- 11
8R6-83928-00	F- 5	90105-100A7	E- 3	90179-08269	B- 2	90201-121U3	C- 15		C- 9	90381-28108	D- 12
8K4-83950-01	D- 5	90105-100A9	C- 11	90179-08655	C- 4	90201-127E1	E- 2		D- 4	90384-16251	C- 11
85G-83956-00	F- 5		C- 12	90179-10670	D- 9	90201-141A3	C- 4		E- 12		D- 13
8AU-83963-00	F- 5	90105-103A1	D- 11	90179-10679	E- 2	90201-16245	E- 3		F- 10	90384-38243	C- 4
8CR-8398X-00	D- 5		D- 12	90183-05024	F- 3	90201-17713	B- 5	90267-47197	C- 7	90384-41242	C- 2
88T-8399F-00	F- 5	90105-10433	D- 11	90183-06053	E- 12	90201-205R6	D- 10		C- 8		G- 4
8CR-84310-00	F- 3		D- 12		E- 7	90201-207J5	D- 12	90267-47200	E- 12	90387-0514T	C- 2
8G9-84314-00	F- 3		D- 14	90185-10110	D- 11	90201-210U0	D- 11	90267-48015	C- 7		G- 3
8A5-84331-00	F- 3	90105-10436	D- 13	90201-047R8	D- 9	90201-222F0	C- 4	90267-48016	C- 7	90387-0514U	C- 2
8DJ-84359-00	F- 3	90105-10617	C- 9	90201-05033	C- 8	90201-225A4	C- 4		C- 9		G- 3
8CR-84366-00	F- 3	90105-10634	D- 5		C- 9	90201-250T6	D- 12	90267-48018	C- 10		G- 4
8K4-84374-00	F- 3	90105-10712	C- 11	90201-05036	F- 9	90201-251G8	D- 12		C- 8	90387-06043	D- 6
8DN-84397-00	F- 3	90105-10739	D- 13	90201-051K1	F- 11	90201-270U5	D- 5		C- 9	90387-0608T	E- 4
8CR-8471G-00	F- 6	90105-10769	D- 11	90201-06037	C- 4	90201-301G3	C- 12	90267-48051	F- 11	90387-0611K	E- 13
82M-84710-00	F- 4		D- 9	90201-06050	D- 6	90201-320S3	E- 3	90267-48057	C- 12	90387-062M9	E- 6
82M-84711-00	F- 4	90105-12006	C- 15	90201-06071	E- 13	90201-327F7	B- 3	90267-48059	E- 6	90387-06241	E- 6
838-84714-01	F- 4	90105-121A8	C- 12		E- 5	90202-08204	C- 2	90267-48095	D- 2	90387-063G3	C- 6
8K4-84718-00	F- 4	90105-127A5	C- 5	90201-06072	E- 10		G- 3	90267-48141	E- 6	90387-064W3	E- 13
8K4-84721-00	F- 4	90105-14766	C- 4	90201-061H1	C- 4	90202-09227	C- 2	90267-48169	C- 9	90387-066N1	F- 4
87M-84723-00	F- 4	90108-08002	C- 11	90201-06380	F- 2		G- 3	90267-48176	C- 7	90387-06605	E- 4

NUMERICAL INDEX

PART NO.	GRID NO.	PART NO.	GRID NO.	PART NO.	GRID NO.	PART NO.	GRID NO.	PART NO.	GRID NO.	PART NO.	GRID NO.
90387-081M9	D- 6	90464-13073	D- 8	90501-550J8	F- 14	91609-50032	C- 2	93315-21227	E- 2	95607-10100	D- 11
90387-0810F	C- 8		F- 11	90501-553G0	F- 14		G- 3	93317-21578	E- 3		D- 13
90387-083G6	D- 12		F- 6	90501-553G6	F- 14	91701-06022	E- 5	93317-33179	E- 3	95607-10200	C- 11
90387-083Y8	F- 10	90464-13077	D- 4	90501-555J9	F- 14	91701-06035	E- 4	93317-41767	C- 15		C- 12
90387-084R5	D- 6		E- 6	90501-556G5	F- 14	91701-06082	E- 11	93399-99943	C- 4		D- 11
90387-087L3	C- 13		F- 6	90501-556G6	F- 13	92017-06014	D- 6	93410-27080	D- 5		D- 14
90387-090R0	C- 14	90464-15195	F- 6	90501-556G7	F- 14	92017-08020	D- 6	93440-39175	E- 3	95607-12200	C- 13
90387-100X3	D- 13	90464-20031	F- 6	90501-557G5	F- 13	92017-10016	F- 10	93450-19052	B- 3	95607-14200	D- 10
90387-1009K	C- 12	90465-08146	C- 8	90501-557G6	F- 13	92017-10070	F- 10	93450-78091	B- 3	95617-08630	C- 4
90387-1009S	D- 13	90465-08368	B- 9	90501-581J7	F- 14	92901-06100	B- 15	93604-07141	B- 14	95617-08740	B- 2
90387-1009T	D- 11		C- 7	90501-582J1	F- 14	92907-03100	B- 8	93606-20044	E- 2	95707-05300	B- 8
90387-10090	F- 10		E- 6	90501-585J3	F- 14	92907-04100	F- 2	93700-06004	C- 12		D- 5
90387-1012H	C- 11	90465-10189	D- 8	90501-586J0	F- 14	92907-04600	F- 2		D- 13		F- 9
90387-105G5	D- 11	90467-08092	F- 8	90501-602J0	C- 2	92907-06200	D- 4	94702-00188	B- 2	95707-05500	F- 7
	D- 13	90467-09026	B- 8		F- 14		E- 4	94860-02068	E- 2		F- 9
90387-1404R	D- 13		C- 6	90501-604G0	F- 14	92907-06600	B- 15		G- 2	95707-06300	D- 11
90387-1407L	C- 4		D- 3	90501-605G7	F- 14		B- 5	94860-02070	G- 2	95707-06500	B- 8
90387-145G7	D- 11	90467-11032	B- 8	90501-605J5	F- 14		B- 6	95027-06008	F- 8		E- 7
	F- 10		D- 3	90501-606G9	F- 14		C- 2	95027-08016	C- 9		F- 4
90387-2004V	D- 10	90467-24096	B- 8	90501-607G0	F- 14		E- 14		E- 12		F- 6
90387-2008G	E- 3	90468-02025	B- 7	90501-607G3	F- 13		G- 3	95027-08030	E- 15	95707-08300	B- 7
90387-2012C	D- 10	90468-02078	D- 3	90501-607G4	F- 13	92907-08600	B- 5	95027-08080	E- 15		C- 11
90387-2012D	D- 10	90468-04092	D- 3	90506-14343	E- 4		B- 6	95301-06700	B- 15		C- 14
90387-2012E	D- 10	90468-12006	C- 14	90506-16497	B- 13		C- 14	95304-06600	E- 5		D- 15
90387-22726	D- 8	90468-12007	E- 4	90506-16518	B- 13	92907-10100	E- 3	95307-04600	F- 2		D- 3
90387-2508C	E- 3		E- 5	90506-18519	B- 13	92907-10200	C- 9	95307-06600	E- 15		D- 4
90387-2508D	E- 2	90468-18121	E- 11	90506-20272	B- 13	92907-16100	B- 5		E- 9	95707-08500	B- 2
90387-2510A	D- 12	90480-14101	C- 6	90508-291B1	D- 6		C- 3		F- 2		B- 5
90387-2511J	E- 3	90501-06022	E- 3	90508-291B2	D- 6		G- 3	95307-06700	D- 6		C- 4
90387-514Y2	D- 15	90501-066J5	E- 3	90508-500B1	F- 15	92907-16600	B- 4	95307-06800	D- 4		C- 8
90401-10159	D- 6	90501-084J0	D- 3	90508-536A9	C- 4	92990-06600	F- 6	95307-08700	D- 6		C- 9
90430-31003	C- 6	90501-08430	C- 6		F- 14	93102-35318	E- 2		F- 10		D- 11
90445-095K1	B- 8	90501-08486	C- 6	90508-556A2	F- 15	93102-35473	E- 2	95307-10600	E- 2		D- 6
90445-096K0	B- 8	90501-08668	B- 8	90508-556A7	F- 15	93103-32151	B- 3	95307-10700	C- 14		E- 12
90445-116K1	B- 8		D- 3	90560-08251	D- 4	93103-32155	B- 3	95314-14600	C- 12		F- 10
90445-226J7	B- 8	90501-124L0	F- 3	91A20-05115	D- 3	93210-12131	E- 4	95317-12600	C- 12	95707-10300	C- 14
90460-68230	B- 8	90501-326J6	E- 3	91A30-03030	B- 7	93210-191A1	B- 7	95607-04100	E- 4		D- 14
90461-05003	C- 7	90501-481J1	F- 13	91A30-05048	C- 6	93210-25071	E- 3	95607-05200	C- 2	95707-10500	C- 14
90461-06142	C- 7	90501-487G8	F- 13	91A30-05085	C- 6	93306-00444	D- 10		G- 3		C- 5
90461-08113	F- 8	90501-507G2	F- 13	91316-06022	D- 5		D- 9		G- 4		C- 9
90461-12145	B- 14	90501-507G7	F- 13	91401-20020	C- 11	93306-20315	B- 5	95607-06200	E- 10	95807-06010	F- 6
90462-05059	C- 7	90501-521J6	F- 14	91401-25020	C- 14	93306-20402	E- 2		E- 4	95807-06012	B- 15
90462-08244	C- 6	90501-524G4	F- 14	91401-30025	D- 10	93306-20589	D- 15		E- 5	95807-06014	B- 5
90462-10242	E- 15	90501-524G5	F- 14	91490-20015	D- 6	93306-20592	E- 2		F- 8		F- 8
90462-10243	B- 8	90501-525J8	F- 14	91609-30006	B- 14	93306-28203	B- 3	95607-08200	C- 13	95807-06016	E- 12
90464-09M31	F- 6	90501-526G4	F- 13	91609-30010	D- 8	93306-38201	B- 3		C- 8		E- 7
90464-13073	C- 6	90501-526J9	F- 14	91609-40022	E- 4	93310-218A6	B- 3		D- 12		F- 6
	D- 3	90501-527G1	F- 13	91609-50022	E- 4	93310-524P8	B- 3		D- 9	95807-06025	B- 6

NUMERICAL INDEX

PART NO.	GRID NO.	PART NO.	GRID NO.	PART NO.	GRID NO.	PART NO.	GRID NO.	PART NO.	GRID NO.
95807-06040	D - 4	97707-40014	F - 2						
95807-08014	D - 4	97707-40016	F - 11						
	F - 10	97707-50016	D - 4						
95807-08016	D - 4		E - 9						
95807-08020	C - 8	97707-50020	C - 10						
95807-08040	C - 8		F - 11						
95817-06016	C - 5	97780-60125	F - 6						
95817-06020	B - 8	97880-06020	F - 6						
95817-06035	B - 2	98507-03008	B - 8						
95817-08020	B - 13	98507-05014	E - 14						
	C - 5	98507-06012	B - 14						
	D - 11	98507-06014	B - 5						
	D - 12	98507-06025	E - 14						
95817-08040	B - 14	98517-04012	F - 2						
95817-08065	B - 14	98706-04012	D - 5						
	B - 5	98907-04016	E - 4						
95817-10025	C - 5	98907-06012	E - 13						
	D - 11	98907-06014	E - 7						
95817-10055	C - 11	98907-06025	B - 6						
95827-06016	D - 2	98907-06035	F - 11						
95827-06025	C - 6	99001-04600	F - 5						
	E - 4	99009-12400	E - 2						
95827-06035	E - 4		E - 4						
95827-06040	E - 4	99009-20400	D - 10						
95827-08016	D - 2	99009-40500	B - 5						
95827-08030	E - 2	99009-42500	D - 10						
95827-08220	D - 12		D - 9						
95827-10060	E - 2	99009-52500	E - 2						
95827-10065	C - 9	99246-00100	E - 8						
97007-05020	F - 7	99530-12016	B - 14						
97007-06014	B - 15								
97007-06025	D - 11								
97007-08014	E - 3								
97017-06030	C - 2								
	G - 3								
97027-08025	B - 6								
97027-08040	B - 5								
97027-08055	B - 5								
	C - 11								
	C - 14								
97027-08100	C - 11								
97027-10014	F - 10								
97027-10025	D - 13								
97701-40130	F - 4								
97706-30620	F - 5								
97706-30630	F - 5								
97707-40008	F - 10								
97707-40012	F - 11								

CONTENTS

ENGINE

CYLINDER HEAD	B2
CRANKSHAFT. PISTON	B3
AIR SHROUD. FAN	B5
OIL PUMP	B7
INTAKE	B8
CARBURETOR	B10
EXHAUST	B13
CRANKCASE	B14
STARTER	B15

DRIVE

PRIMARY SHEAVE	C2
SECONDARY SHEAVE	C4

BODY

ENGINE BRACKET	C5
OIL TANK	C6
FRAME	C7
SKI	C11
STEERING	C14
STEERING GATE	D2
FUEL TANK	D3
SEAT	D4
BRAKE	D5
CONTROL CABLE	D8
TRACK SUSPENSION 1	D9
TRACK SUSPENSION 2	D11
TRACK DRIVE 1	D15
TRACK DRIVE 2	E2
SHROUD	E6
EMBLEM	E8
WINDSHIELD	E9
REAR VIEW MIRROR	E10

GUARD. LUGGAGE BOX	E11
BUMPER	E12
INSTRUMENT PANEL	E13

ELECTRICAL

GENERATOR	E14
STARTING MOTOR	E15
METER	F2
HEADLIGHT	F3
TAILLIGHT	F4
HANDLE SWITCH. LEVER	F5
ELECTRICAL 1	F6
ELECTRICAL 2	F8
ELECTRICAL 3	F9
ALTERNATE (BODY/RIG)	F10
ALTERNATE (BODY/RIG)	F12
ALTERNATE (DRIVE SETTING 1)	F13
ALTERNATE (DRIVE SETTING 2)	G2
ALTERNATE (DRIVE)	G3
ALTERNATE (DRIVE)	G4

INDEX

NUMERICAL INDEX	M1
-----------------------	----